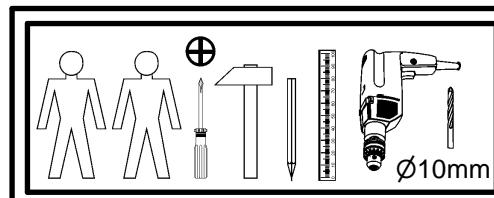
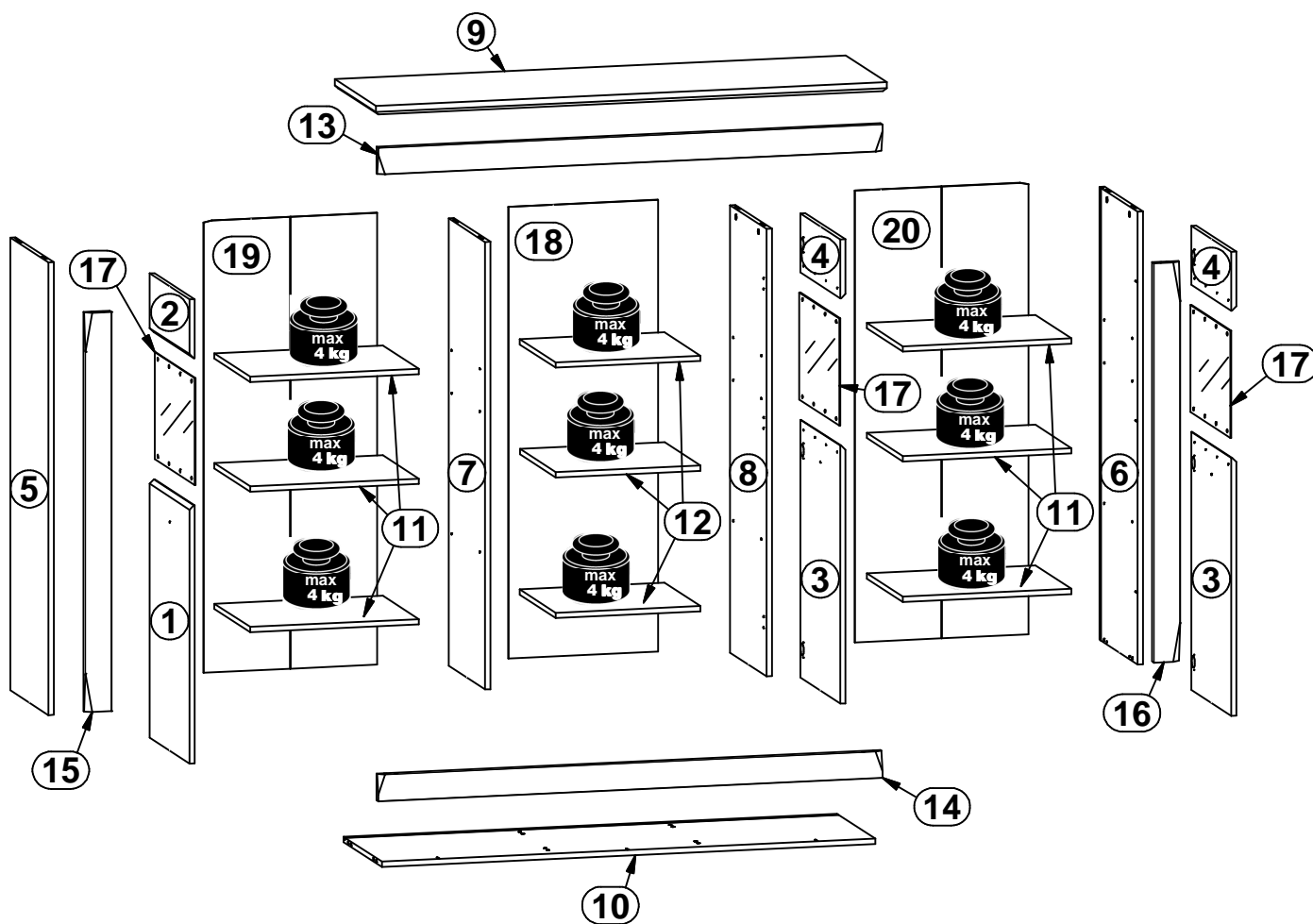
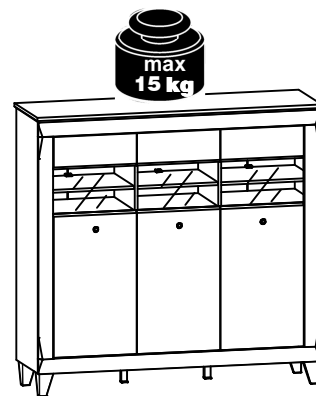
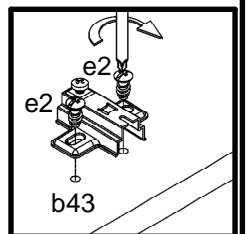
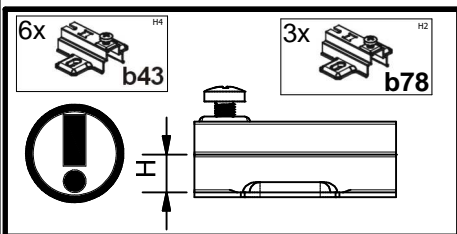
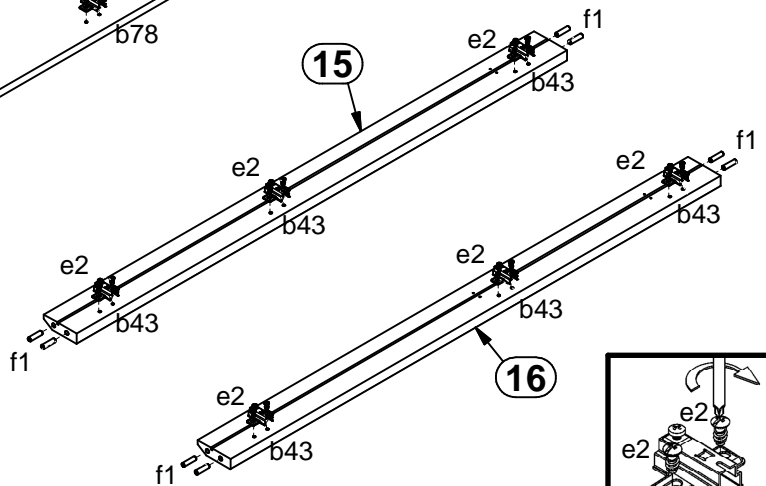
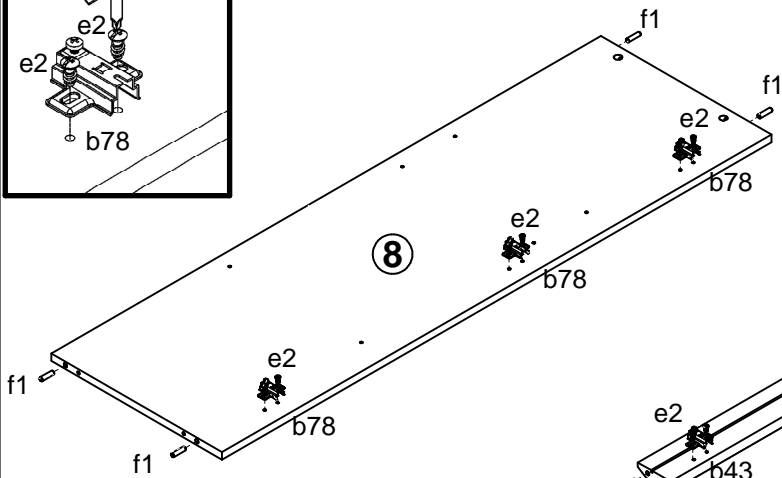
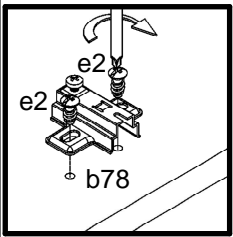
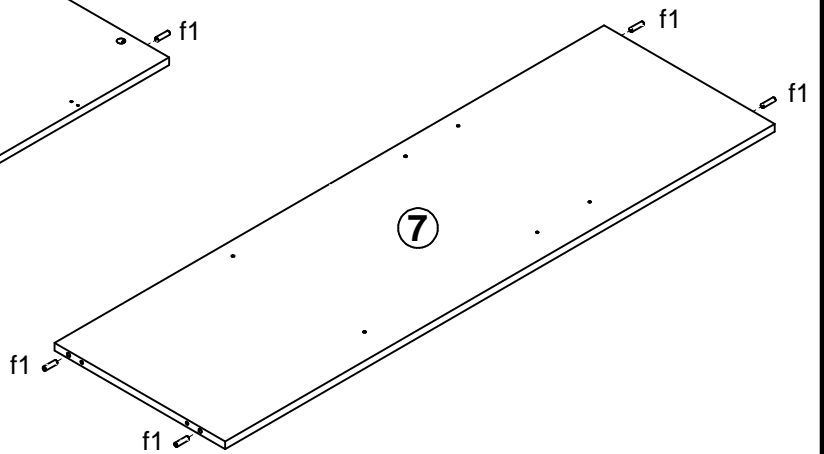
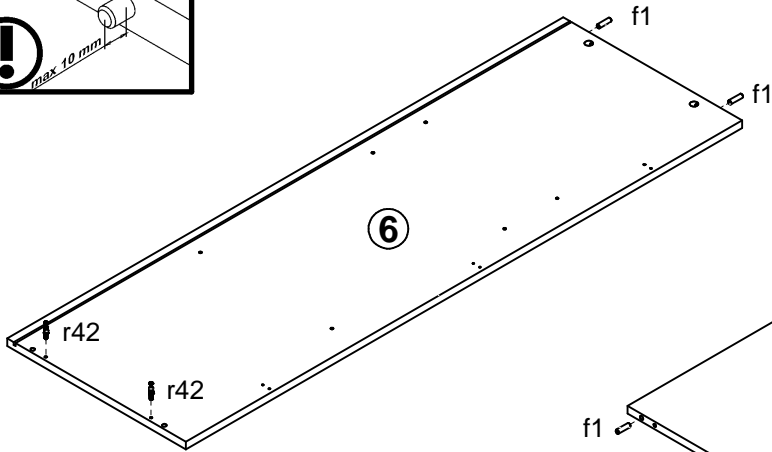
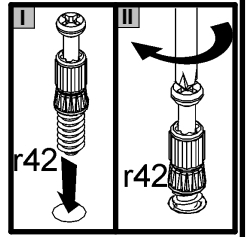
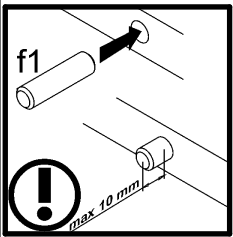
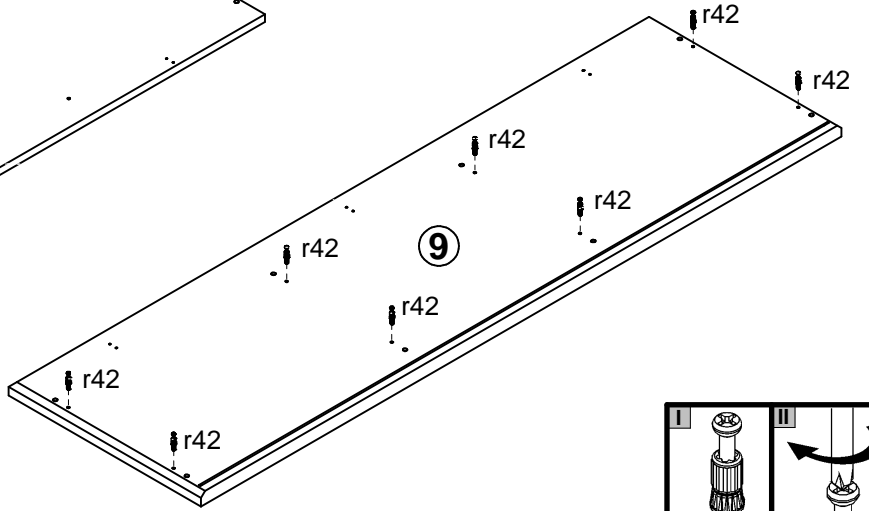
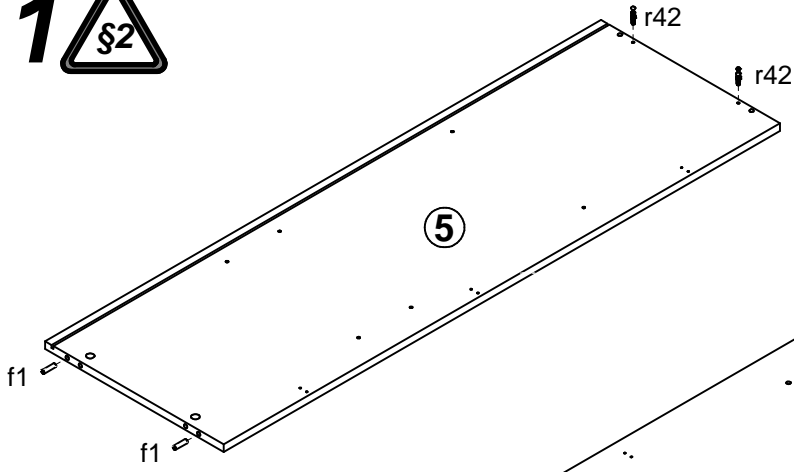


A	B	C	D	A	B	C	D		
1	S359-0032	771	455	5/6	11	S359-3021	514	409	2/6
2	S359-0033	455	176	5/6	12	S359-3022	441	409	1/6
3	S359-0034	771	455	5/6	13	S359-5011	1537	80	3/6
4	S359-0035	455	176	5/6	14	S359-5012	1537	80	3/6
5	S359-1041	1353	435	1/6	15	S359-5033	1193	80	3/6
6	S359-1042	1353	435	1/6	16	S359-5034	1193	80	3/6
7	S359-1043	1337	415	1/6	17	S359-5035	455	320	4/6
8	S359-1044	1337	415	1/6	18	S359-9013	1350	456	2/6
9	S359-2015	1558	468	2/6	19	S359-9309	1350	529	1/6
10	S359-3007	1504	435	2/6	20	S359-9310	1350	529	1/6

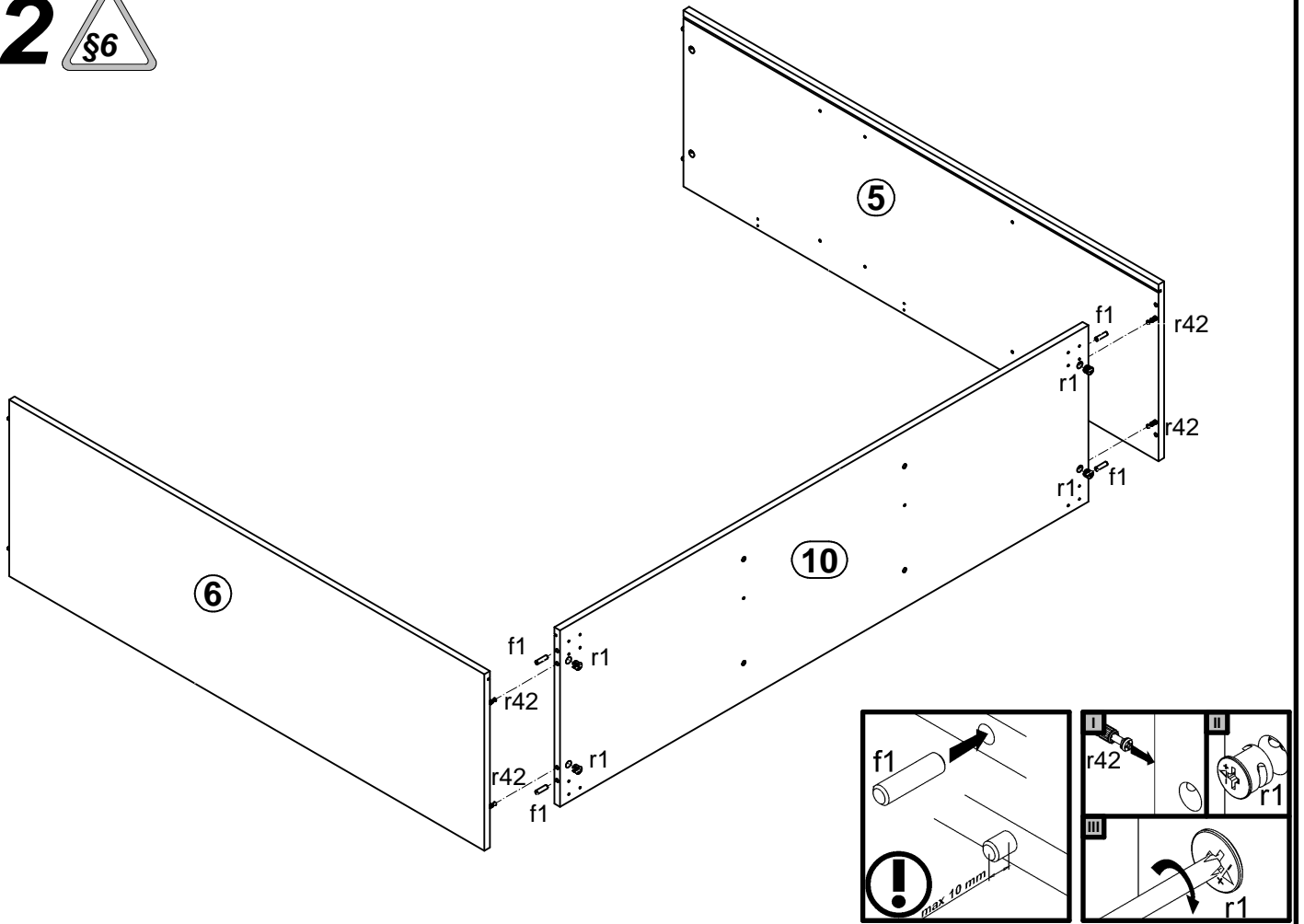


6x  a132	3x  a133	3x  a159	6x  b43	3x  b78	3x  c415	36x  d1	12x  d37	4x  e1
20x  e2	24x  e41	12x  e58	24x  f1	3x  j1	4x  k125	2x  k3813	2x  k3817	18x  l2
12x  n108	3x  o114	24x  o54	56x  p38	18x  p51	12x  p55	12x  r1	12x  r42	1x  o70/5
8x  s68	1x  z1							

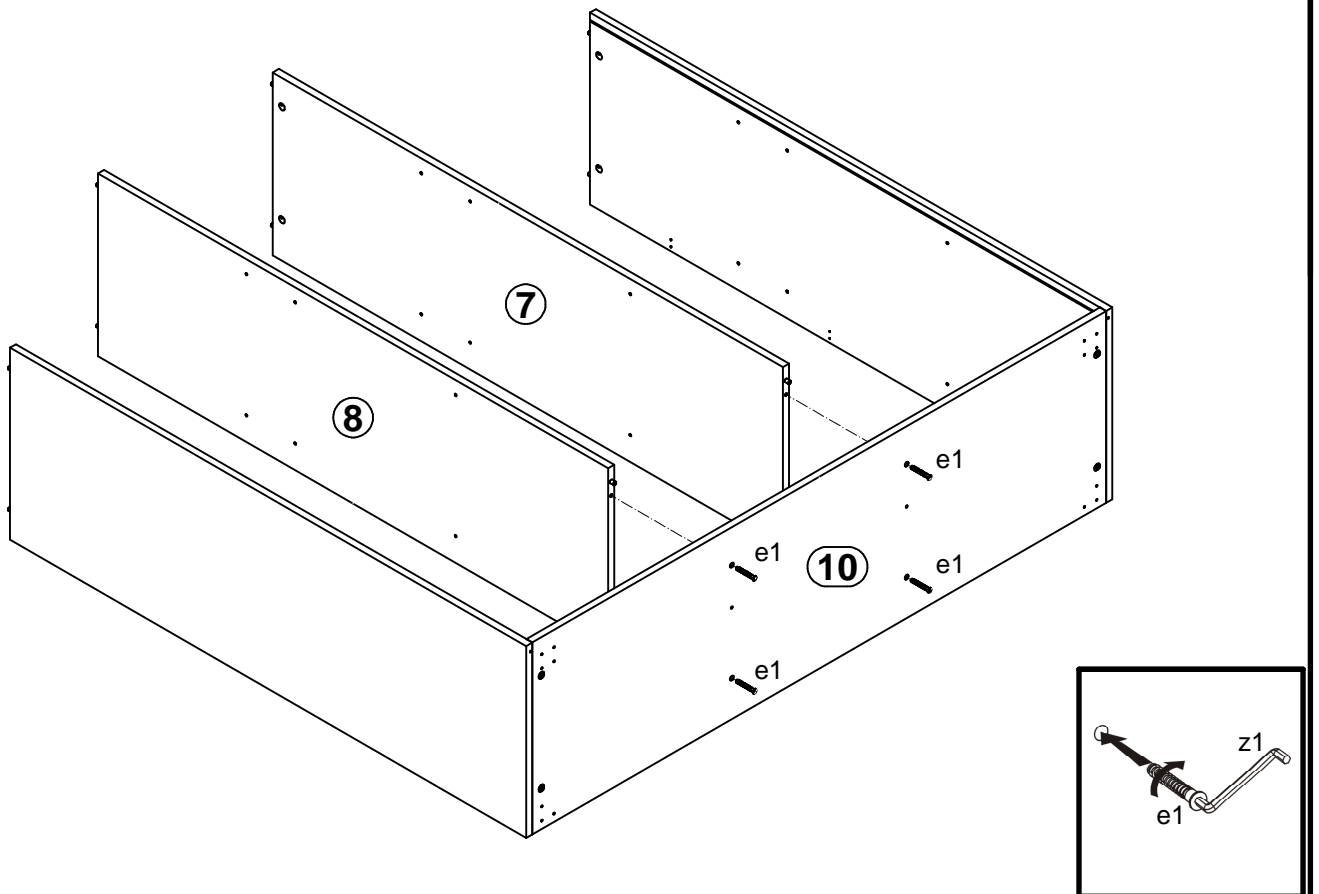
1 



2 

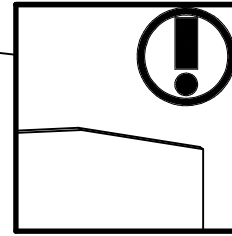
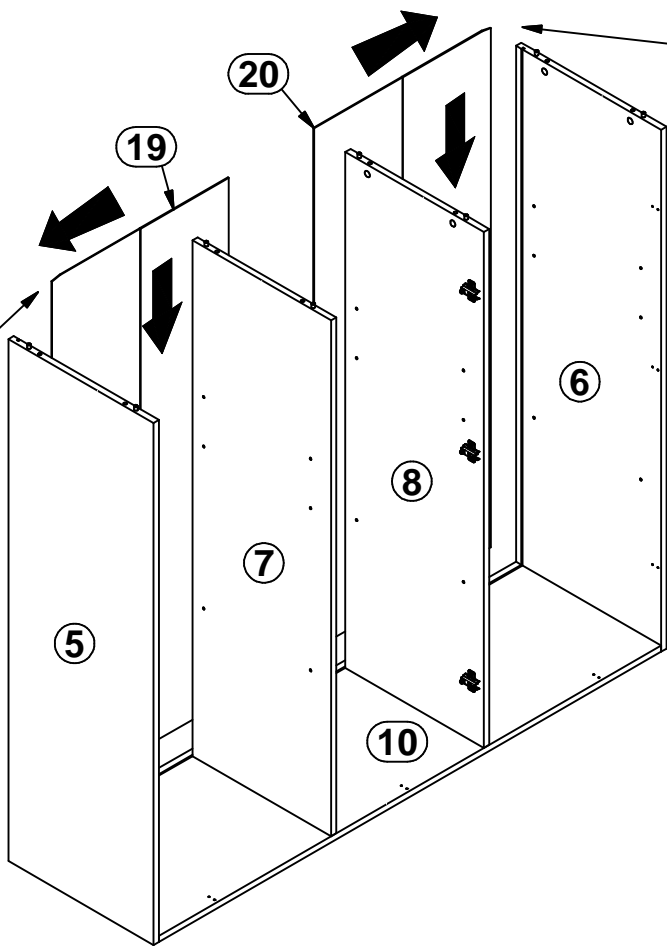
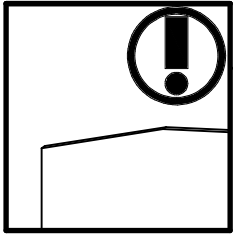


3

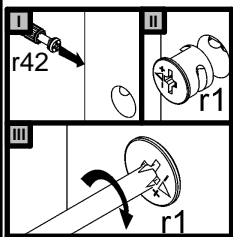
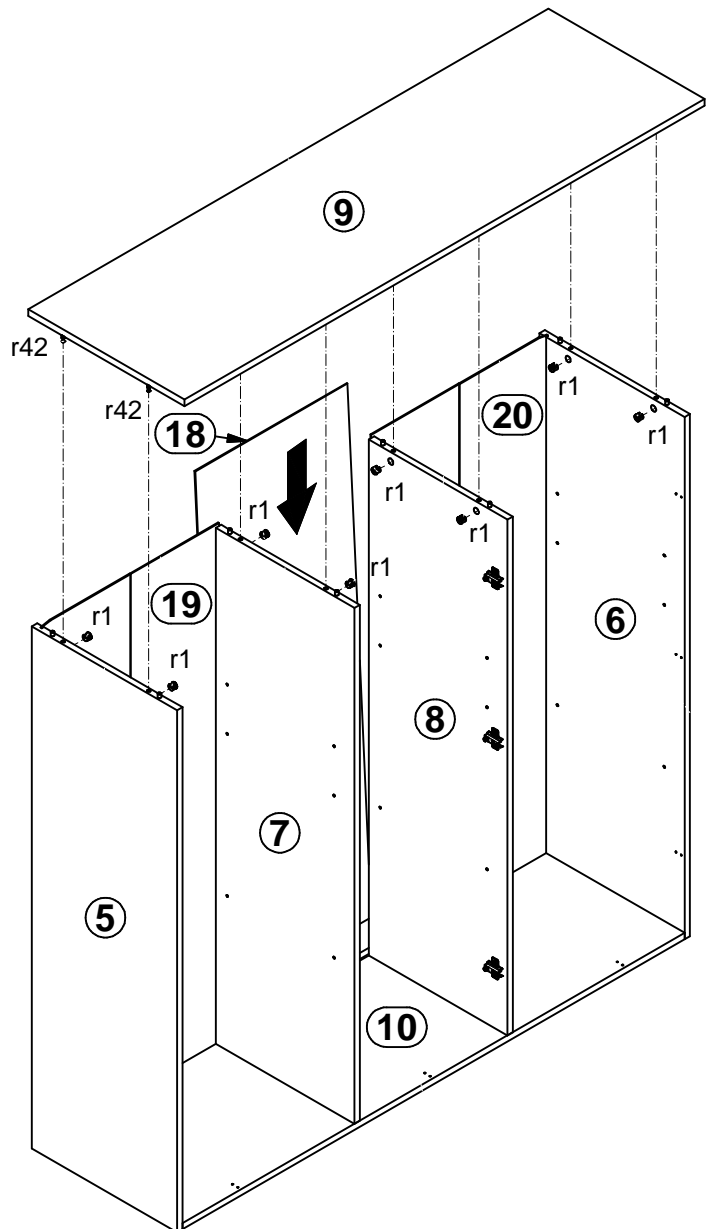


# 4

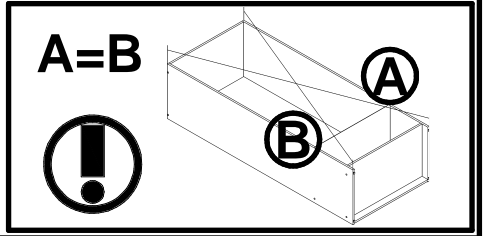
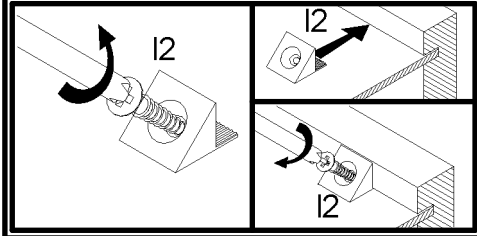
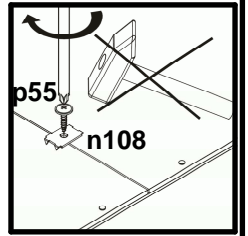
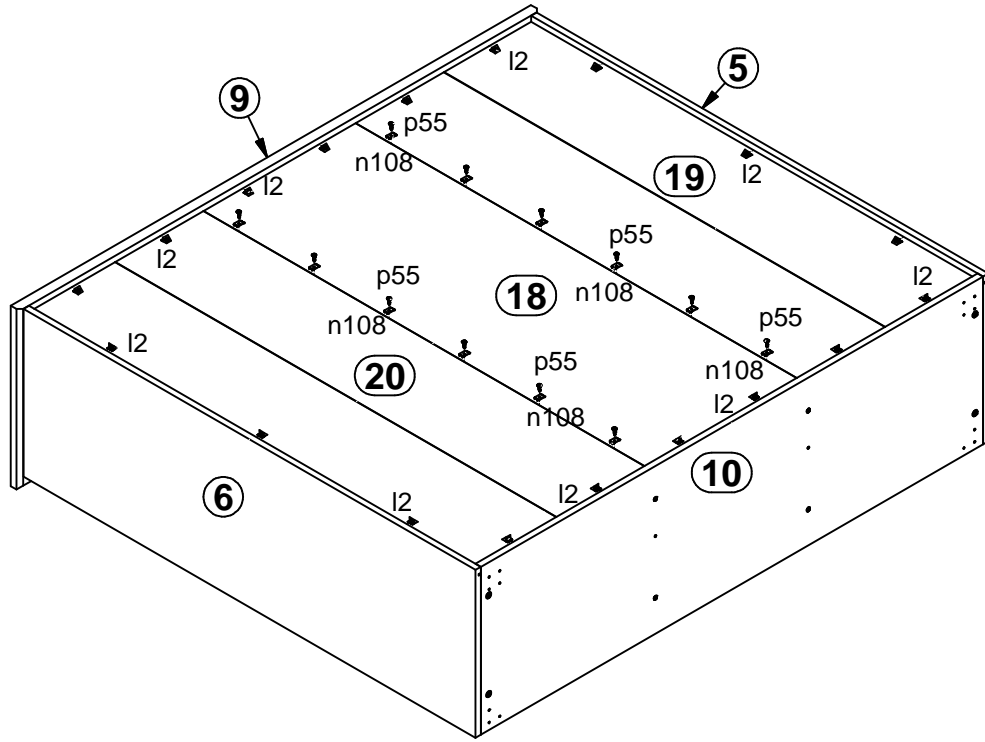
I



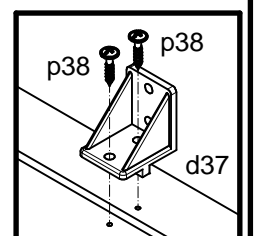
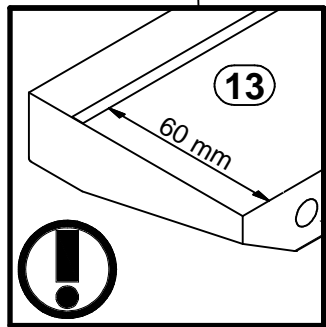
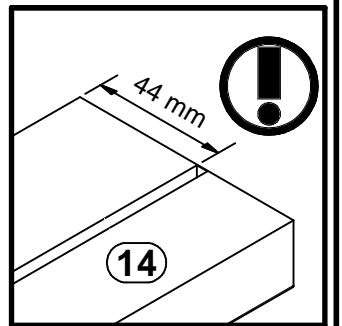
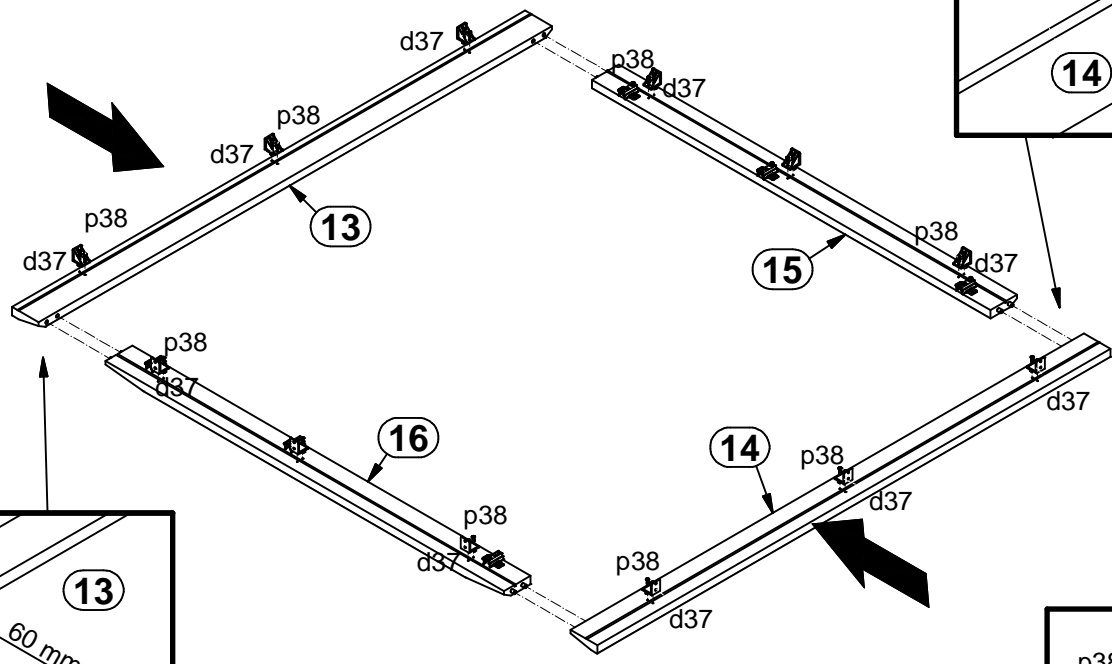
II



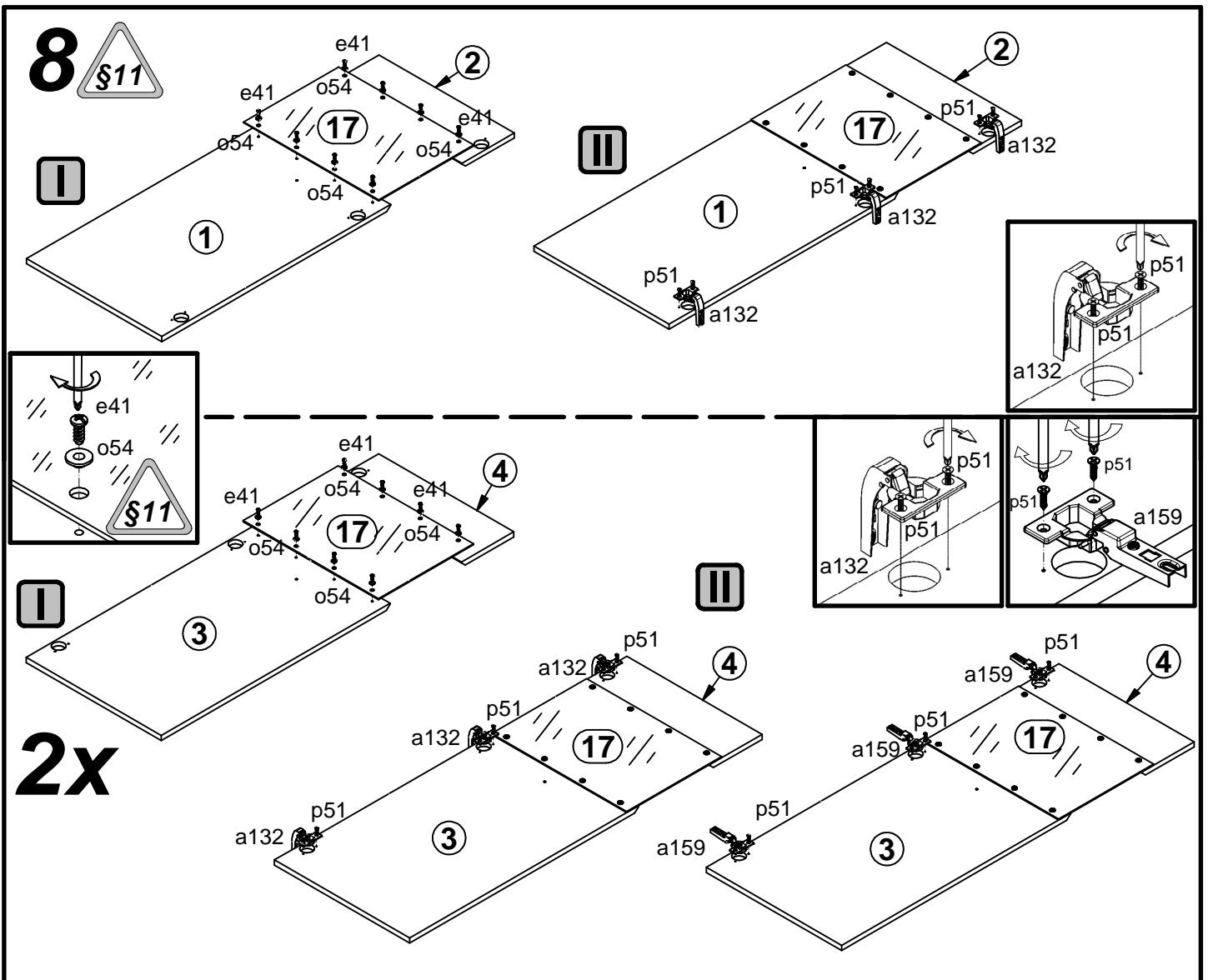
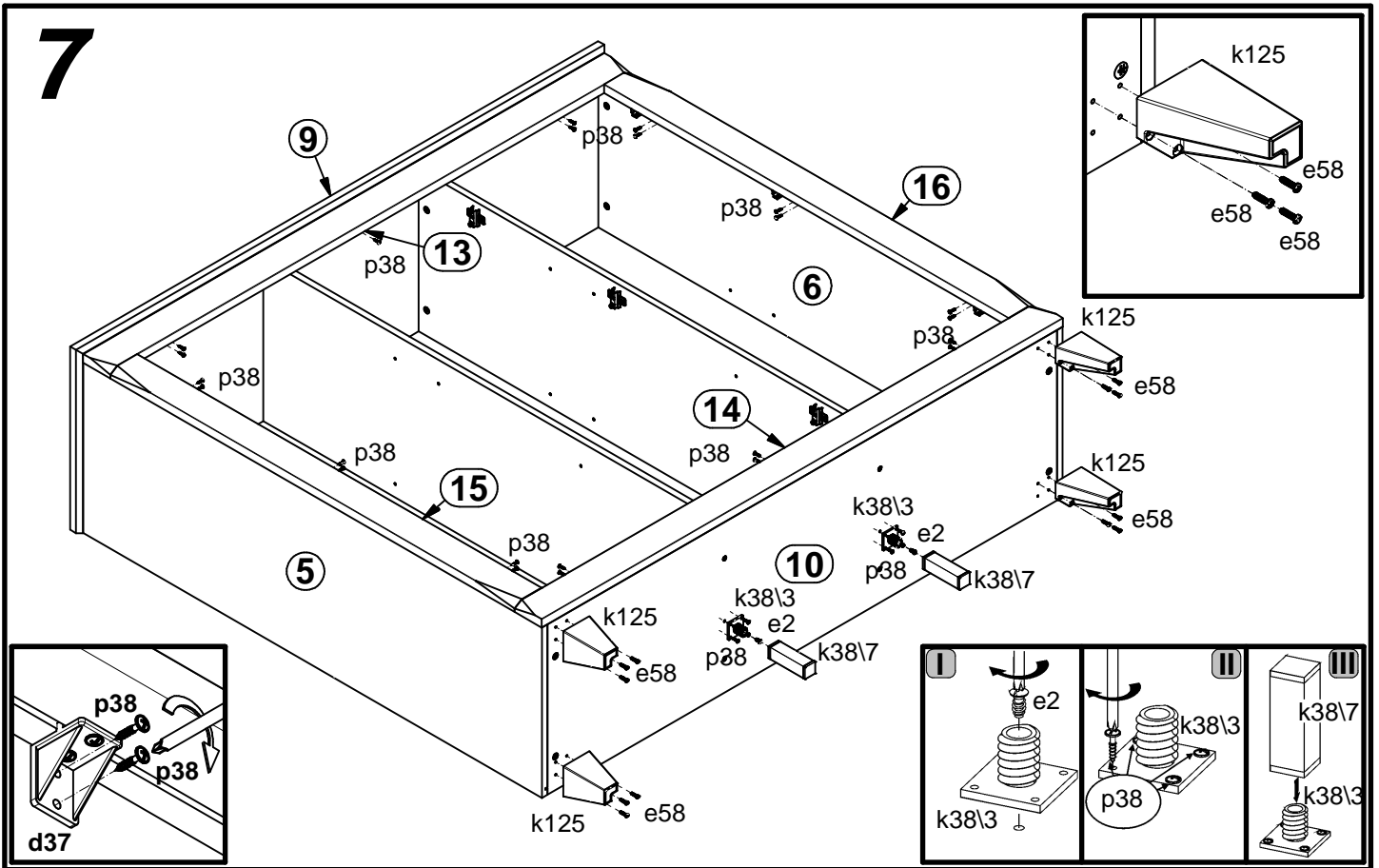
# 5



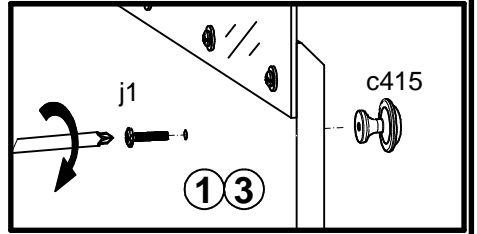
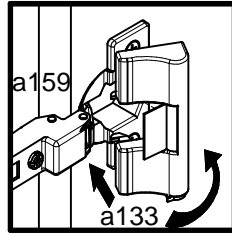
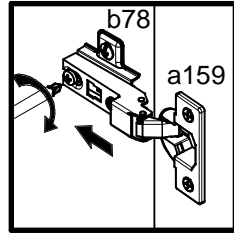
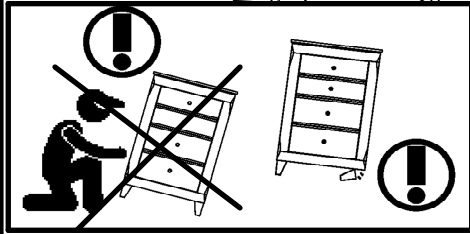
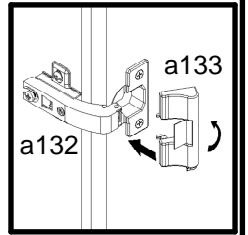
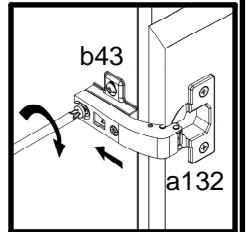
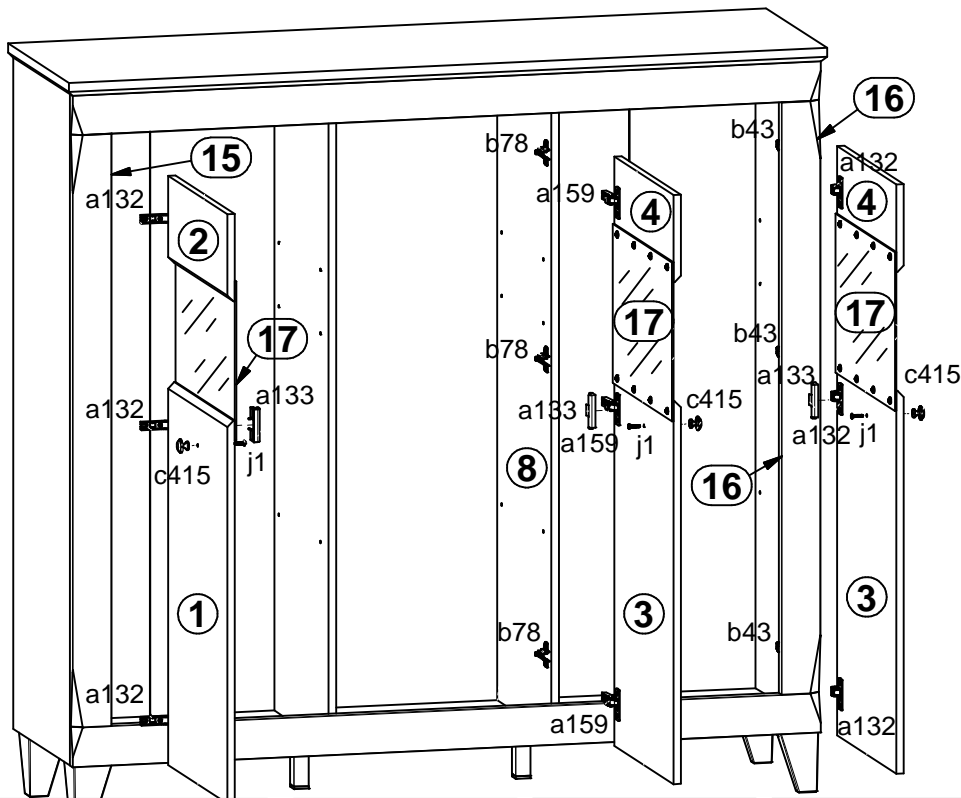
# 6



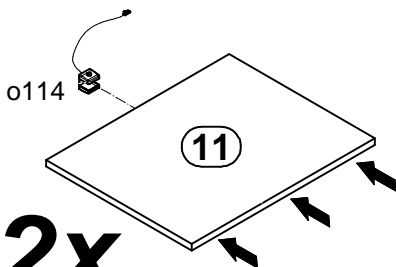
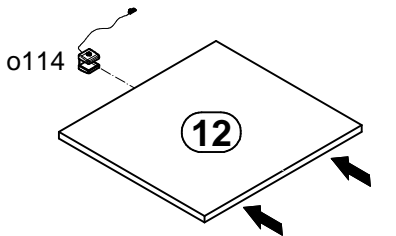
# 7



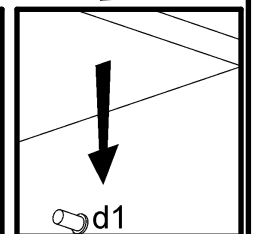
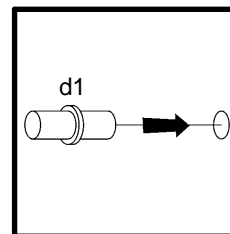
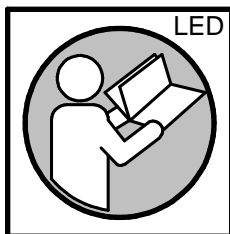
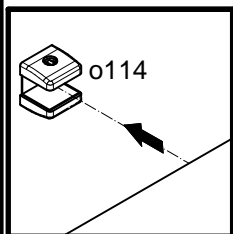
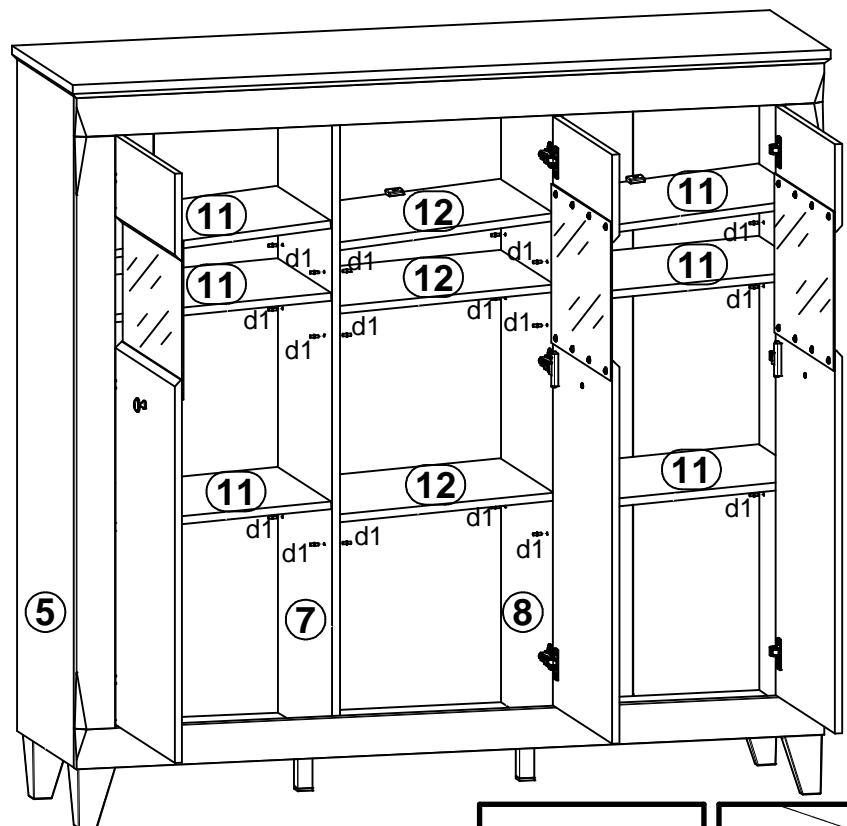
# 9



# 10



2x



# 11

