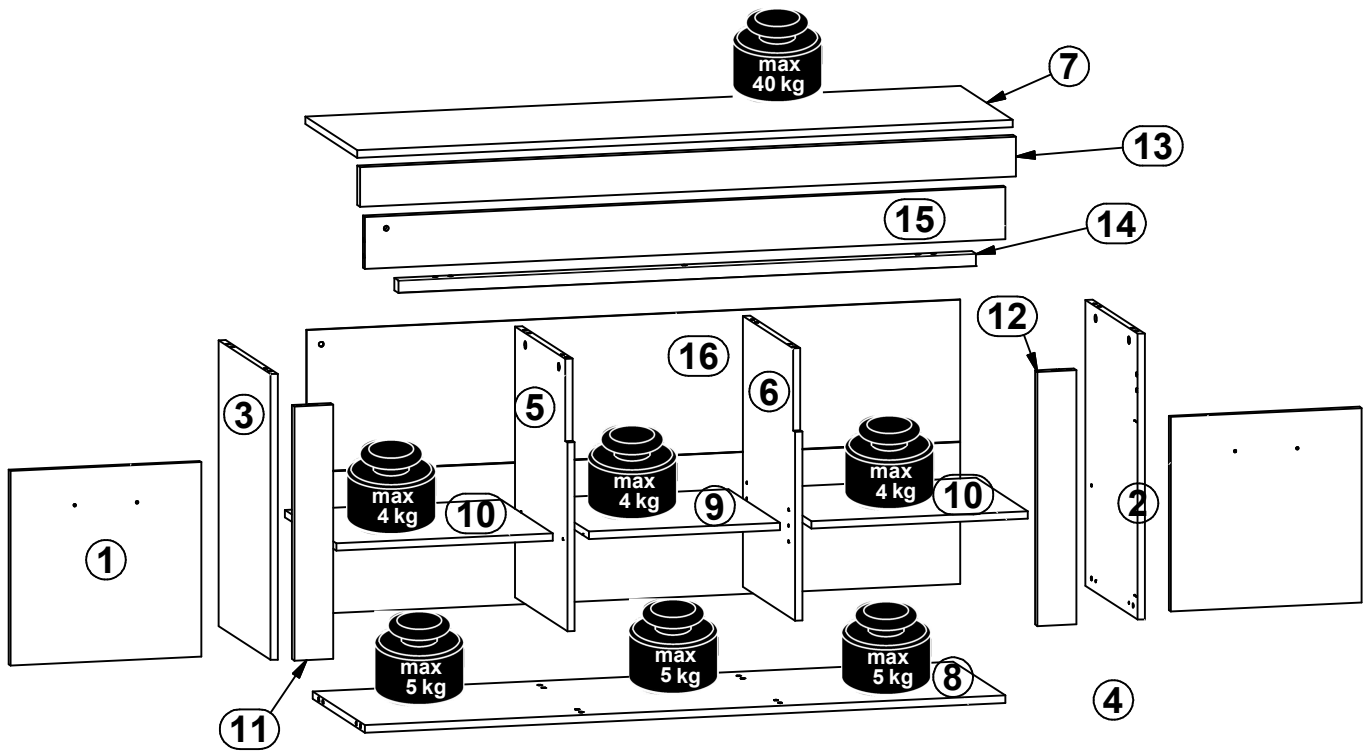
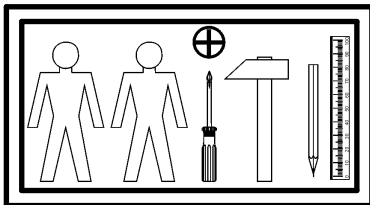
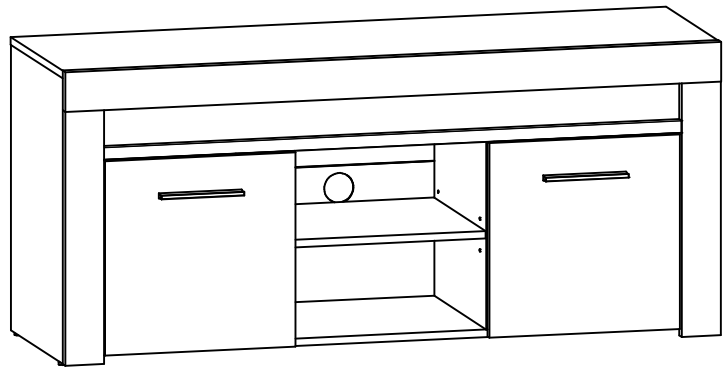
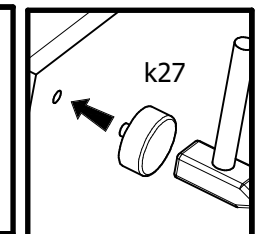
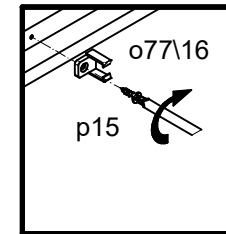
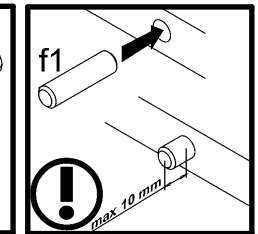
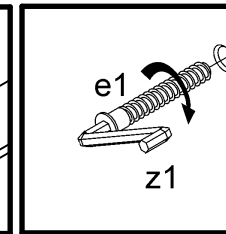
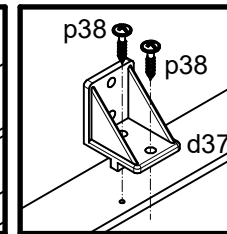
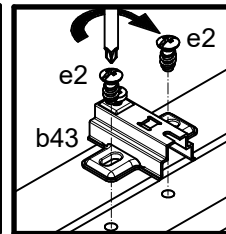
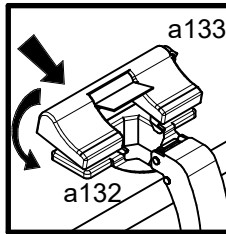
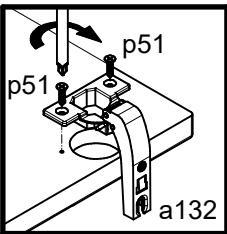
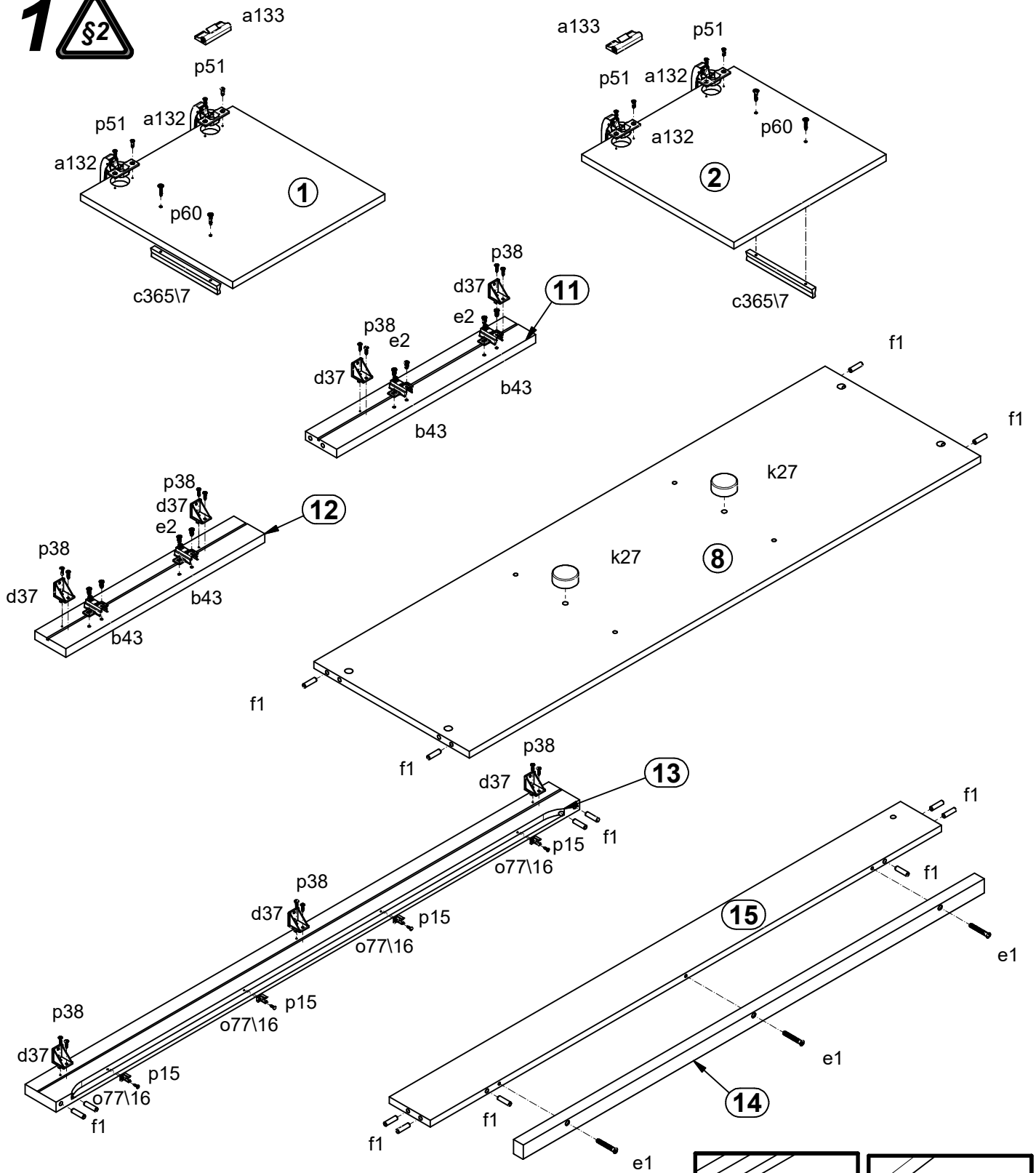


A	B	C	D
1	S415-0001	392	392
2	S415-0002	392	392
3	S415-1001	576	400
4	S415-1002	576	400
5	S415-1003	546	400
6	S415-1004	546	400
7	S415-2001	1347	400
8	S415-3001	1316	400
9	S415-3002	393	395
10	S415-3003	445	395
11	S415-5001	512	80
12	S415-5002	512	80
13	S415-5008	1348	80
14	S415-5009	1187	32
15	S415-5010	1316	105
16	S415-9301	1343	573

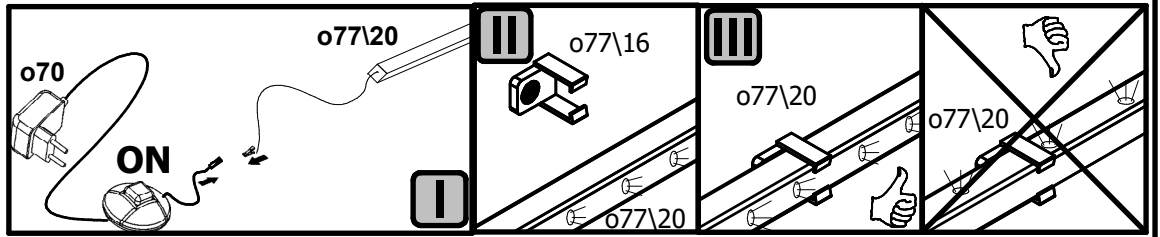
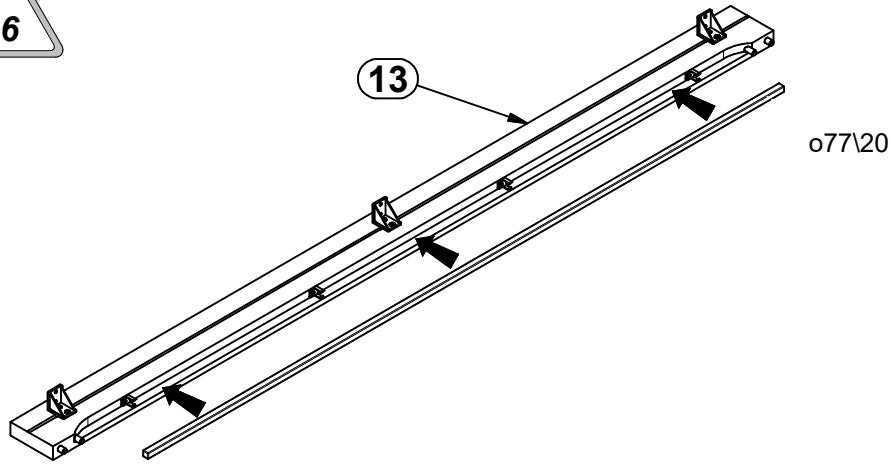


4x a132	2x a133	4x b43	2x c36517 L=170	12x d1 Ø5x17 mm	7x d37	7x e1 Ø7x50 mm	8x e2 Ø6.3x13 mm	26x f1 Ø8x30 mm
4x k1	2x k27	50x l1 1.4x20 mm	1x o7019 Ø70x19 mm	1x o77120 L=190 mm 10x10 mm	4x o77116	1x o8314 10x18 mm	29x p38 Ø3.5x16 mm	8x p51 Ø3.5x15 mm
4x p15 Ø2.5x13 mm	4x p60 Ø4x22 mm	12x r1 Ø15x12 mm #16	12x r42 20/11	3x s1	1x z1 4 mm	1x n26		

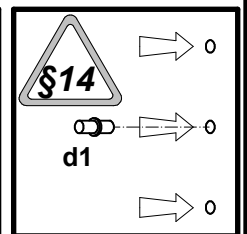
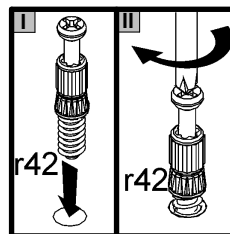
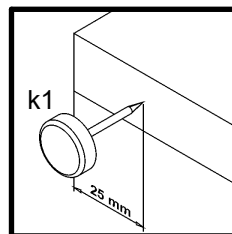
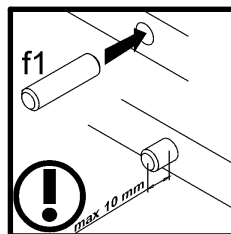
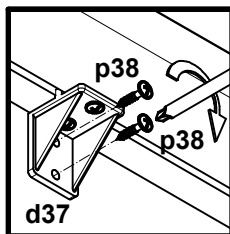
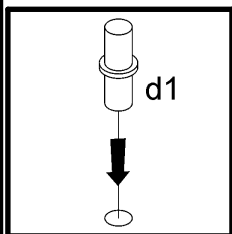
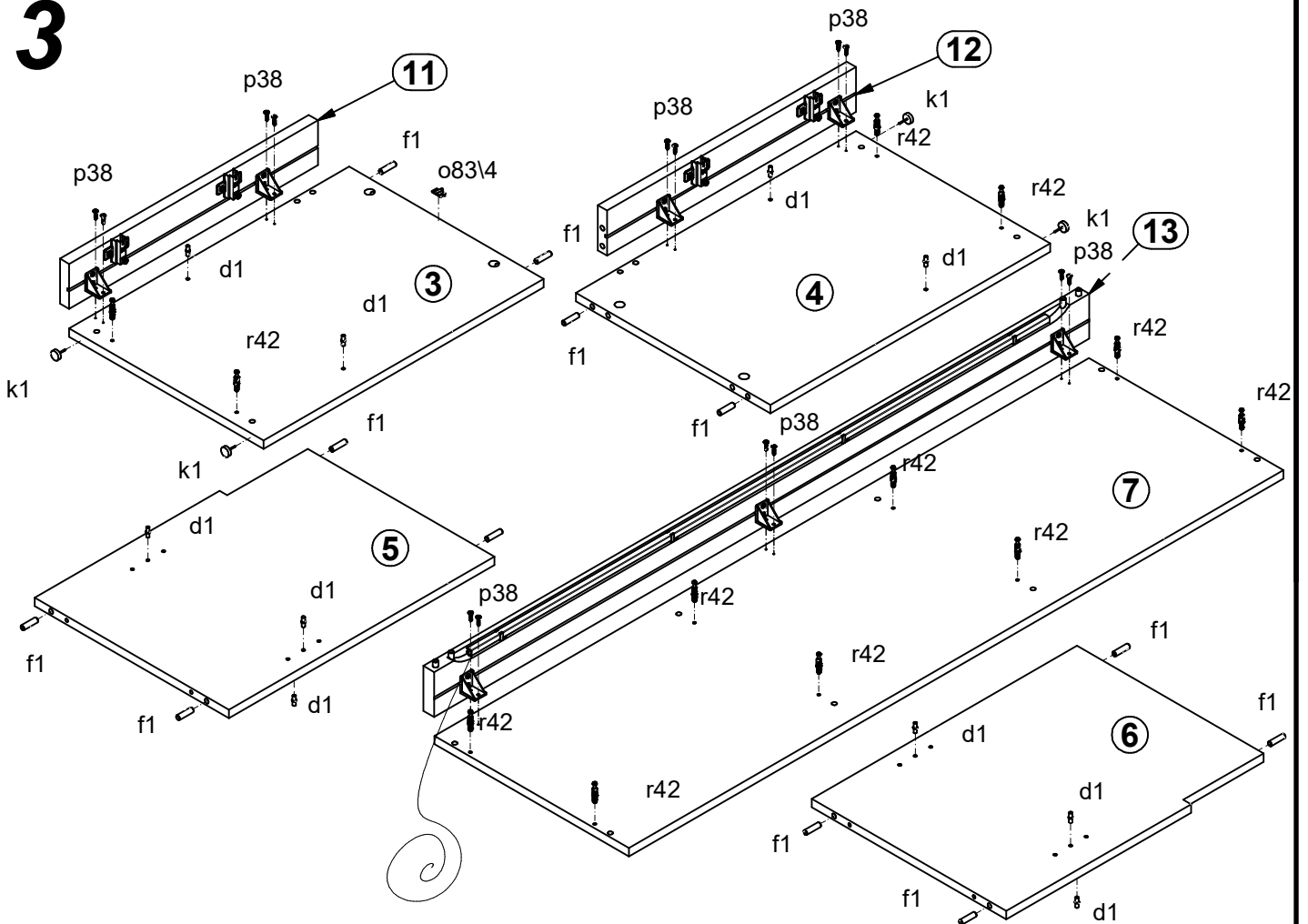
1 



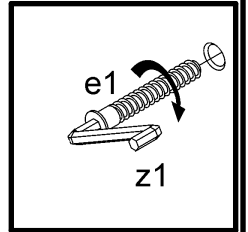
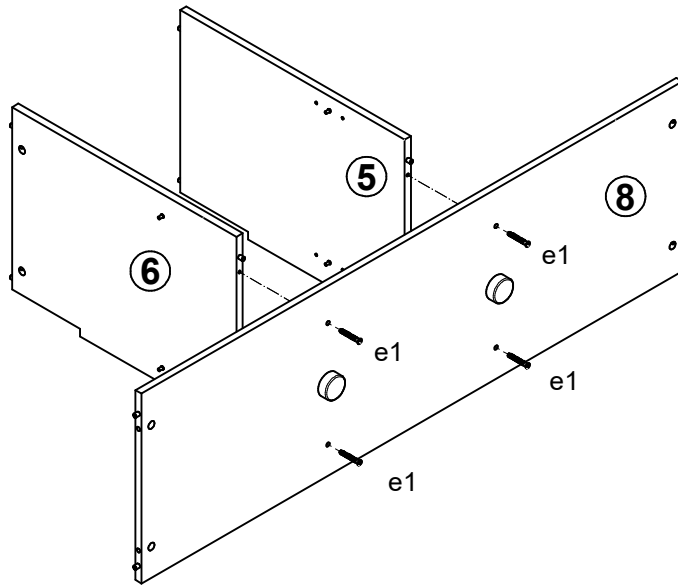
2



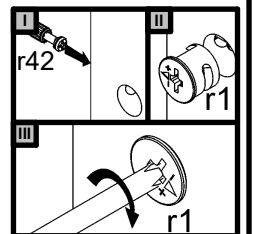
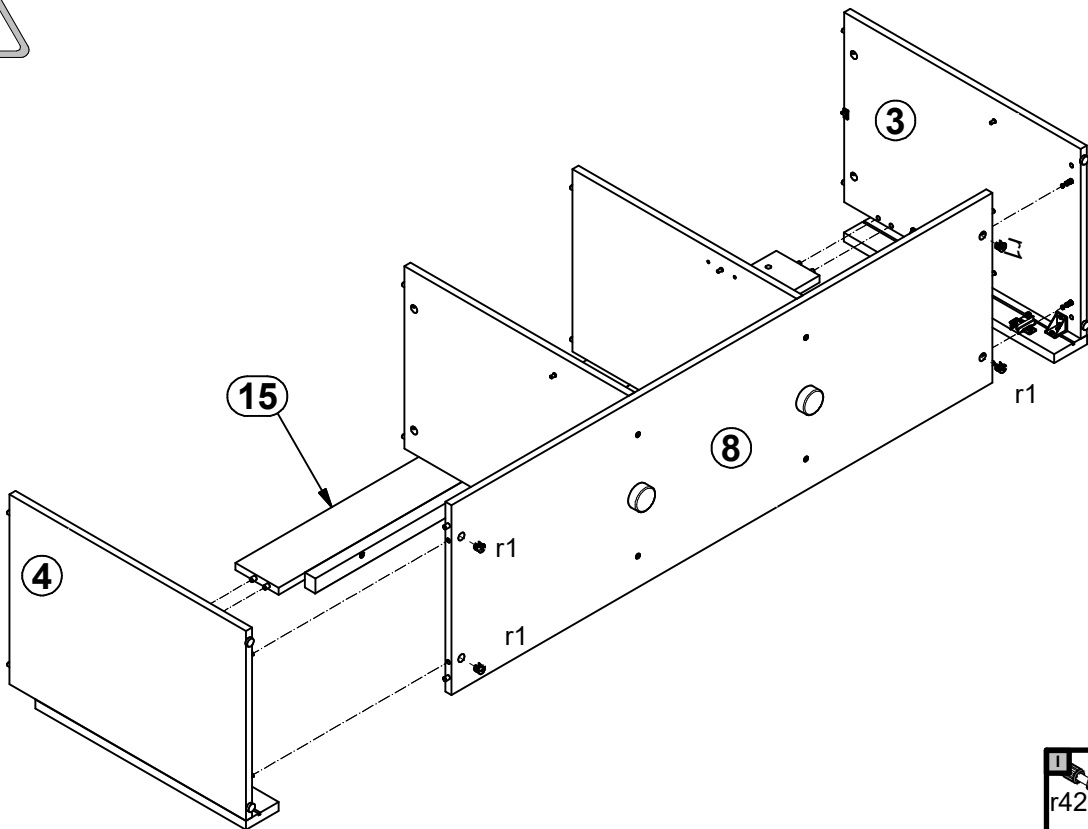
3



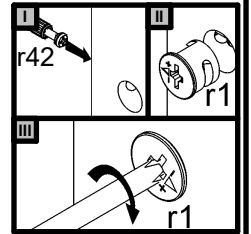
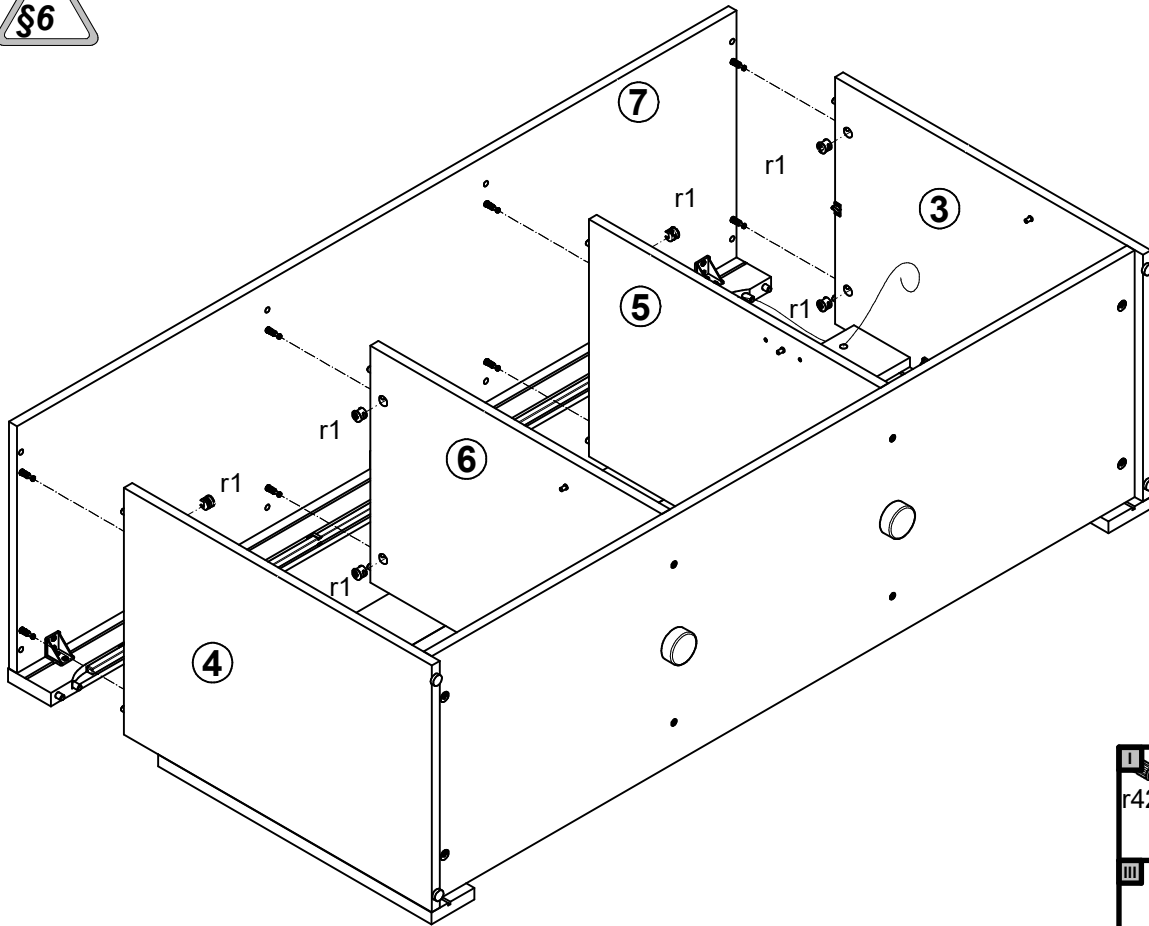
4 §6



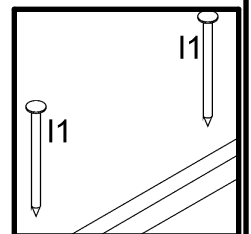
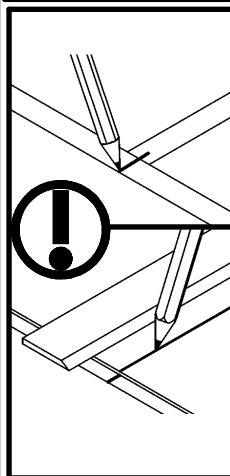
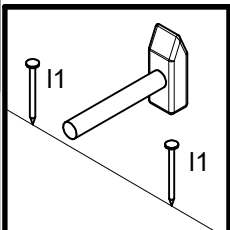
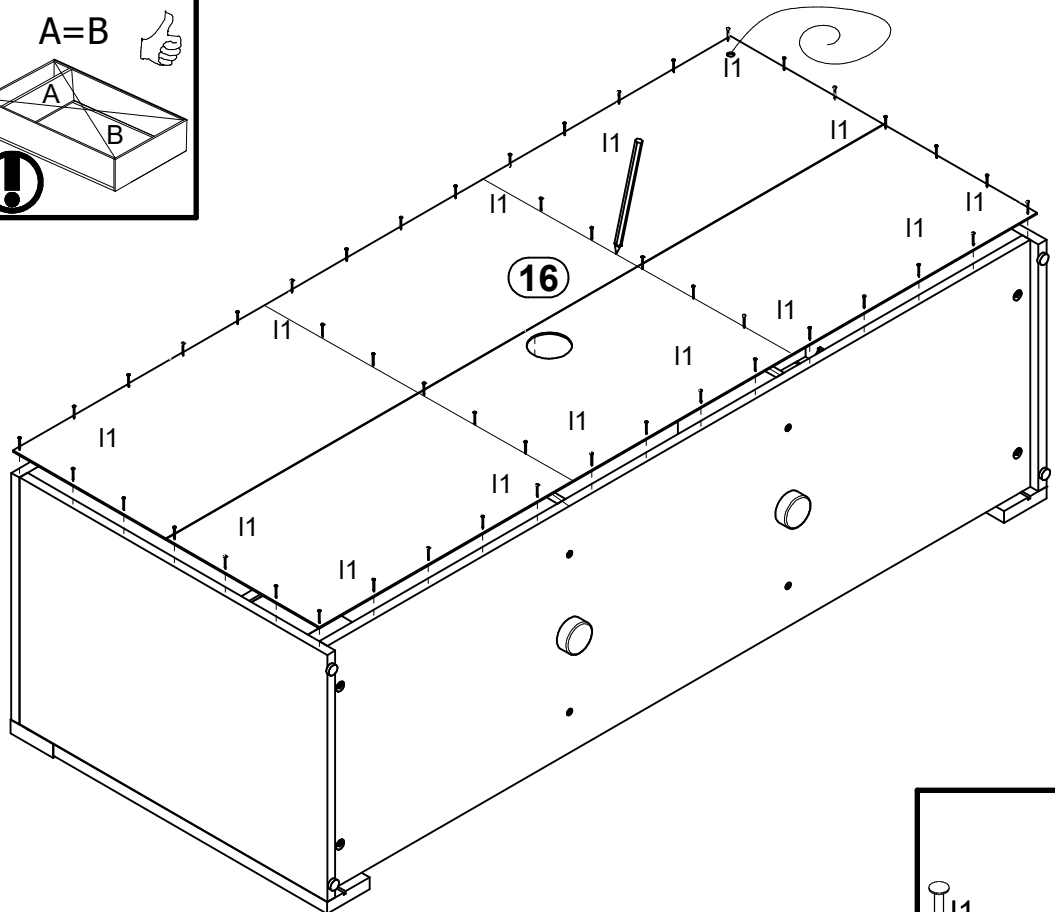
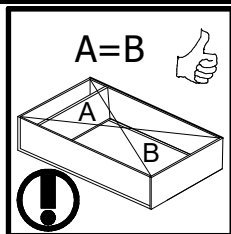
5 §6



6



7



8

