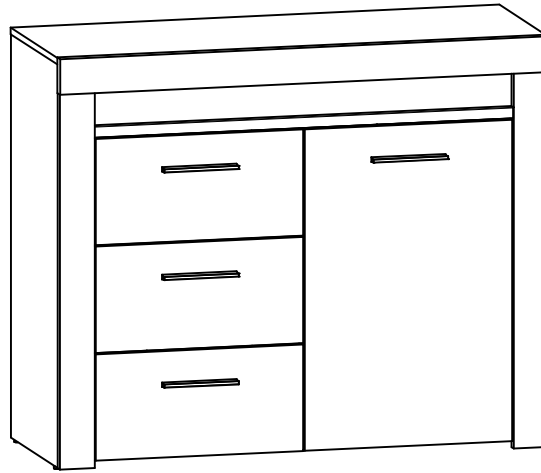
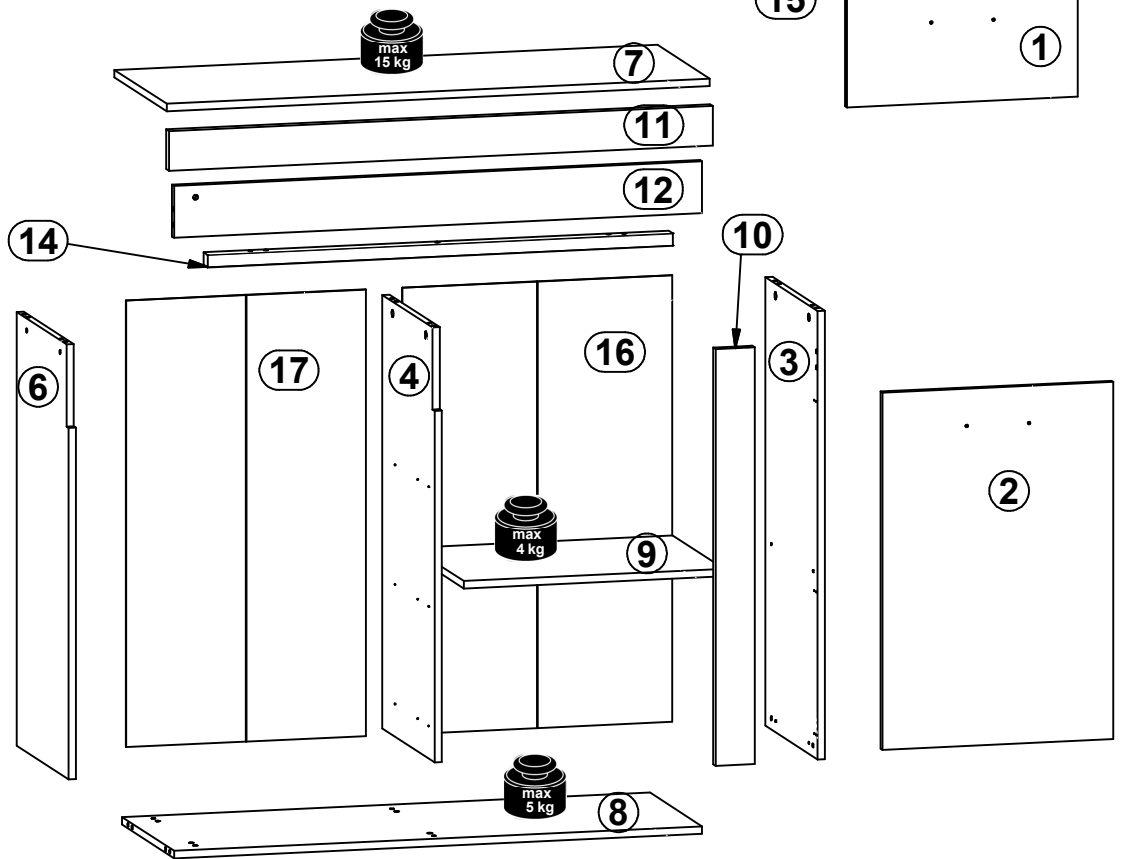
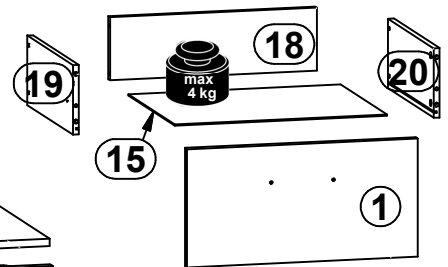


A	B	C	D	
1	S415-0016	474	238	1/2
2	S415-0017	720	474	1/2
3	S415-1006	904	400	2/2
4	S415-1008	874	400	2/2
5	S415-1017	904	400	2/2
6	S415-1018	874	400	2/2
7	S415-2006	1116	400	1/2
8	S415-3018	1085	400	1/2
9	S415-3019	535	395	1/2
10	S415-5007	840	80	1/2
11	S415-5029	1117	80	1/2
12	S415-5031	1085	105	1/2
13	S415-5032	840	80	1/2
14	S415-5033	956	32,	1/2
15	S415-9002	436	355	1/2
16	S415-9308	900	555	2/2
17	S415-9309	900	493	2/2
18	ZK3-5008	425	127	1/2
19	ZK3-511	350	140	2/2
20	ZK3-512	350	140	2/2

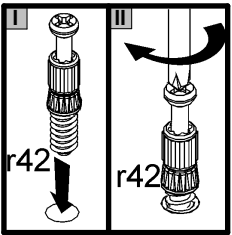
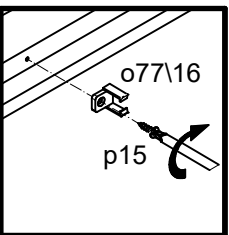
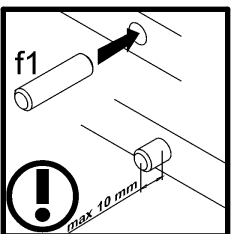
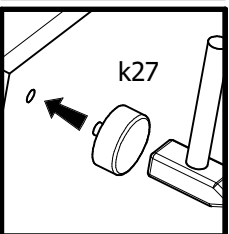
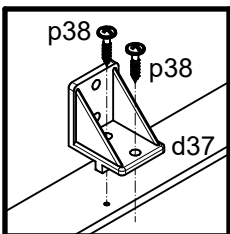
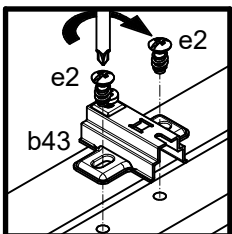
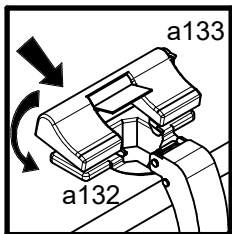
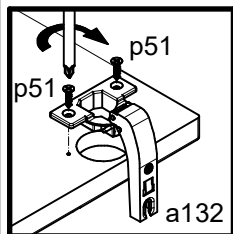
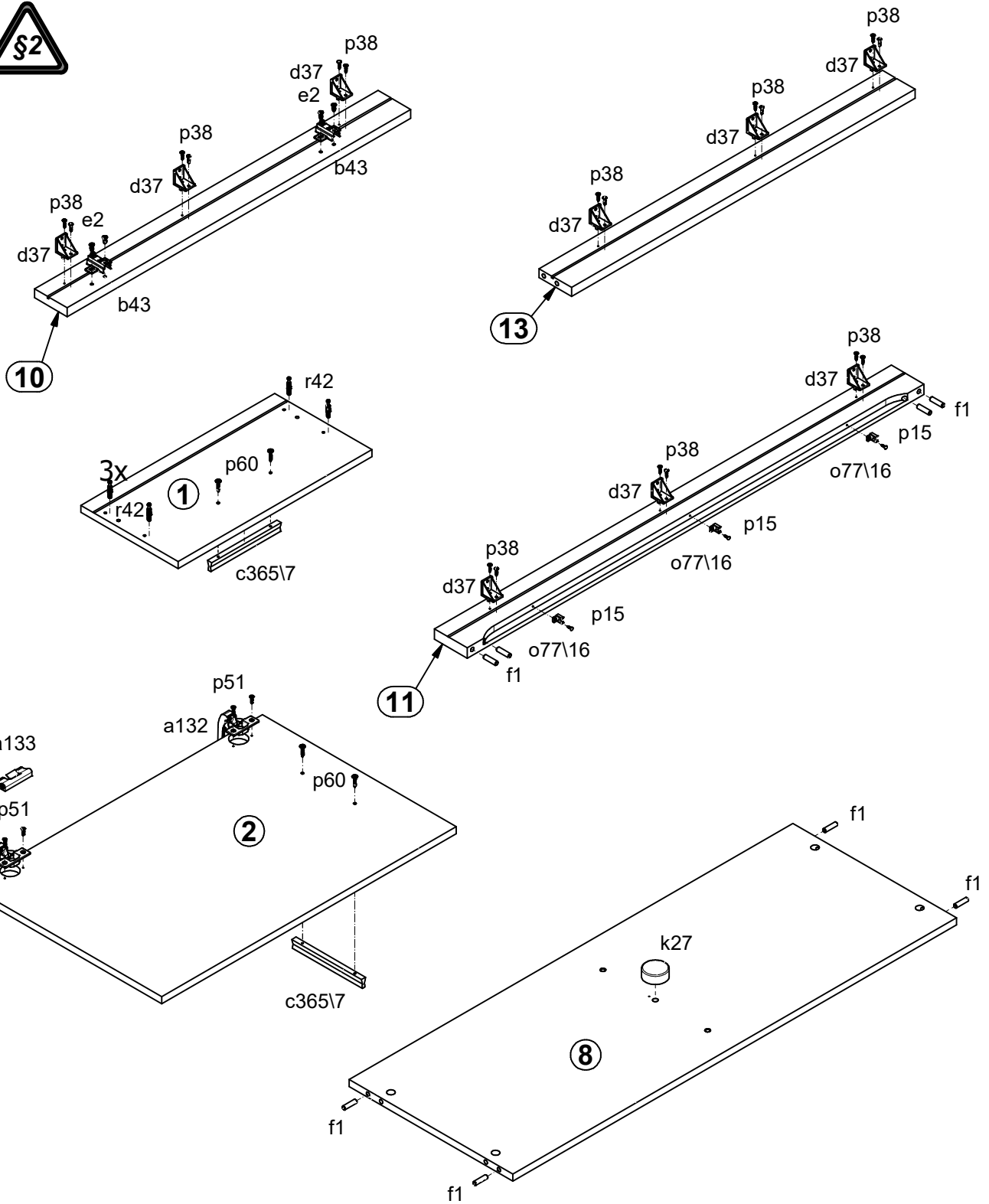


3x

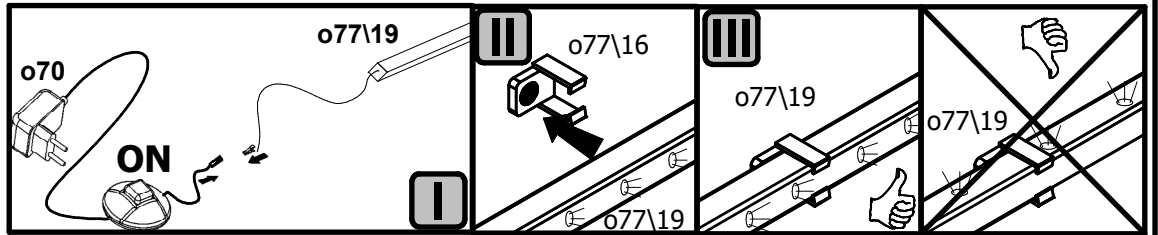
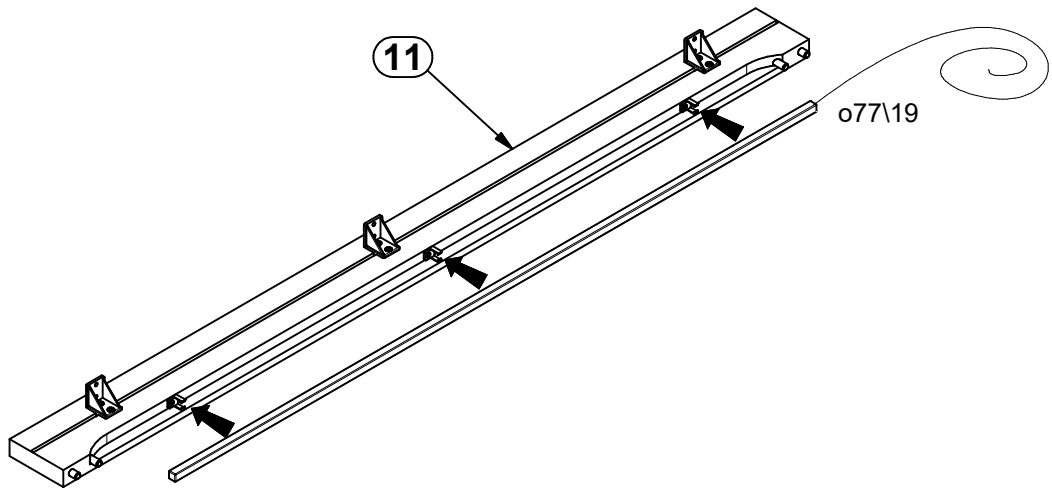


2x  a132	1x  a133	2x  b43	4x  L=170 c365/7	4x  Ø5x17 mm d1	9x  d37	5x  Ø7x50 mm e1	4x  Ø6,3x13 mm e2	30x  Ø8x30 mm f1
6x  Ø6x30 mm f9	12x  Ø6,5x40 mm f25	4x  k1	1x  k27	40x  1,4x20 mm l1	4x  22x9,5x20,7 mm n108	1x  o70/9	1x  L=960 mm o77/19	3x  o77/16
1x  n26	46x  Ø3,5x16 mm p38	3x  Ø2,5x13 mm p15	4x  Ø3,5x15 mm p51	4x  Ø2,9x16 mm p55	8x  Ø4x22 mm p60	36x  Ø3,5x12 mm p140	10x  Ø15x12 mm #16 r1	12x  Ø12x10,5 mm #12 r15
22x  r42	2x  s1	6x  350/580 mm w152/1	6x  350/580 mm w152/2	1x  4 mm z1				

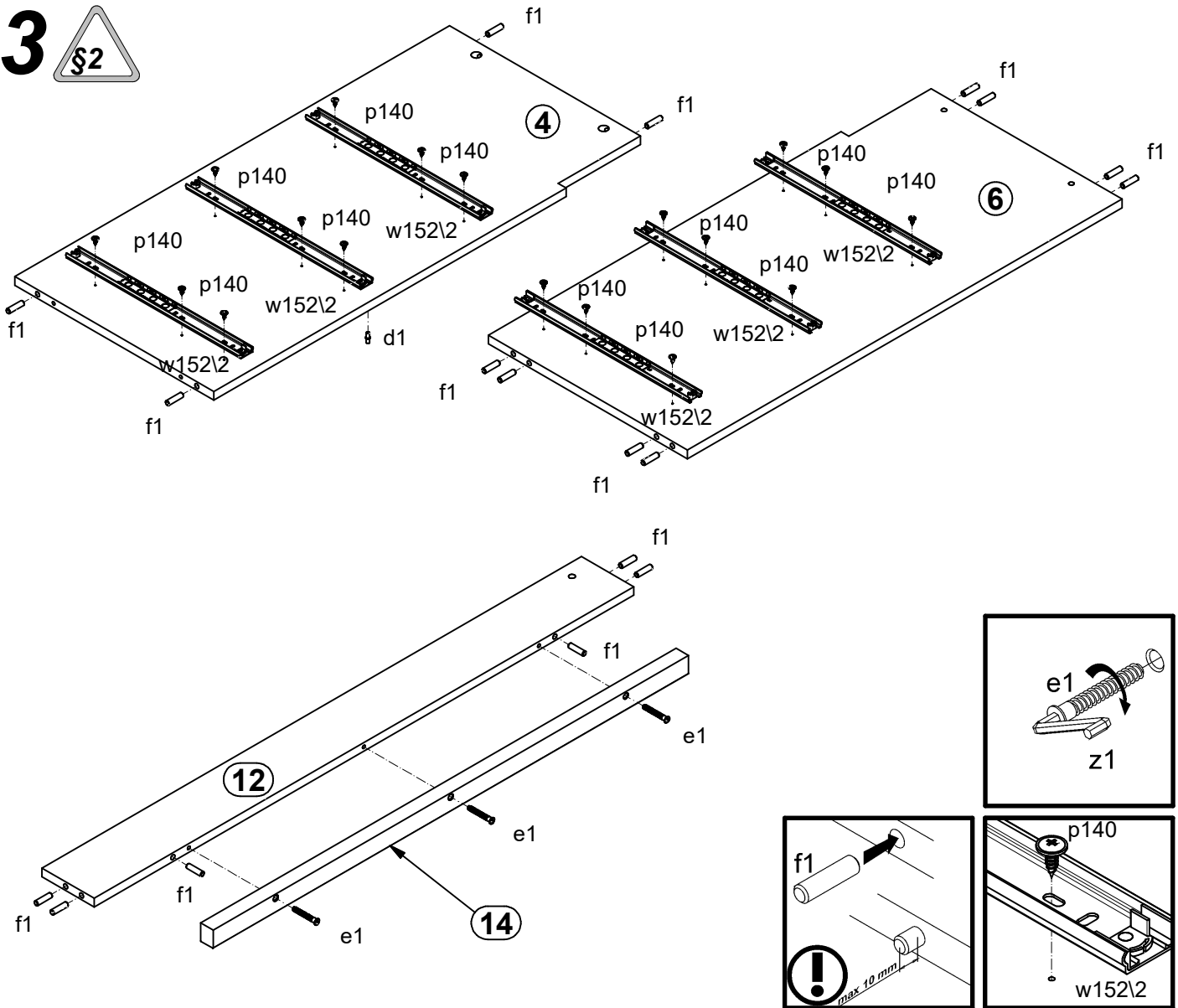
1 §2



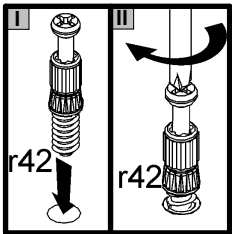
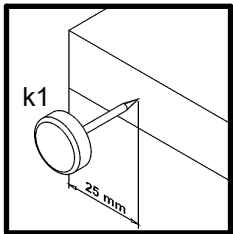
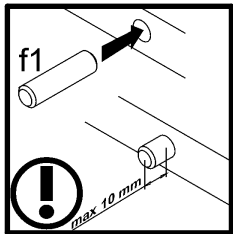
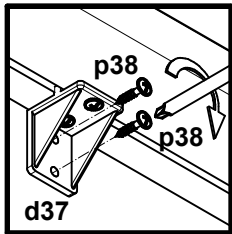
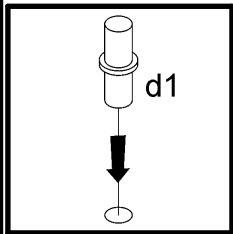
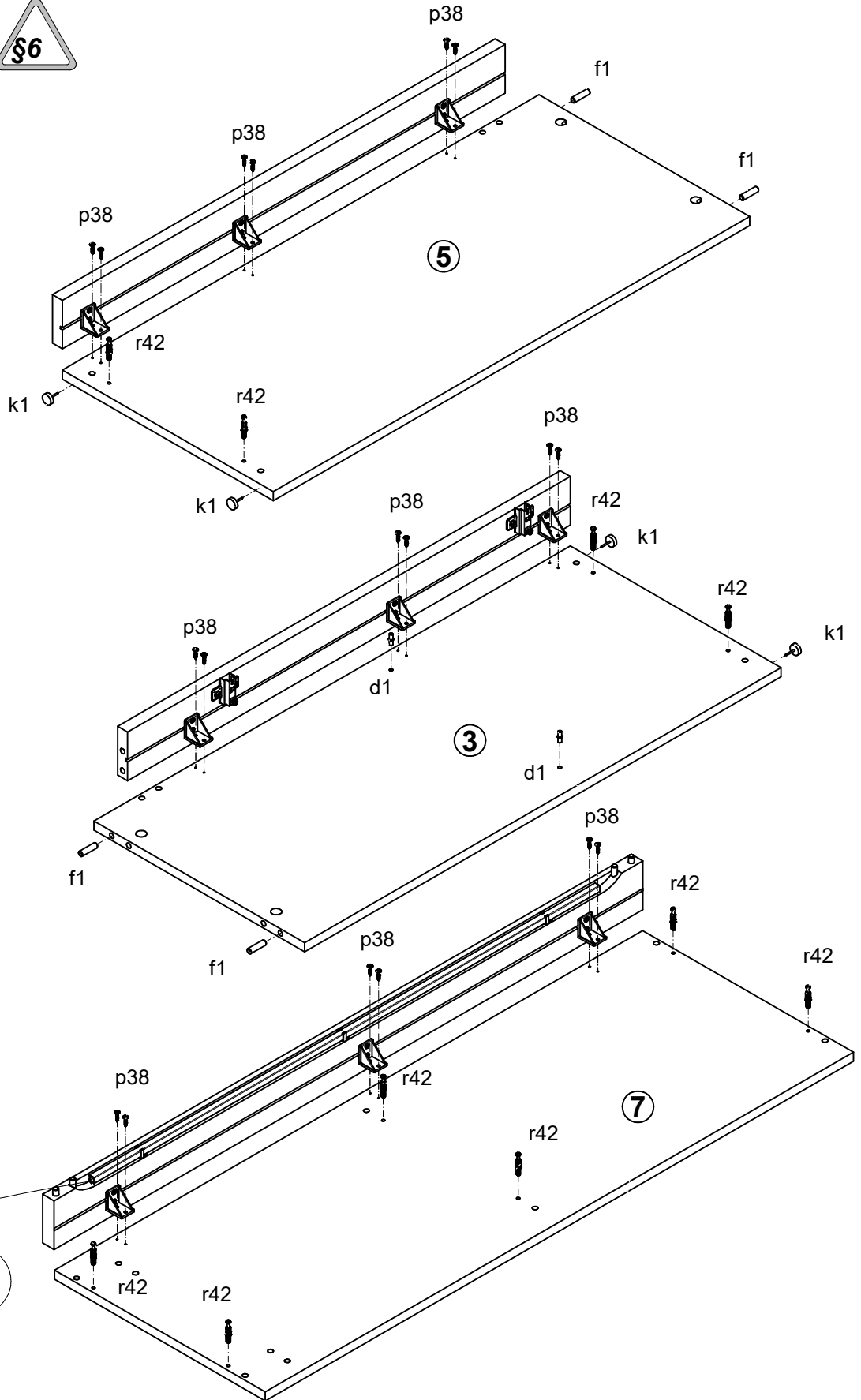
**2** 



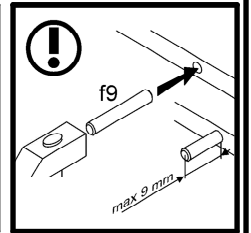
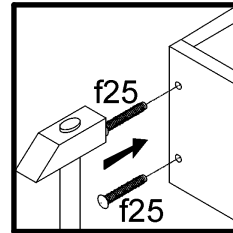
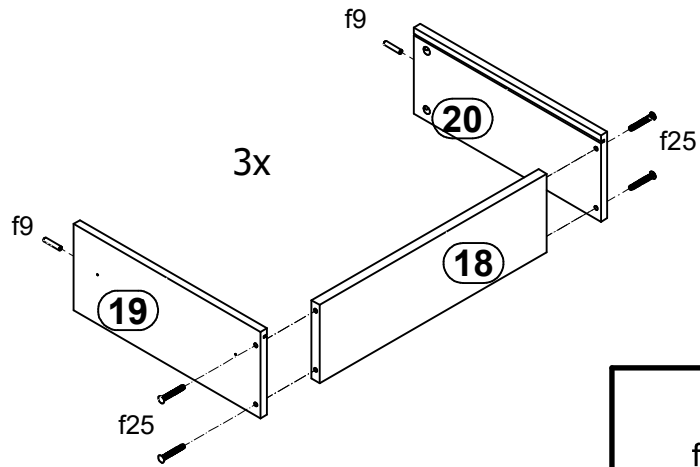
**3** 



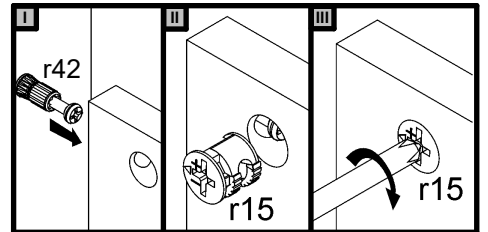
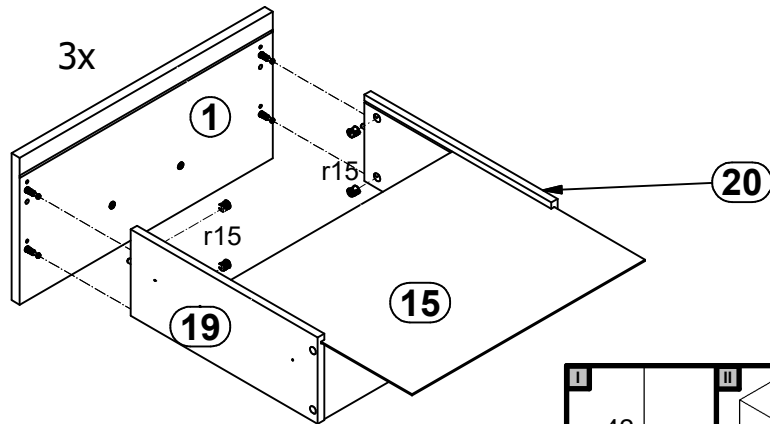
# 4



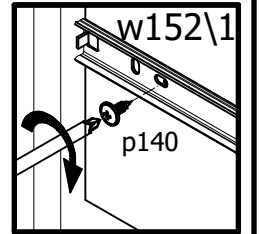
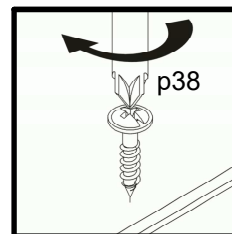
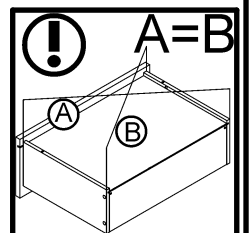
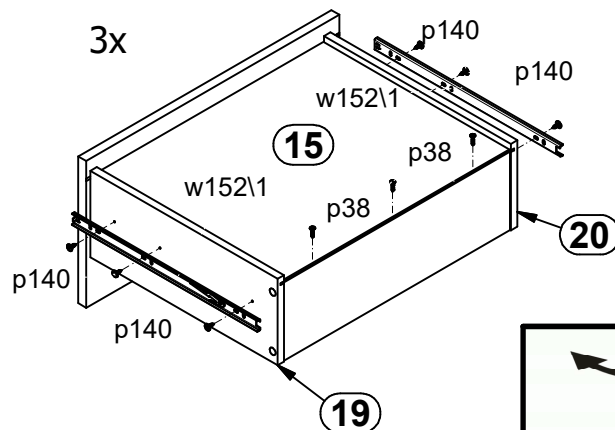
# 5



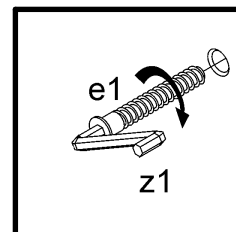
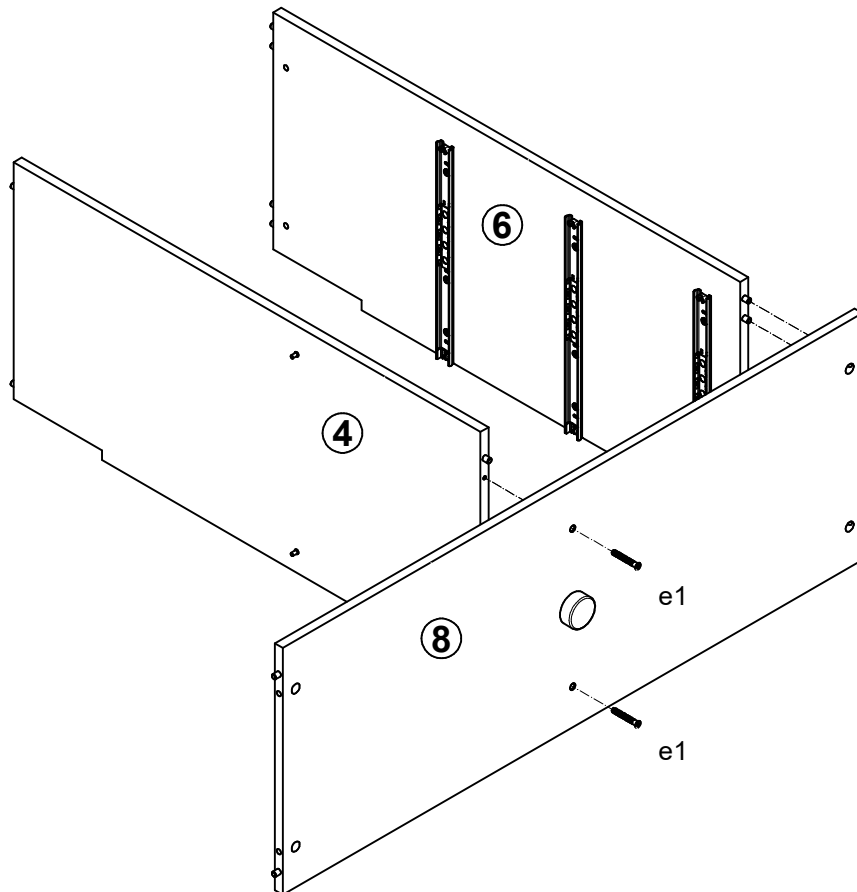
# 6



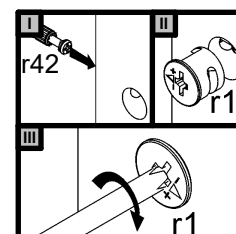
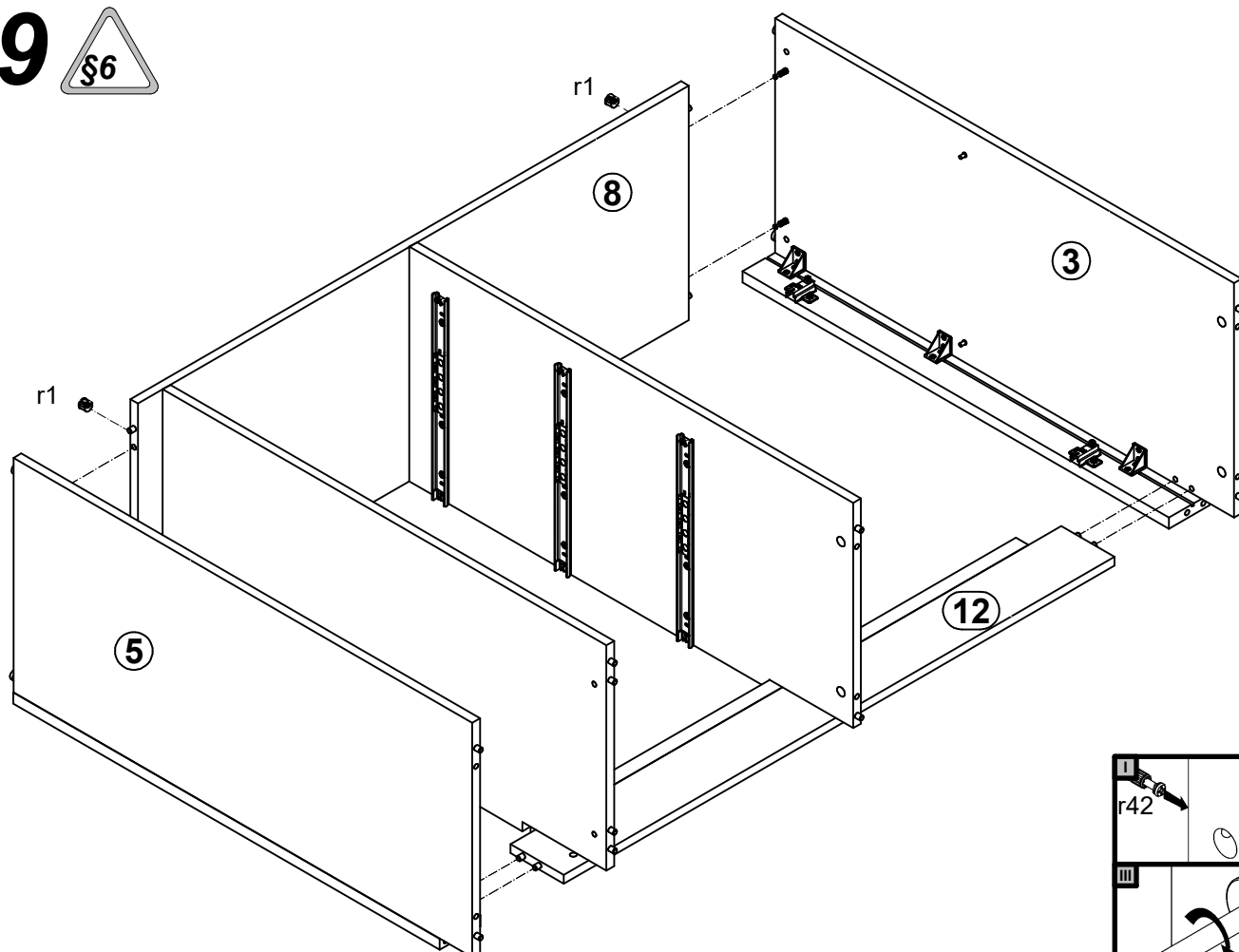
# 7



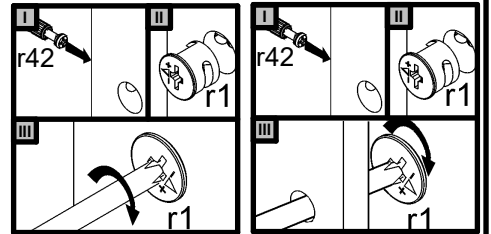
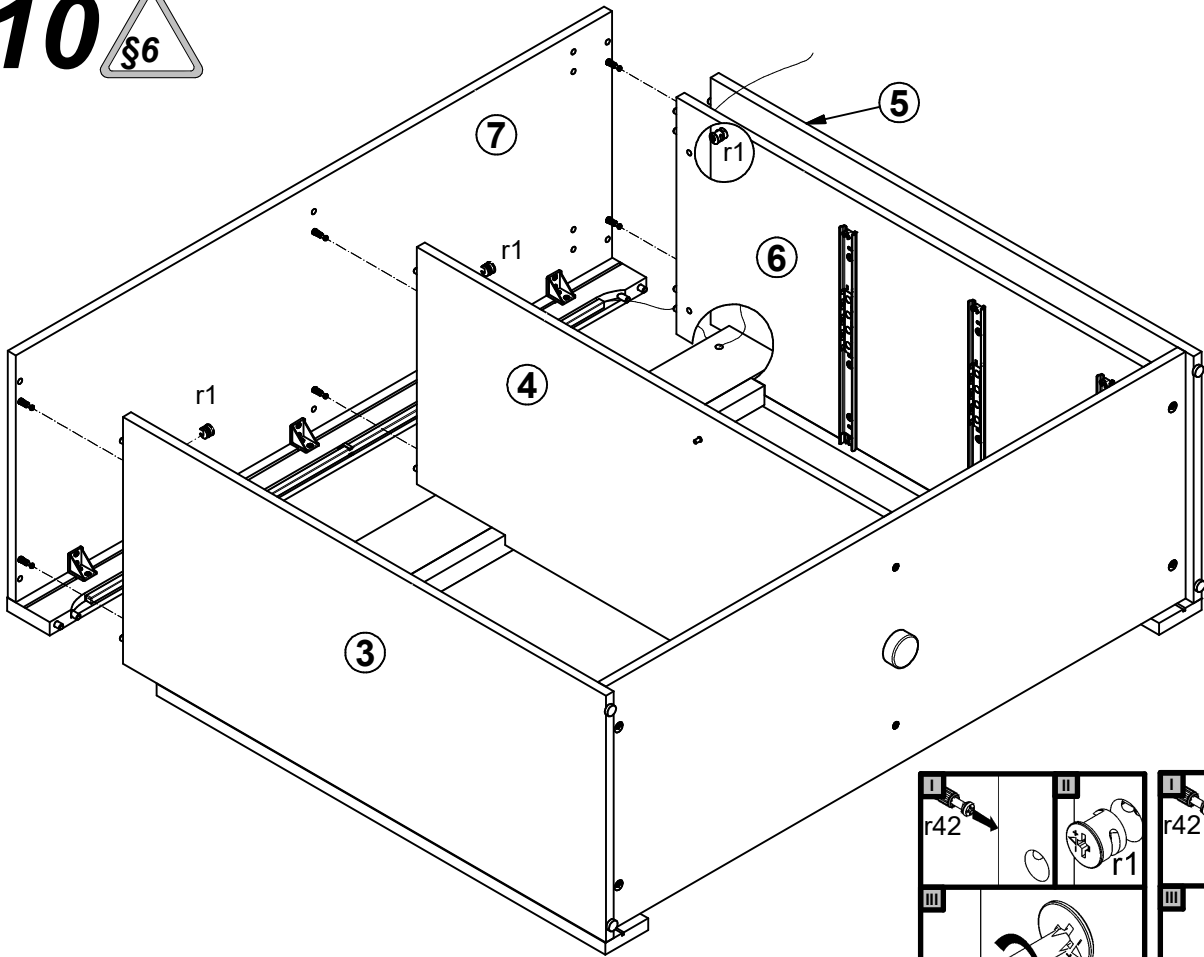
8 §6



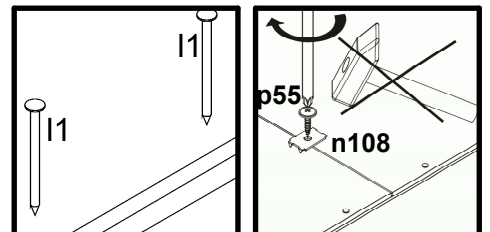
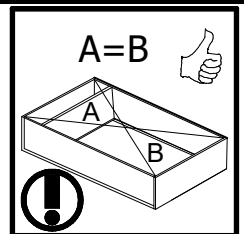
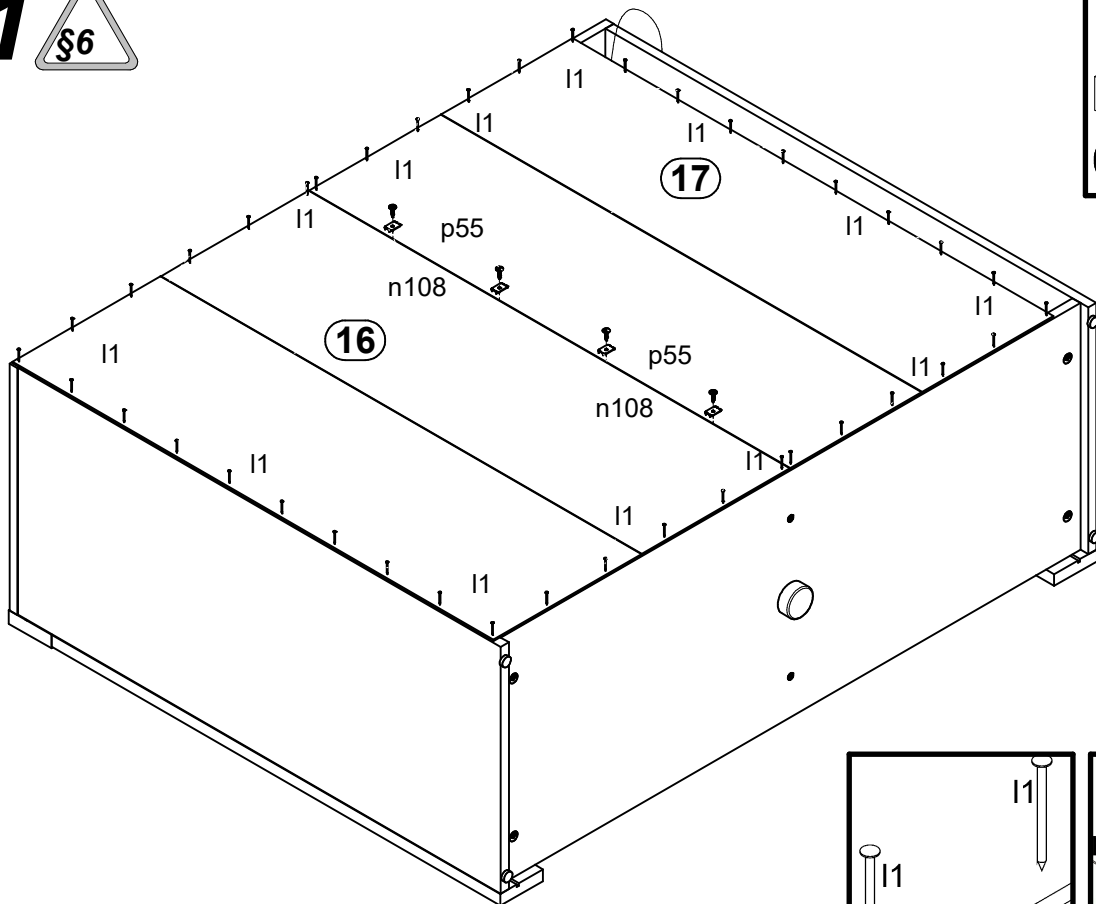
9 §6



# 10



# 11



# 12

