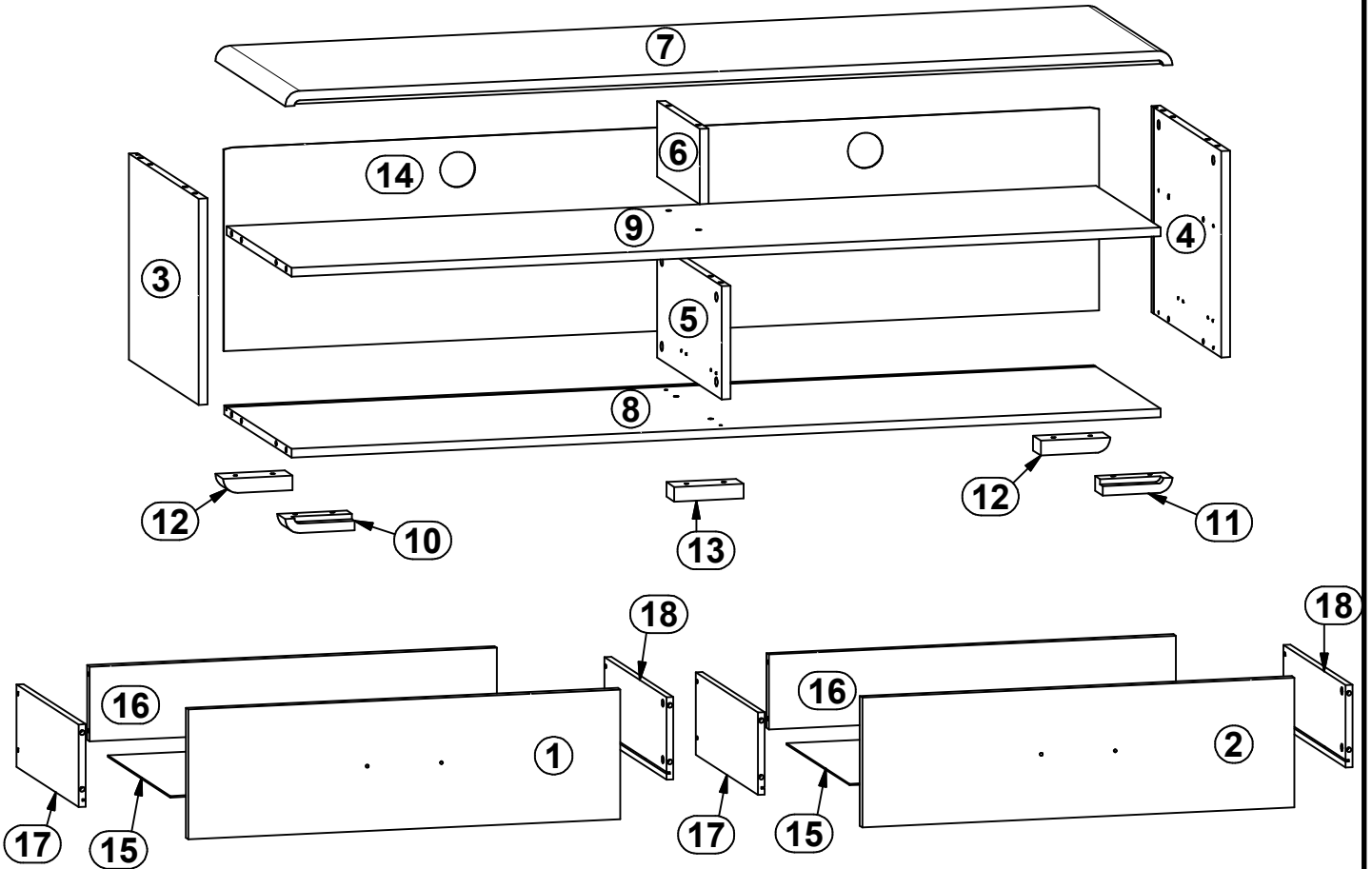
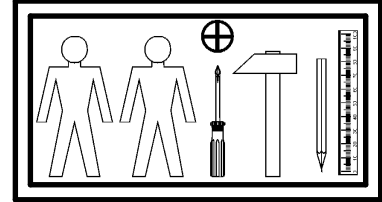
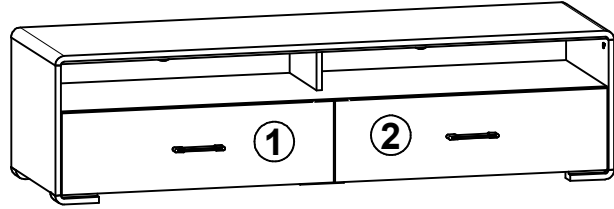
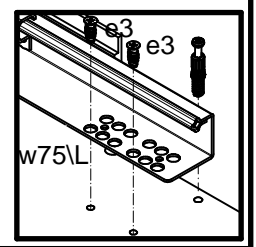
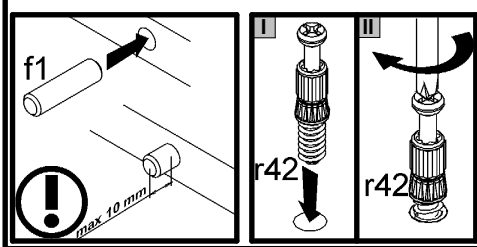
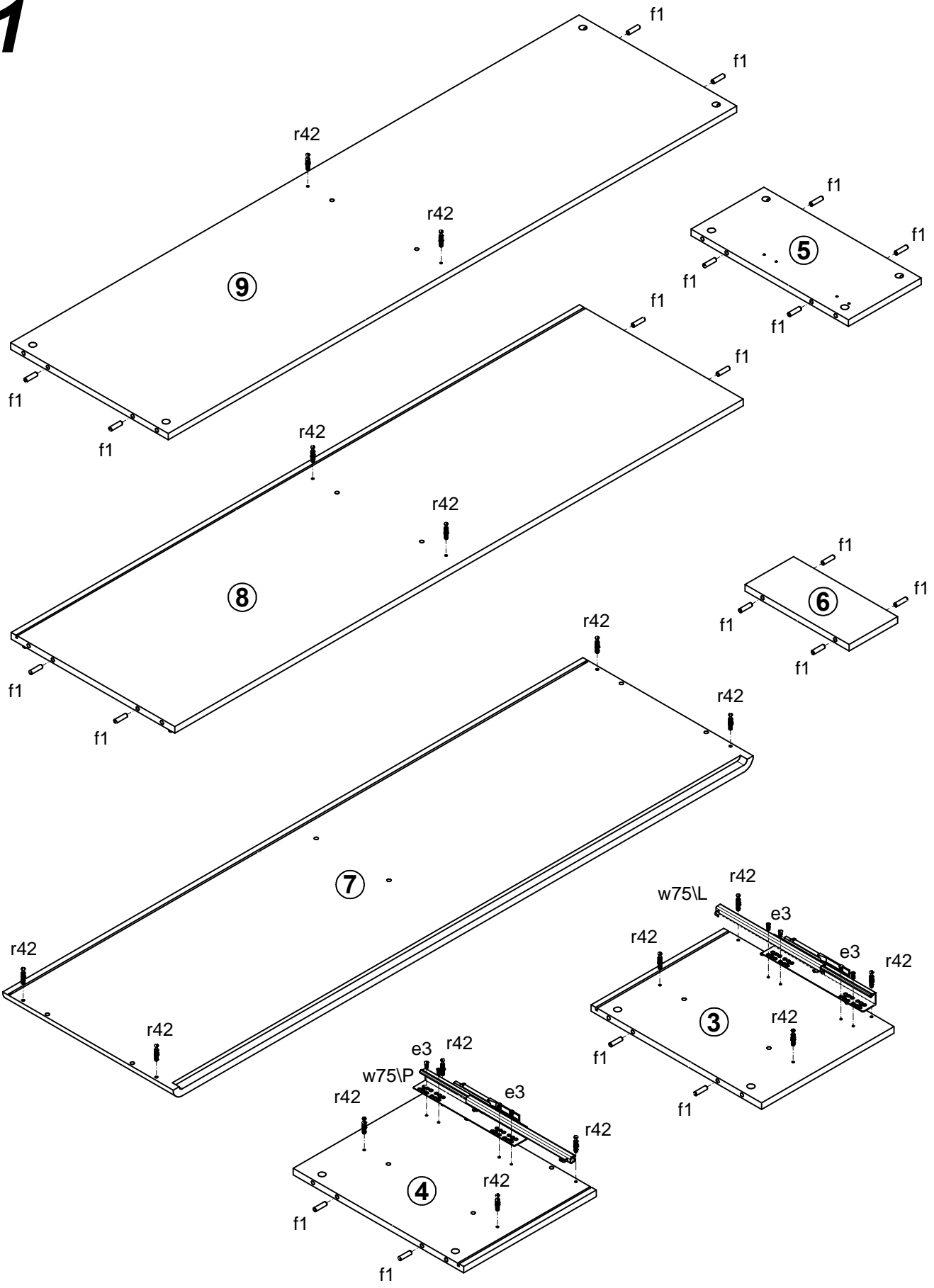


A	B	C	D
1	S332-0012	746	220 2/2
2	S332-0013	746	220 2/2
3	S332-1012	350	450 1/2
4	S332-1013	350	450 1/2
5	S332-1014	192	416 1/2
6	S332-1015	128	275 1/2
7	S332-2005	1532	450 1/2
8	S332-3010	1501	432 1/2
9	S332-3011	1501	416 1/2
10	S332-5001	120	50 1/2
11	S332-5002	120	50 1/2
12	S332-5003	120	50 1/2
13	S332-5004	120	50 1/2
14	S332-9012	345	1511 1/2
15	S332-9011	714	405 1/2
16	ZQ2-531	703	127 1/2
17	ZQ2-532	400	140 1/2
18	ZQ2-533	400	140 1/2

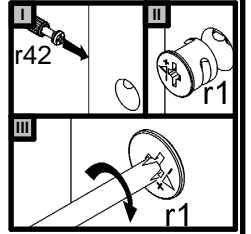
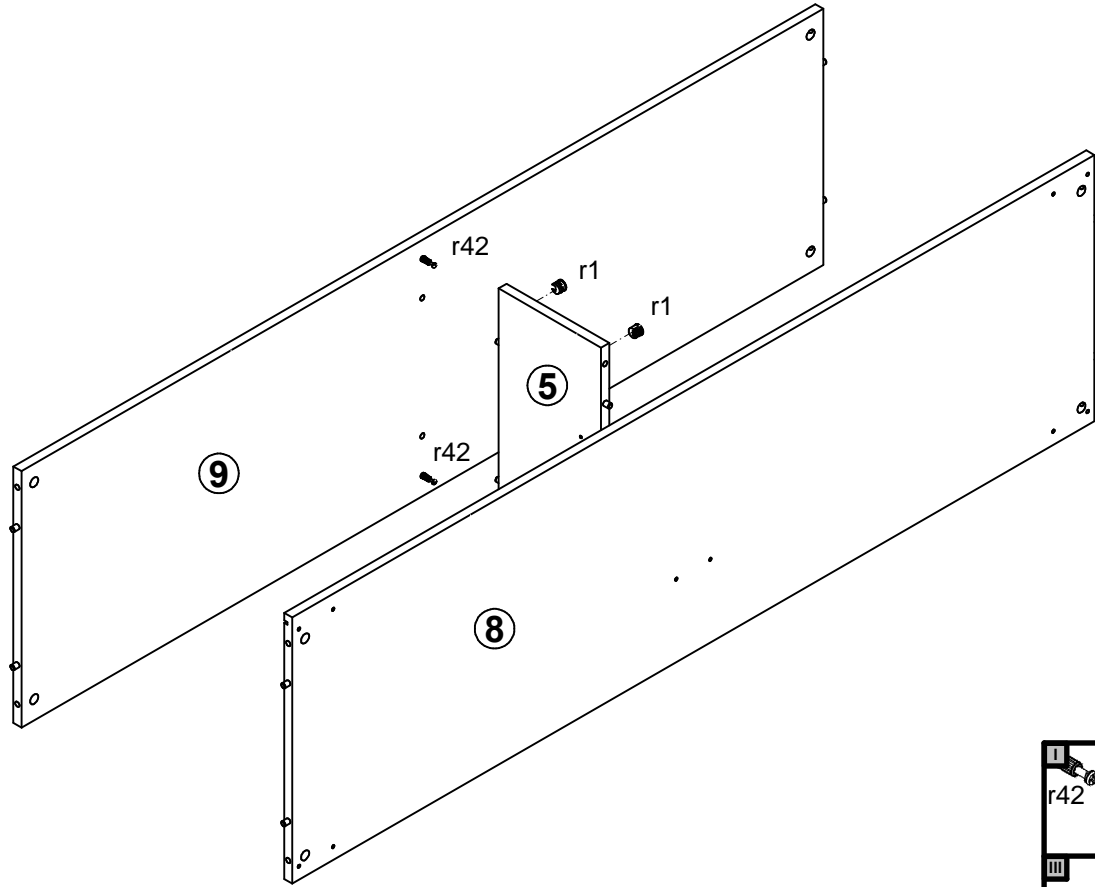


2x 128 mm c424	16x Ø6x13 mm e3	10x Ø6x22 mm e31	20x Ø8x30 mm f1	8x Ø6.5x40 mm f25	4x M4x22 mm j30	20x l1	10x l2	2x Ø3.5x16 mm p25
2x Ø3.5x10 mm p35	12x Ø3.5x16 mm p38	16x Ø15x12 mm #16 r1	8x Ø12x10.5 mm #12 r15	24x 20/11 r42	5x Ø16 s2	2x 400 mm t33	2x 400 mm w75/L	2x 400 mm w75/P

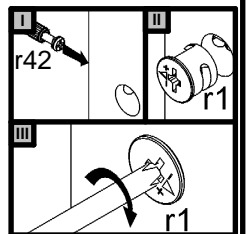
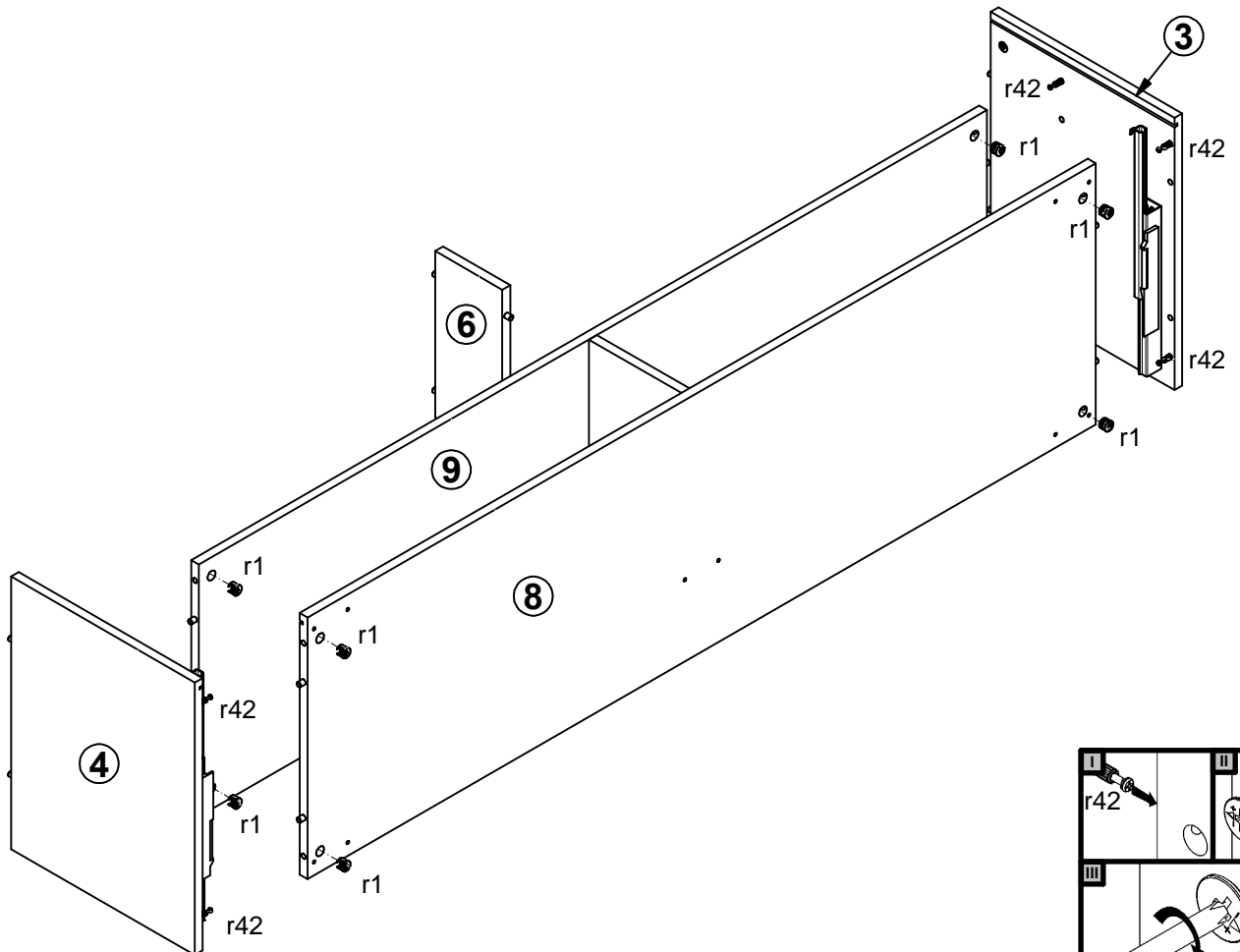
# 1

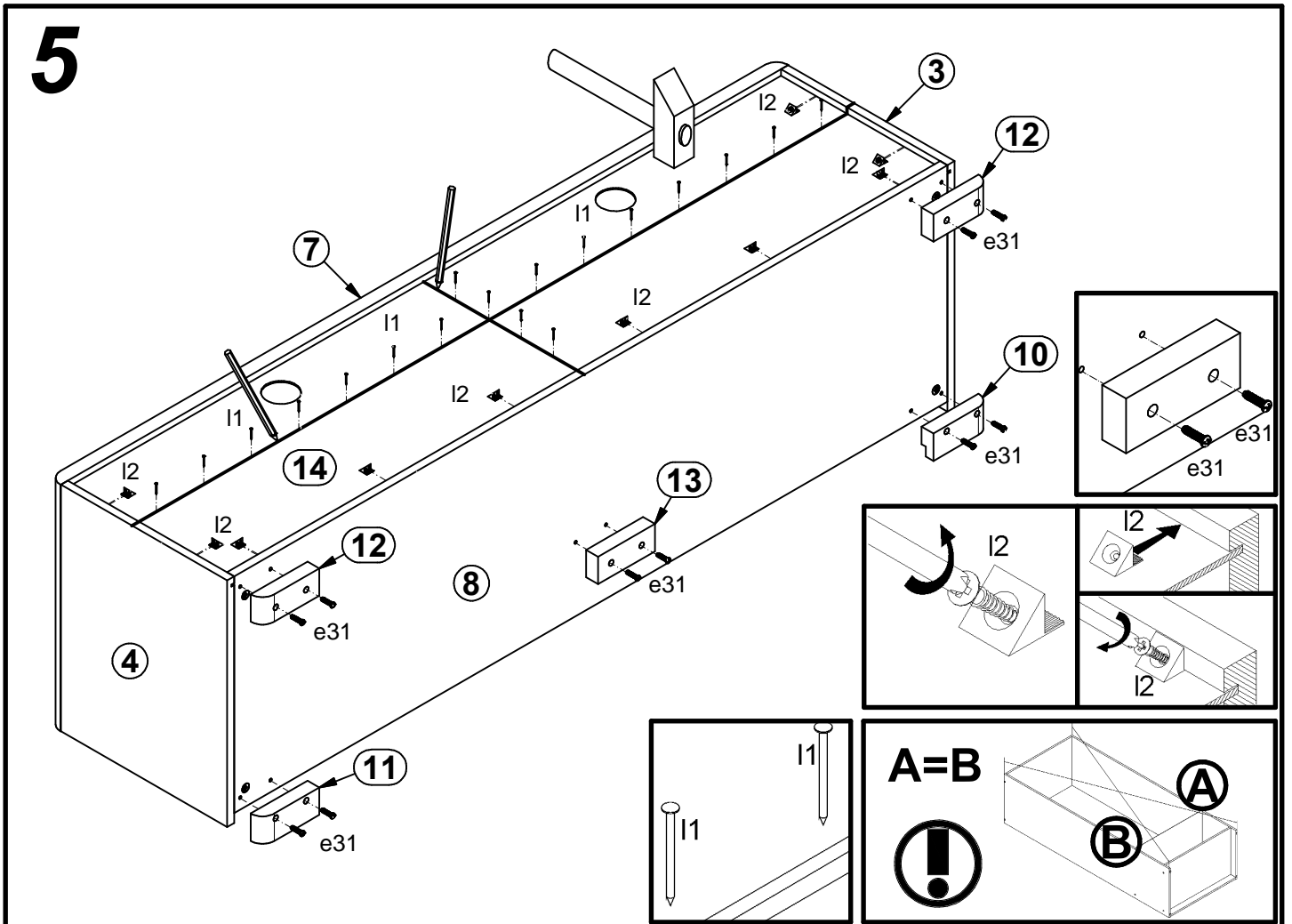
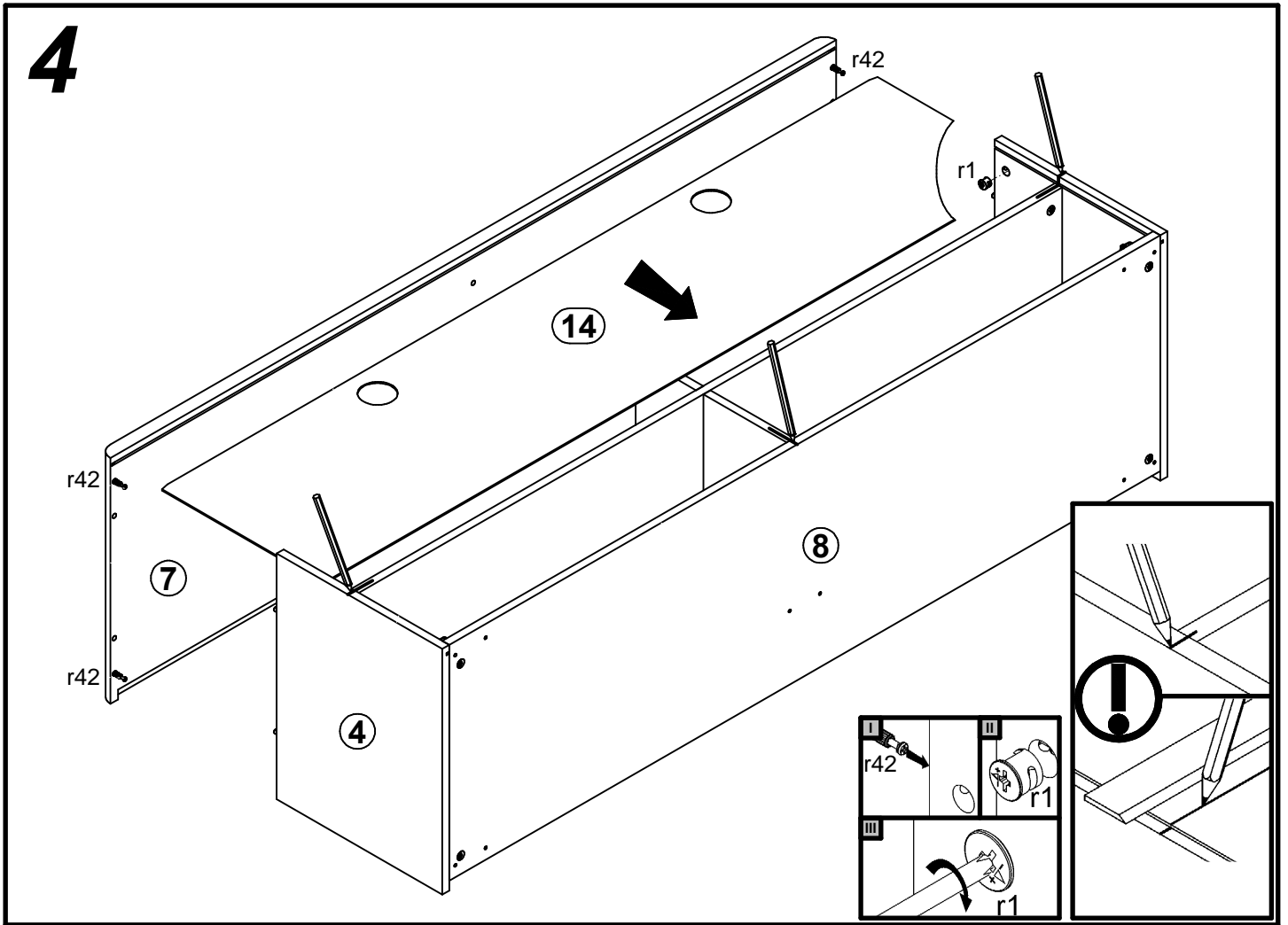


# 2

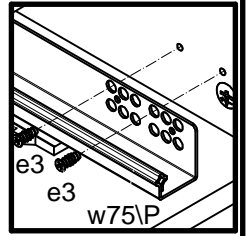
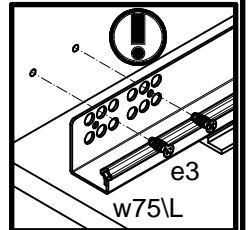
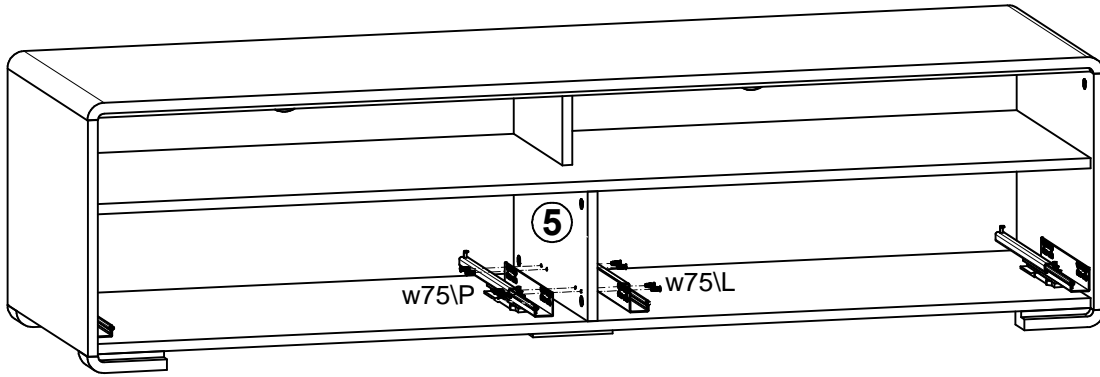


# 3





# 6



# 7

