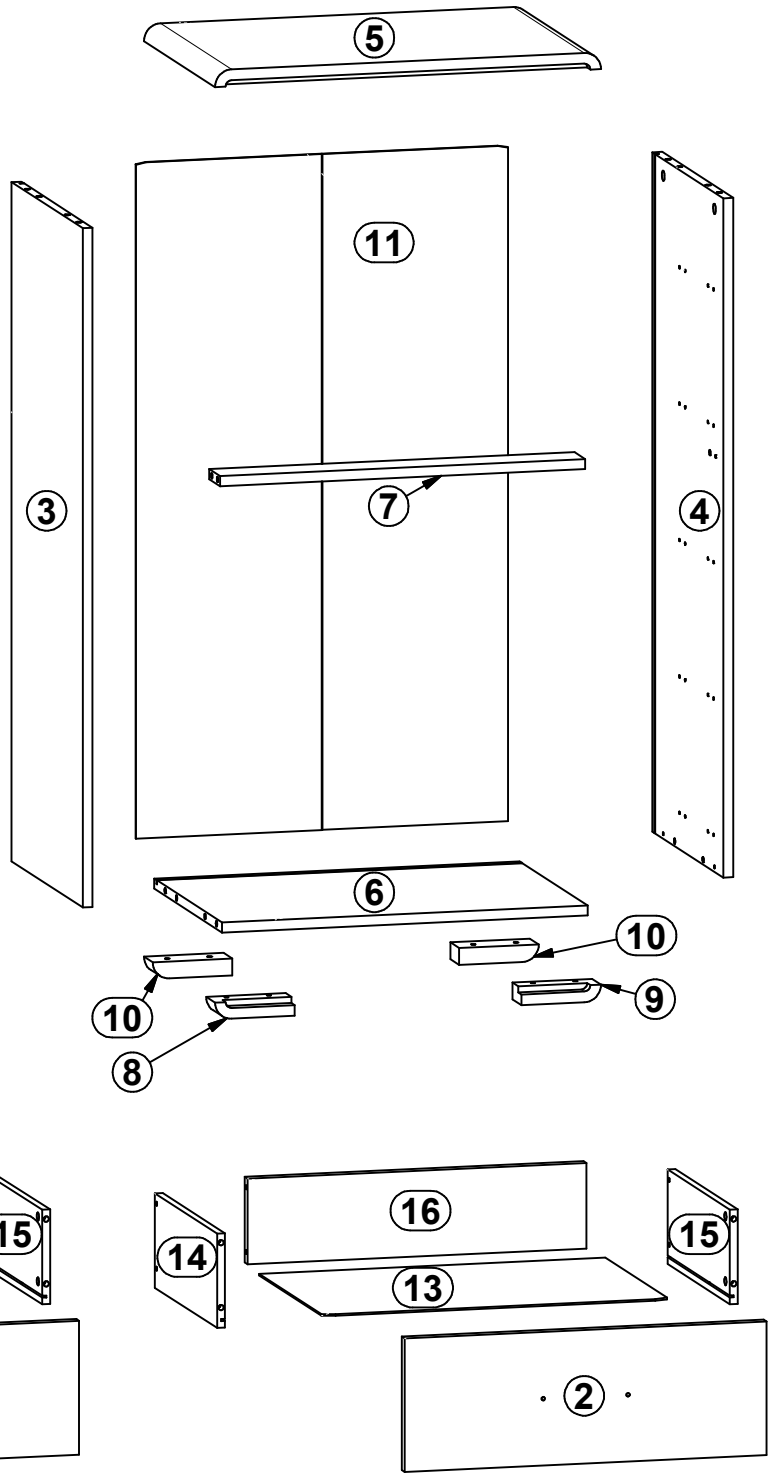
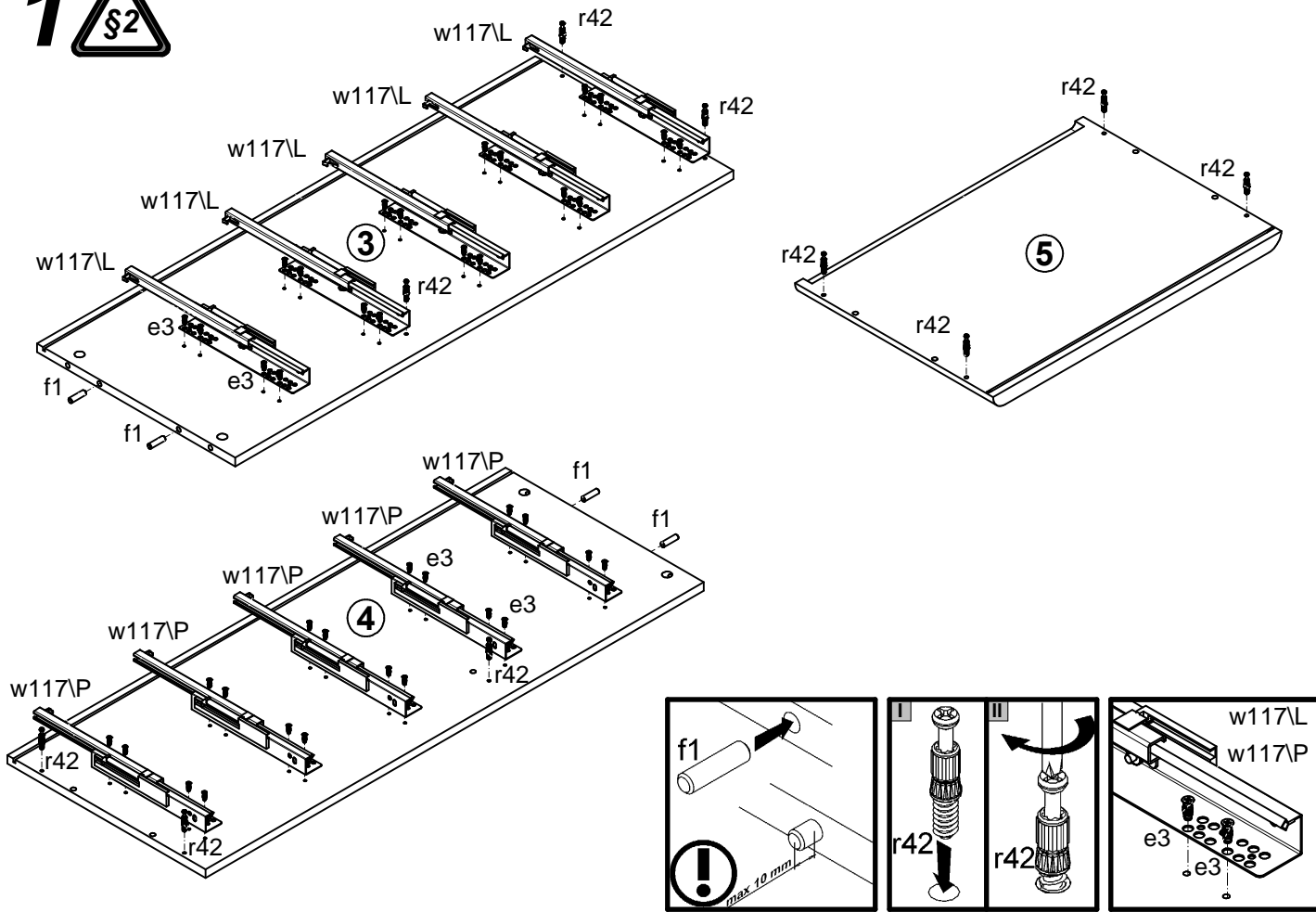


A	B	C	D	
1	S332-0008	546	198	3/3
2	S332-0009	546	198	3/3
3	S332-1007	1006	400	1/3
4	S332-1008	1006	400	1/3
5	S332-2003	582	400	1/3
6	S332-3006	551	382	1/3
7	S332-4003	551	60	1/3
8	S332-5001	120	50	3/3
9	S332-5002	120	50	3/3
10	S332-5003	120	50	3/3
11	S332-9306	1001	561	1/3
12	S332-9008	522	355	1/3
13	S332-9009	522	355	1/3
14	ZQ2-505	350	140	1/3
15	ZQ2-506	350	140	1/3
16	ZQ2-530	511	127	1/3

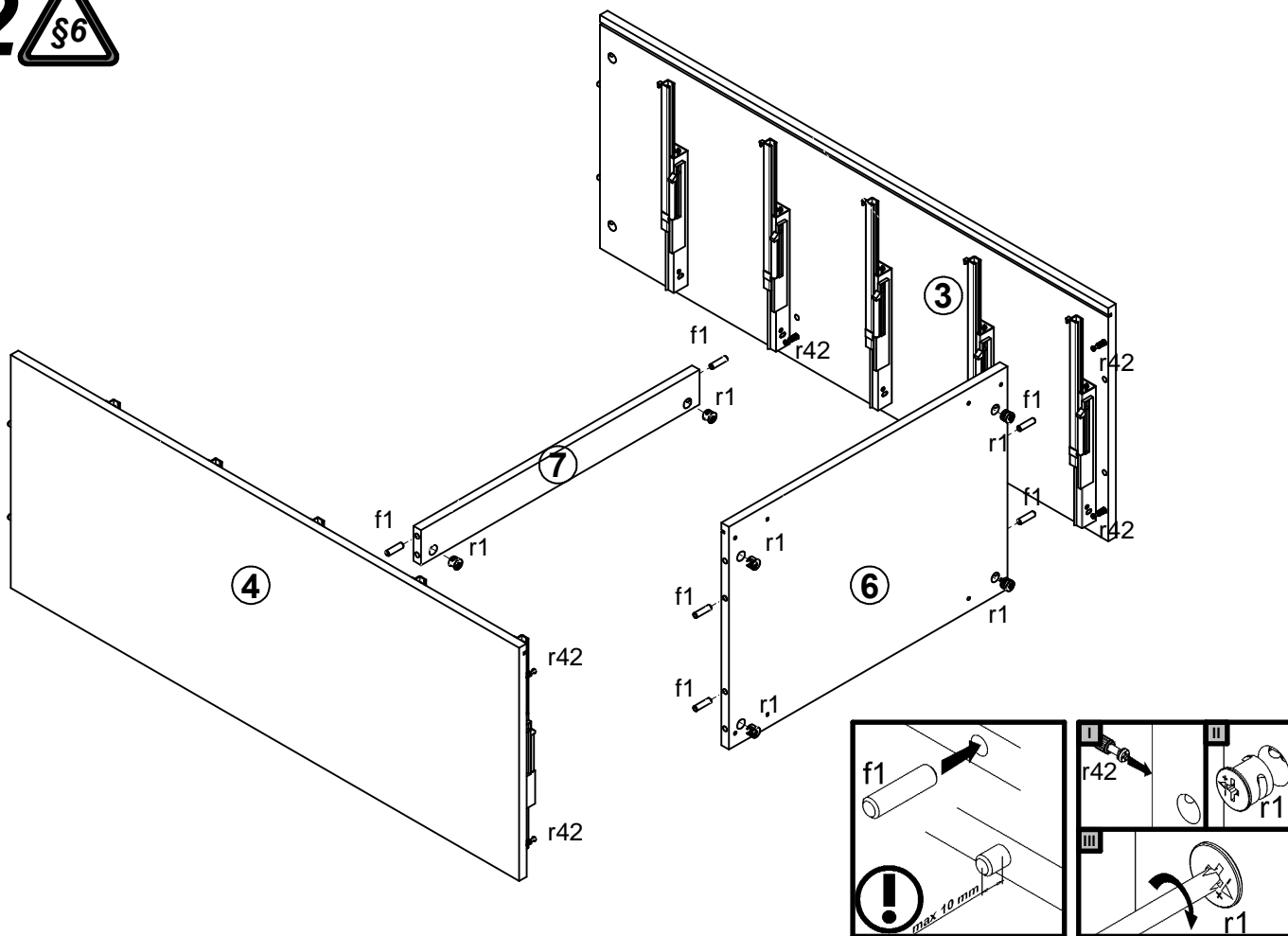


5x 128 mm c424	40x Ø6x13 mm e3	8x Ø6x22 mm e31	10x Ø8x30 mm f1	20x Ø6.5x40 mm f25	10x M4x22 mm j30	10x l2	25x Ø3.5x16 mm p38	10x Ø15x12 mm #16 r1
20x Ø12x10.5 mm #12 r15	30x 20/11 r42	5x 350 mm W117/L	5x 350 mm W117/P	1x n26/1	1x Ø3.5x16 mm p38	2x Ø16 s2		

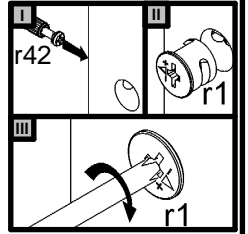
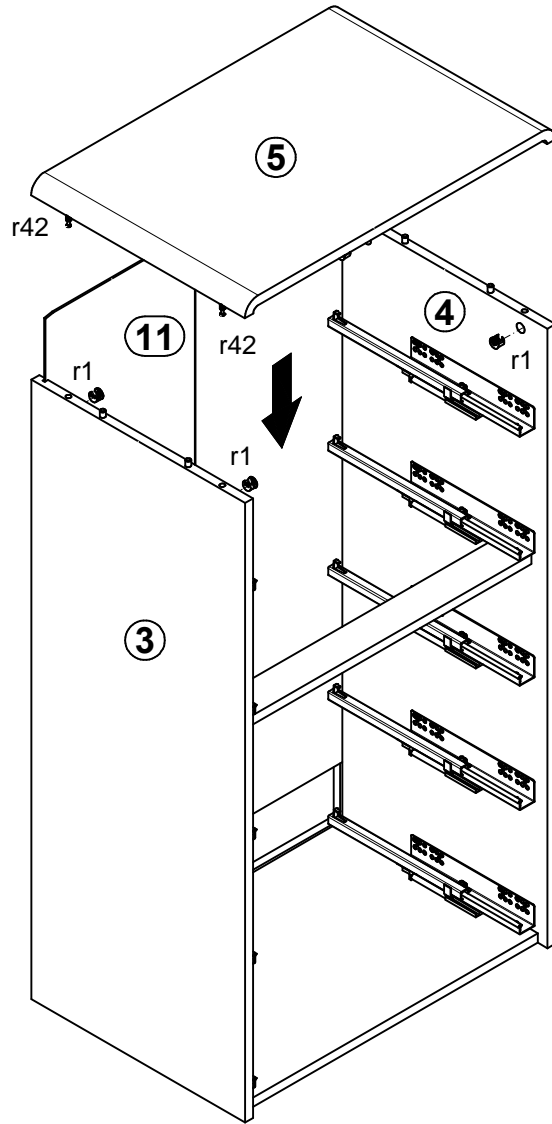
1



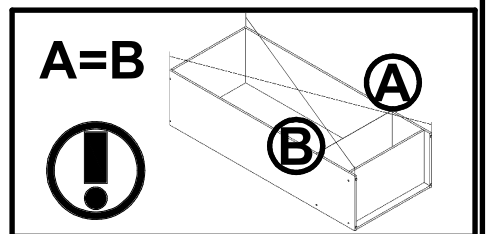
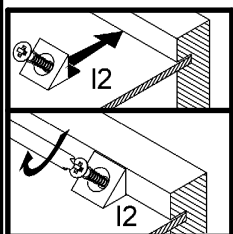
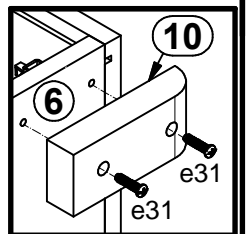
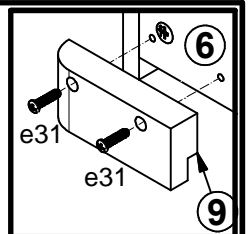
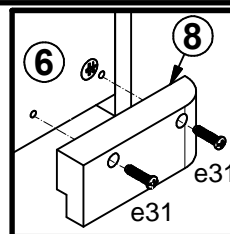
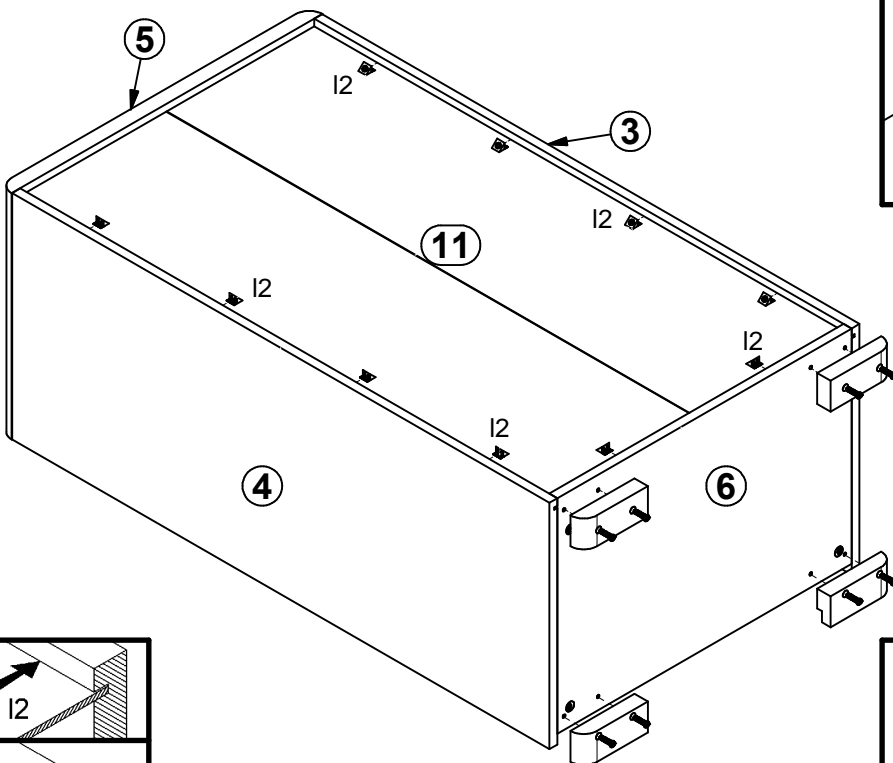
2



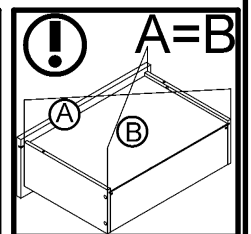
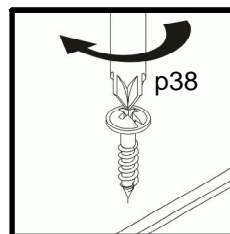
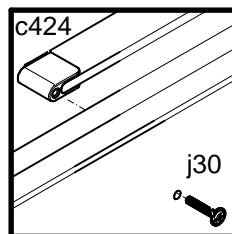
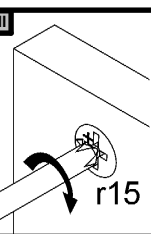
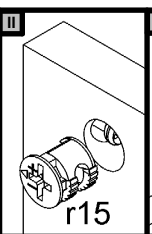
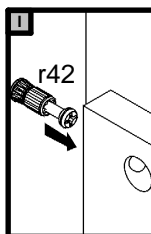
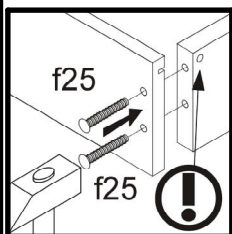
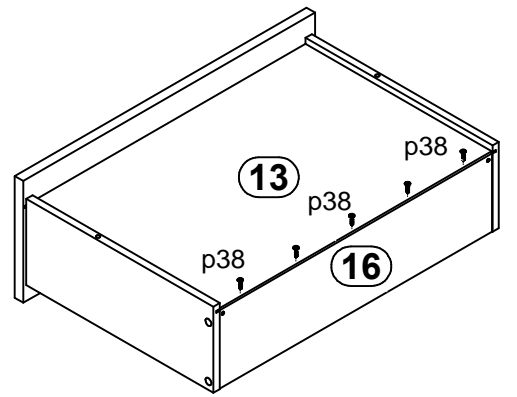
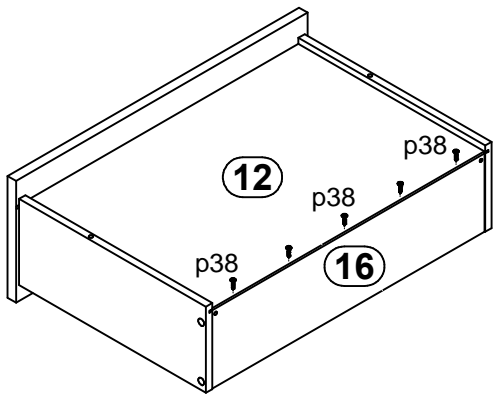
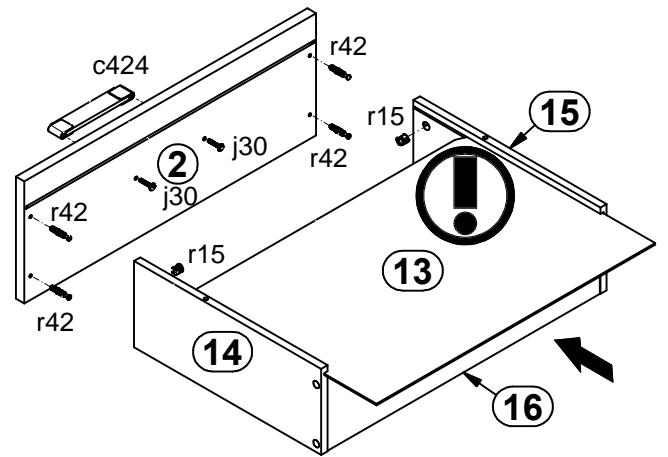
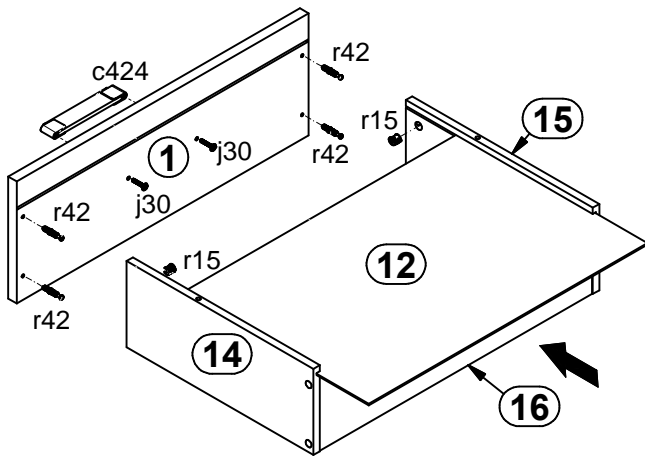
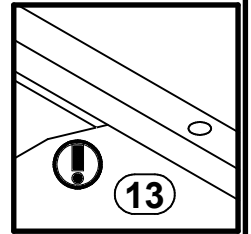
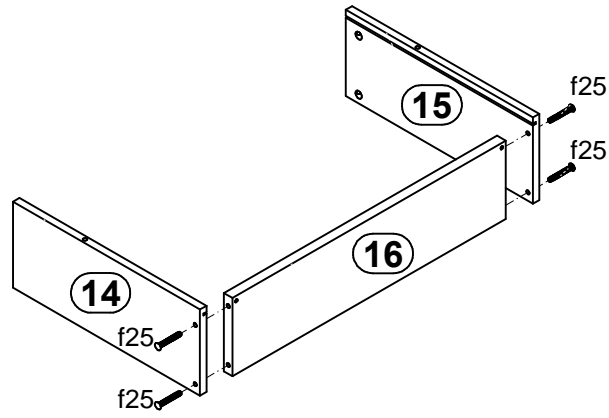
3



4



5



6

