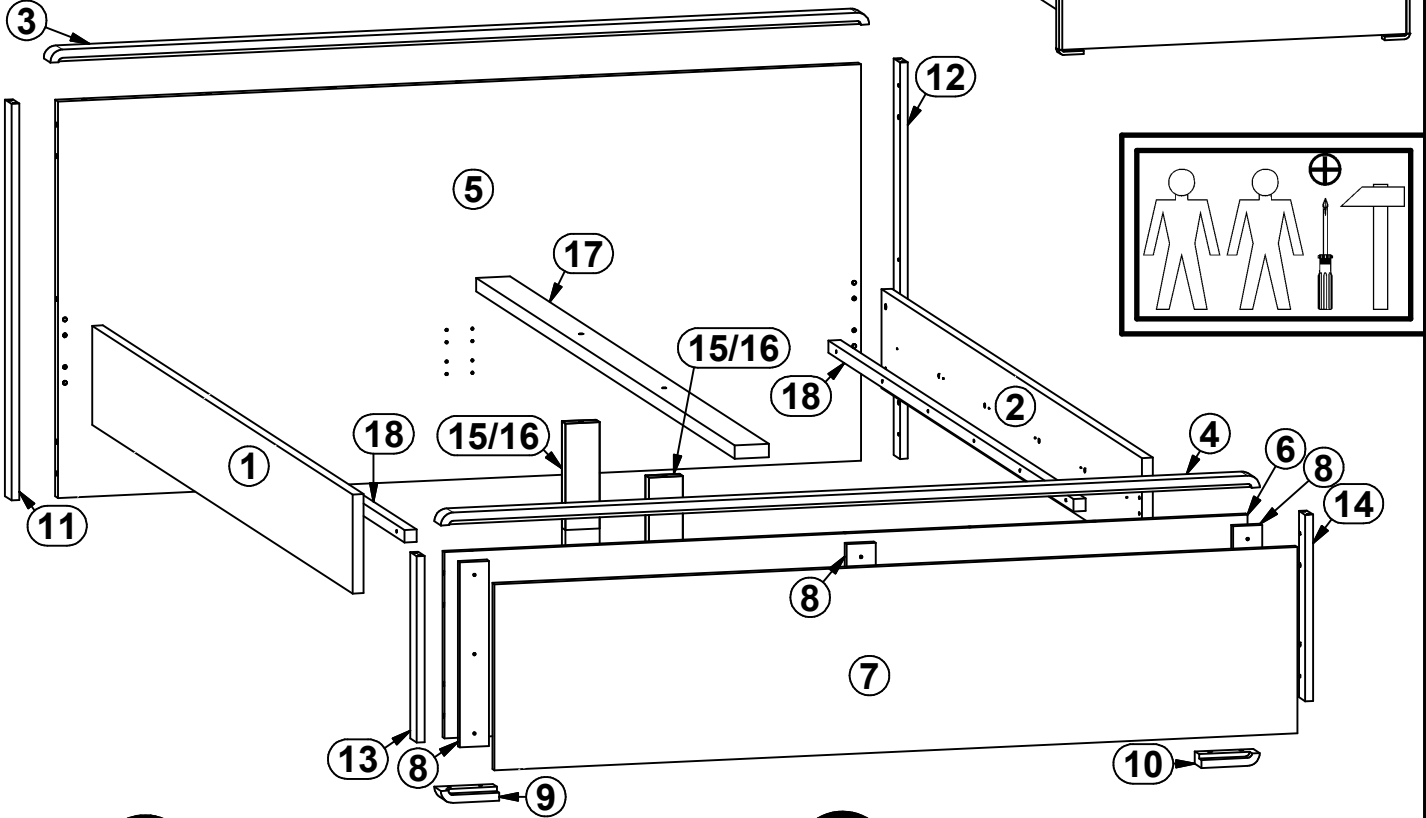
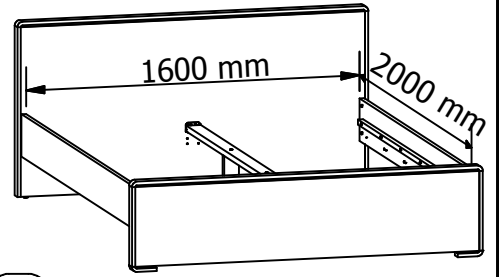
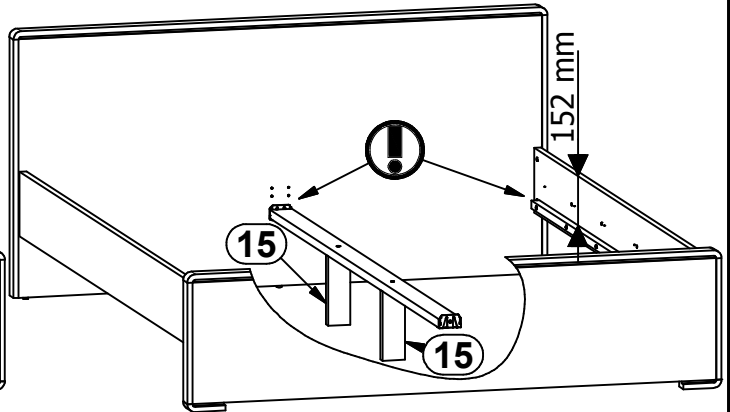
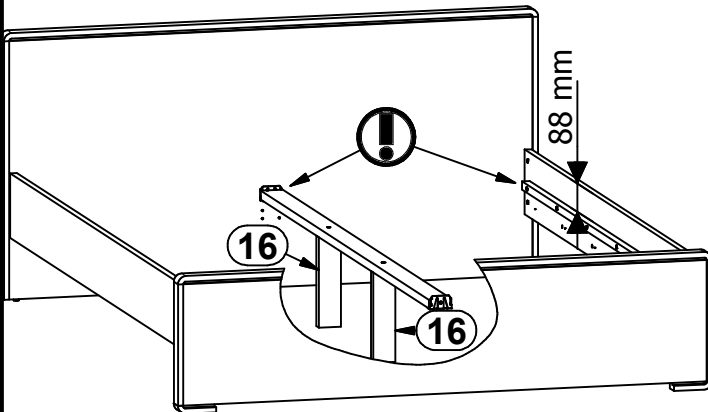


A	B	C	D	A	B	C	D		
1	S332-1029	2000	200	2/2	10	S332-5002	120	50	2/2
2	S332-1030	2000	200	2/2	11	S332-5005	800	49	1/2
3	S332-2012	1683	50	2/2	12	S332-5006	800	49	1/2
4	S332-2013	1683	50	2/2	13	S332-5007	376	49	2/2
5	S332-4004	1650	800	1/2	14	S332-5008	376	49	2/2
6	S332-4005	1650	376	1/2	15	ZZ1-414	215	70	2/2
7	S332-4006	1650	376	1/2	16	ZZ1-419	280	70	2/2
8	S332-4007	374	60	2/2	17	ZZ1-719	1983	70	2/2
9	S332-5001	120	50	2/2	18	ZZ1-747	1880	25	2/2

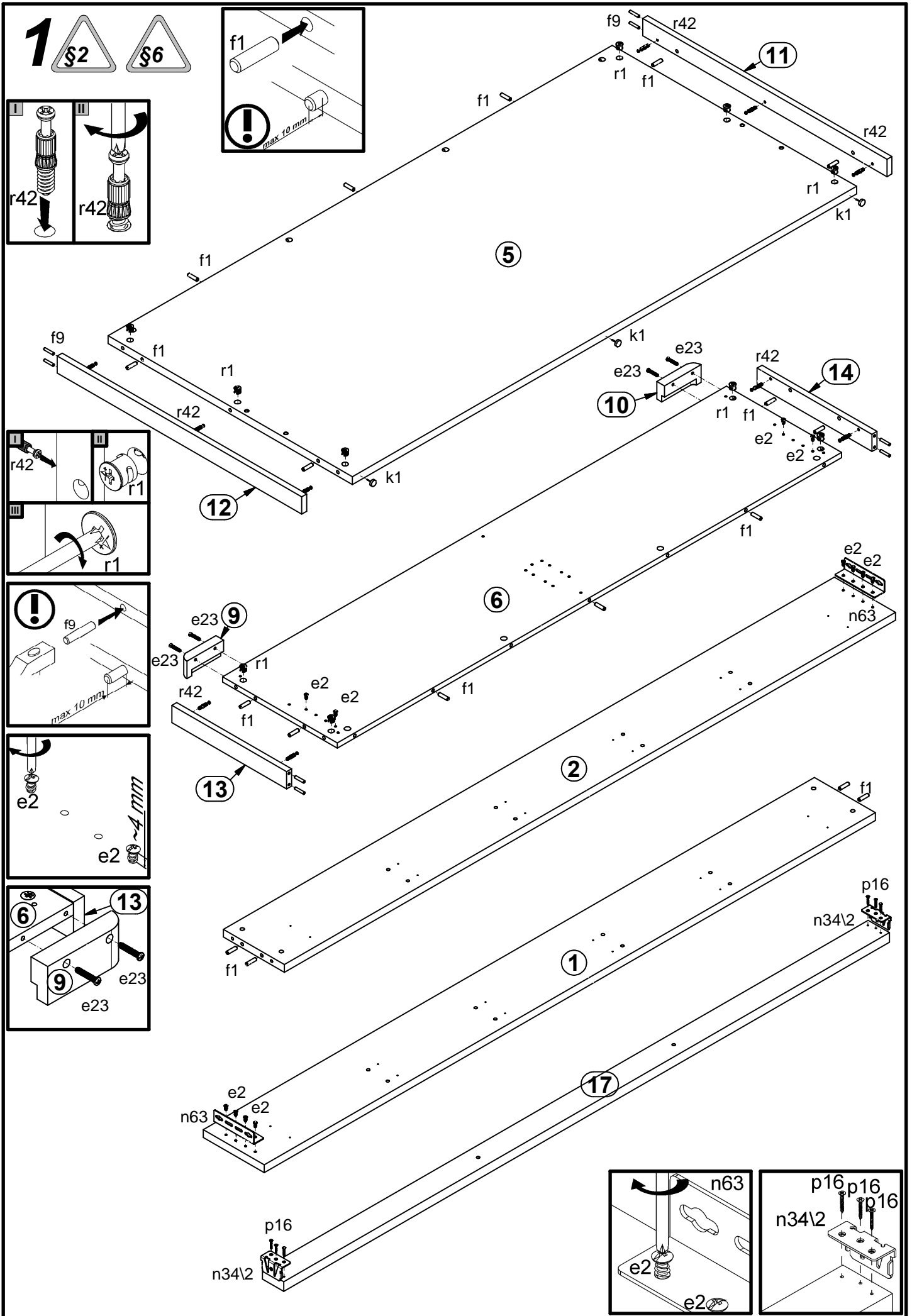


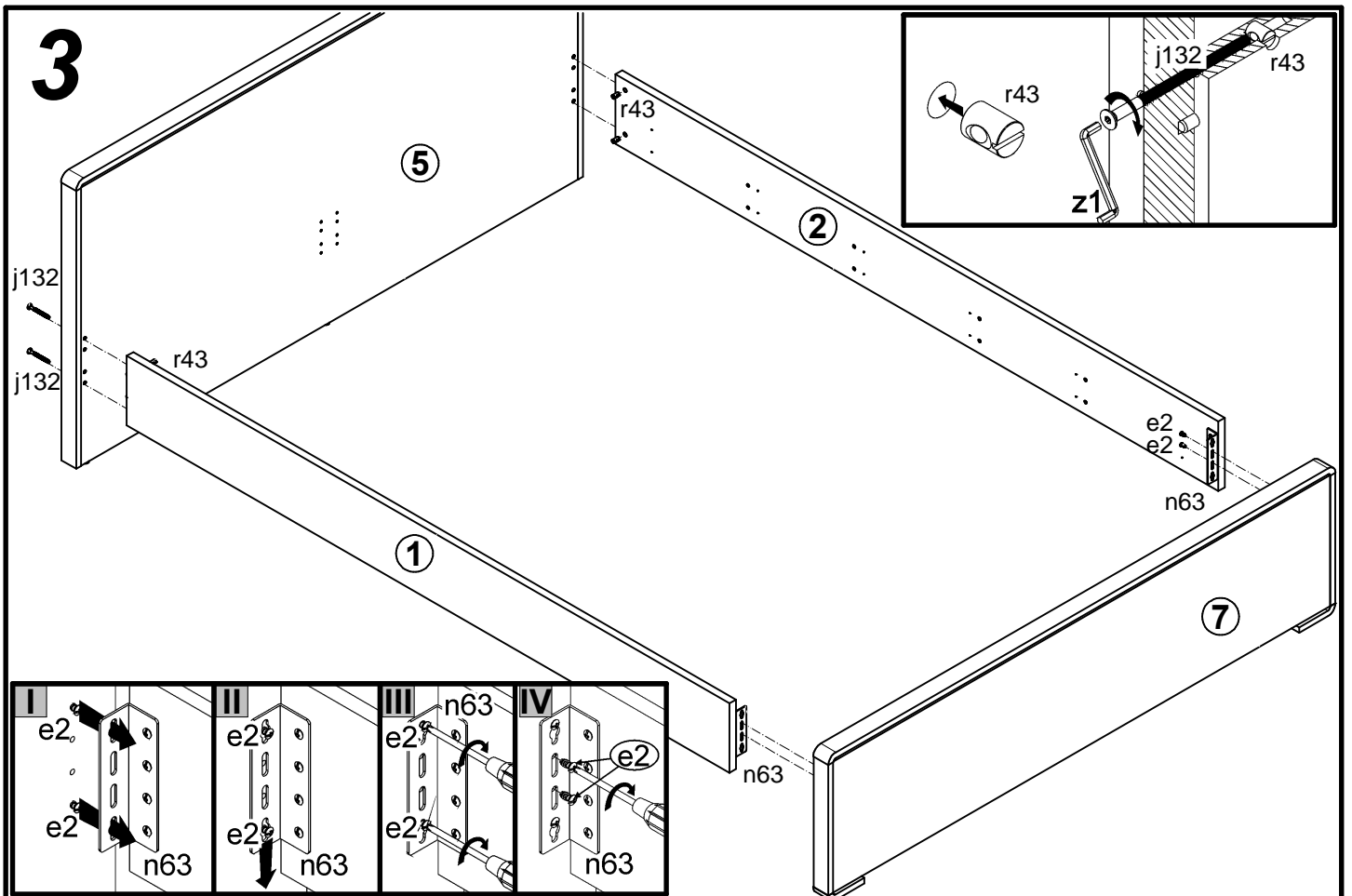
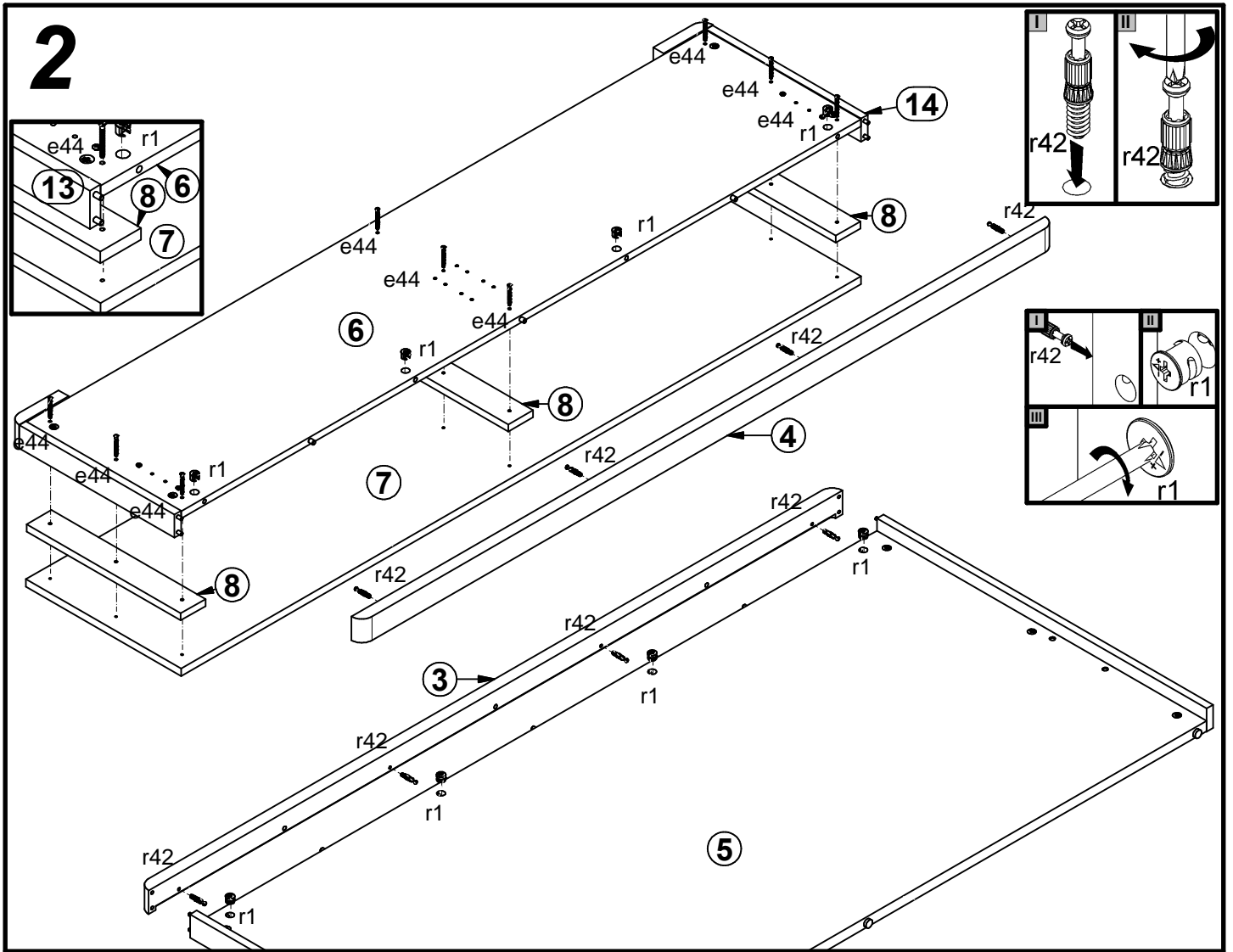
## A!

## B!

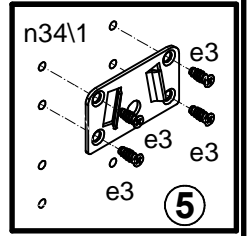
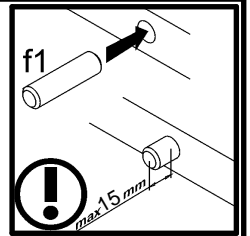
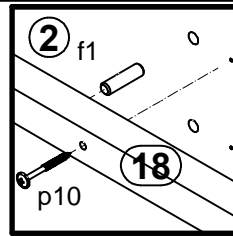
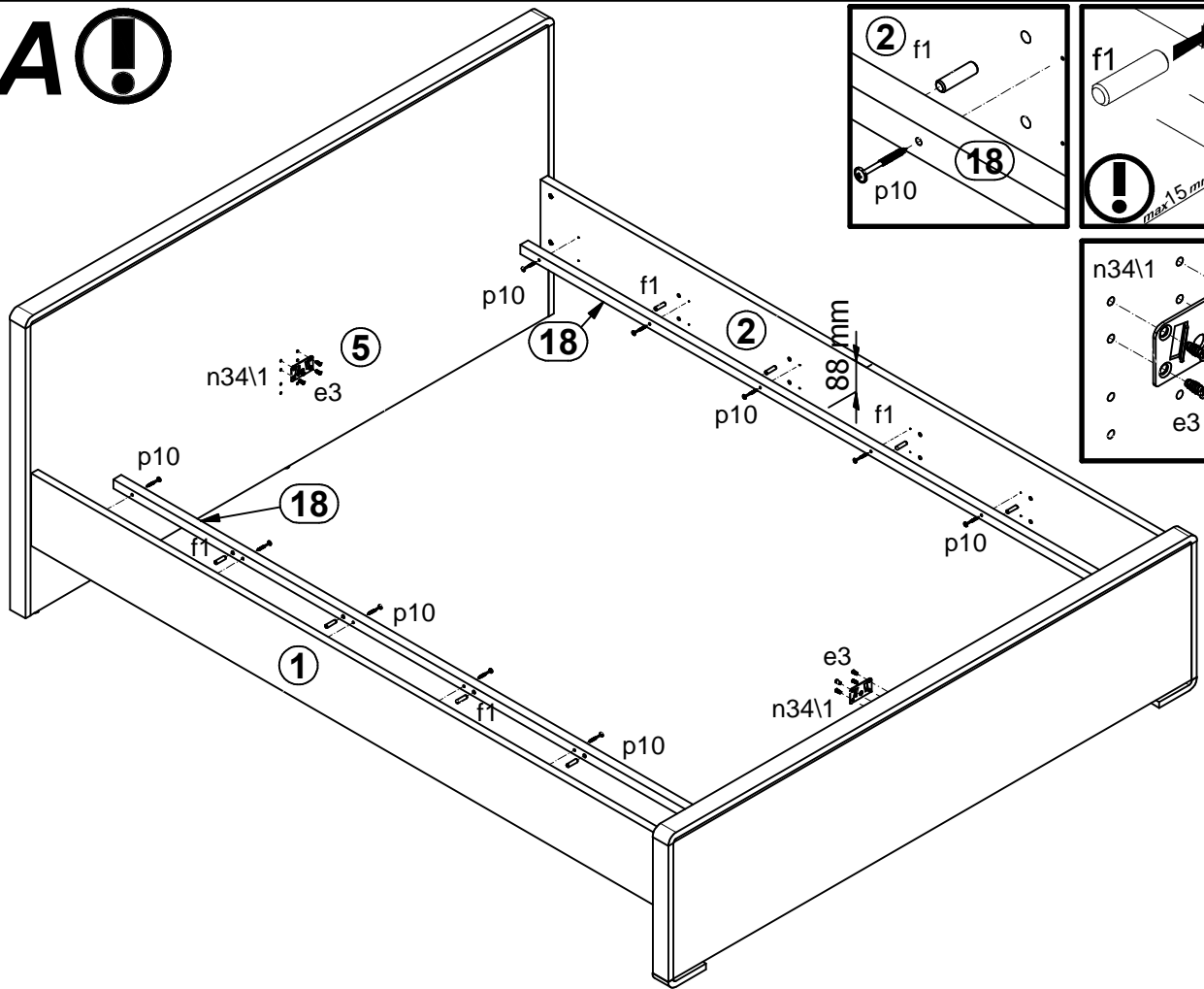


16x Ø6.3x13 mm e2	8x Ø6x13 mm e3	2x Ø7x60 mm e8	4x Ø6.3x30 mm e23	9x Ø5x42 mm e44	26x Ø8x30 mm f1	8x Ø6x30 mm f9	4x M6x85 mm j132	3x k1
2x n341	2x n342	2x 130x34x34/2 mm n63	6x Ø4x35 mm p6	12x Ø4x40 mm p10	6x Ø3.5x25 mm p16	18x Ø15x12 mm #16 r1	18x 20/11 r42	4x Ø10x16 mm r43
6x s2	3x Ø12x0.5 mm s59	1x z1						

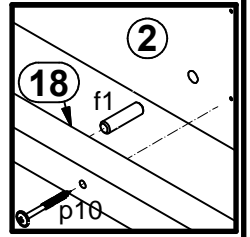
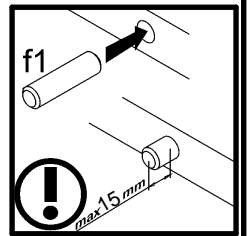
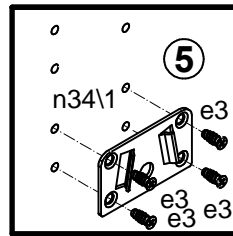
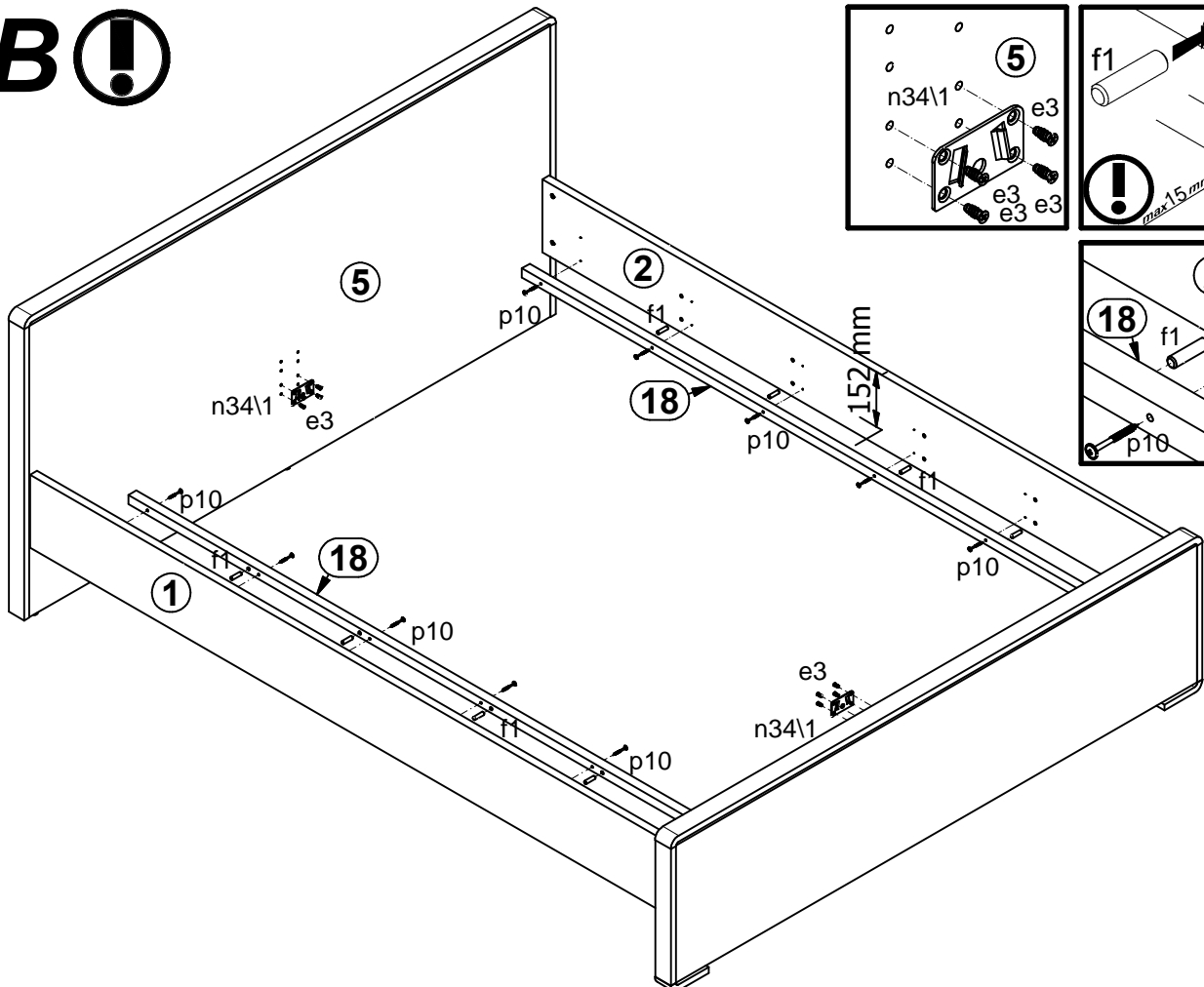




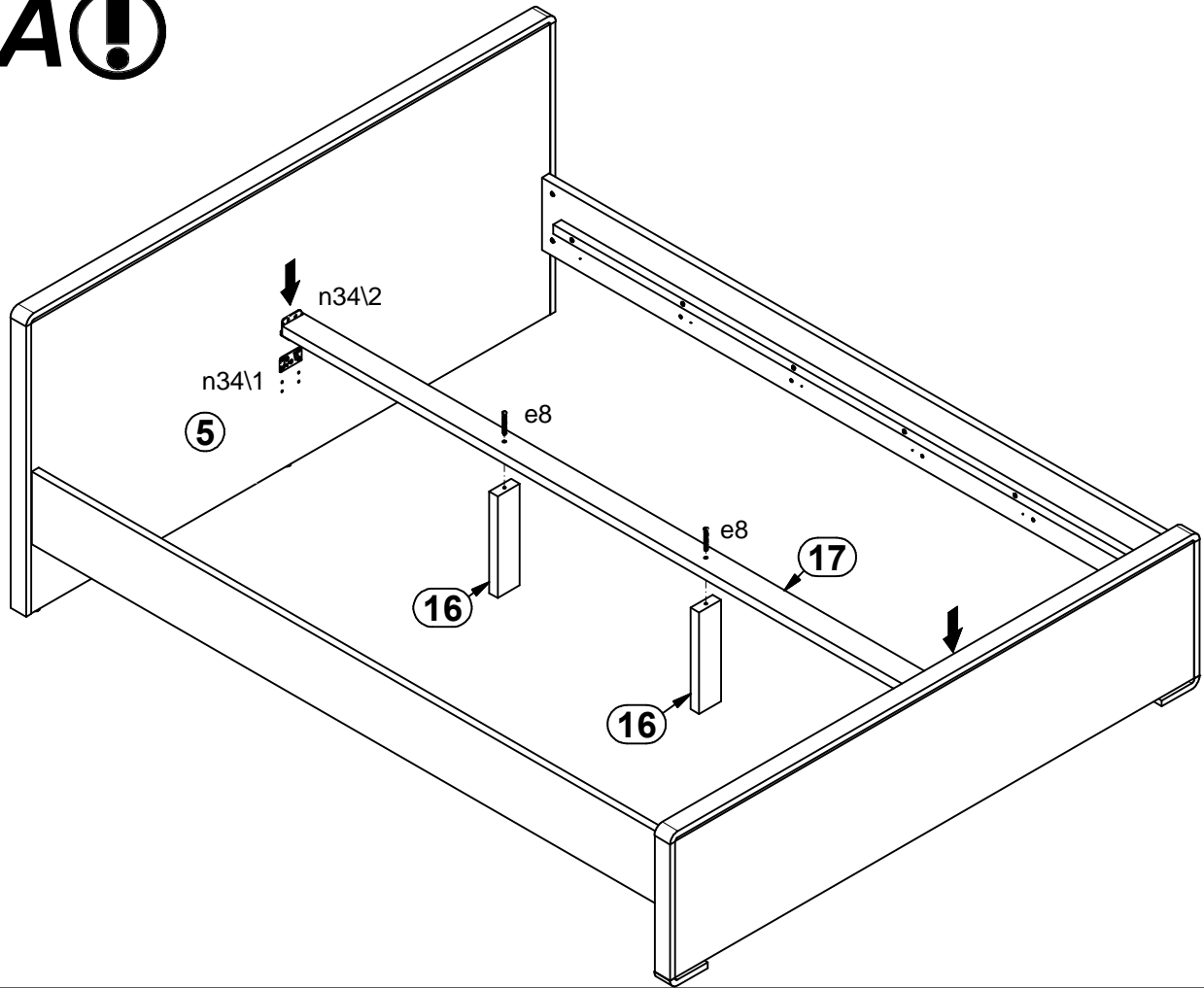
# 4A!



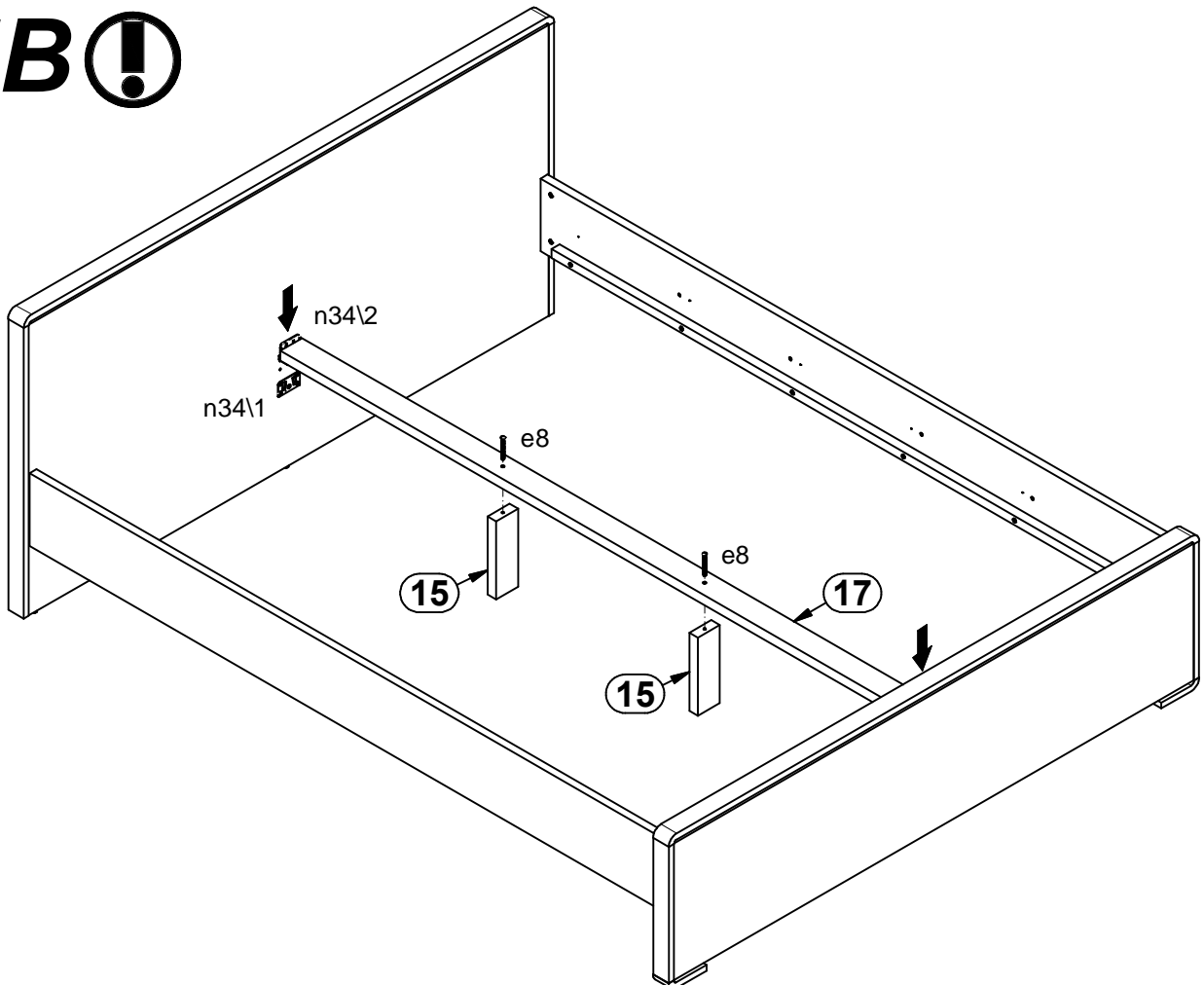
# 4B!



# 5A!



# 5B!



# 6

