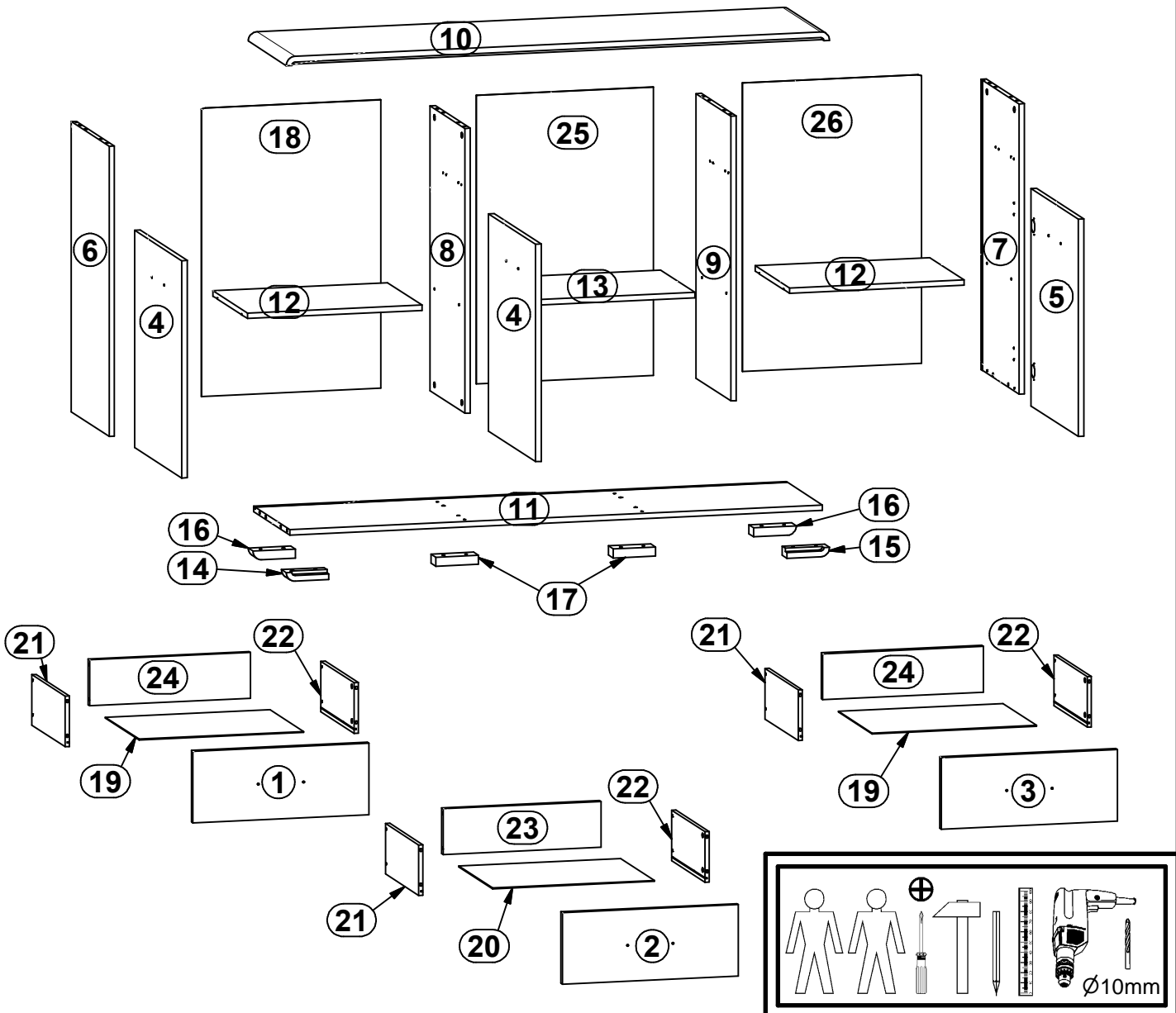
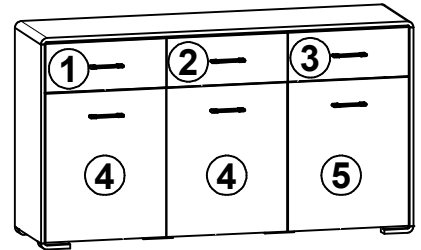
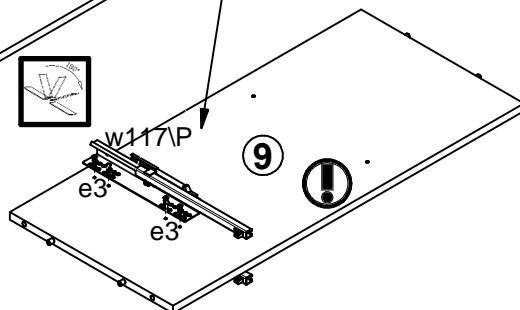
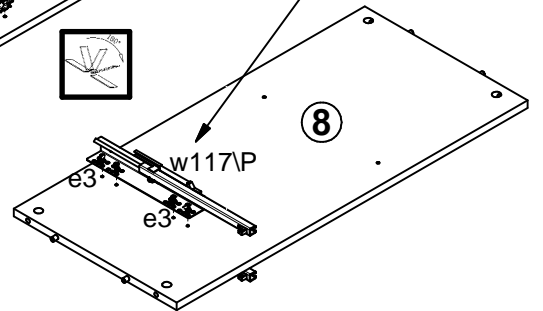
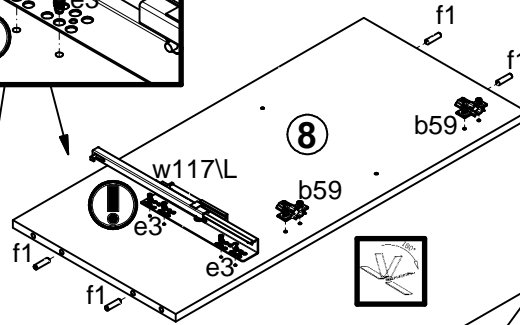
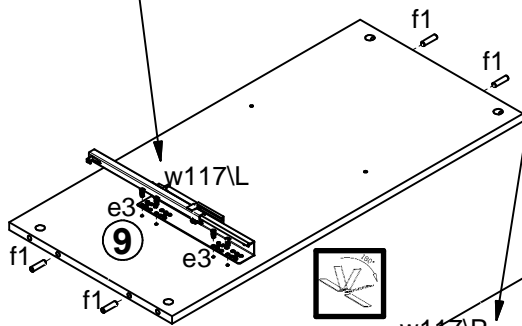
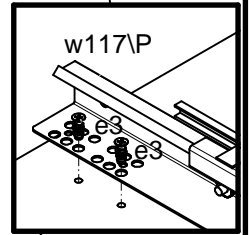
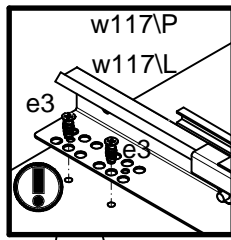
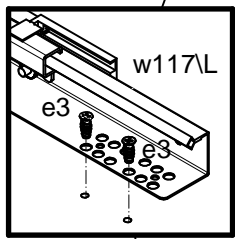
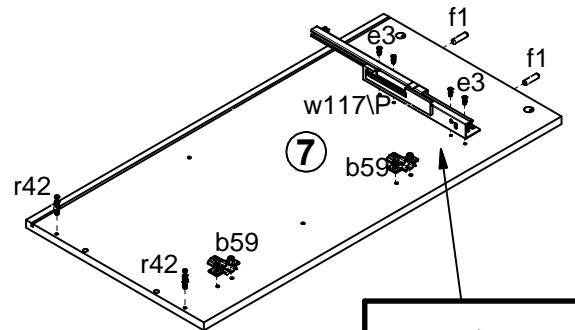
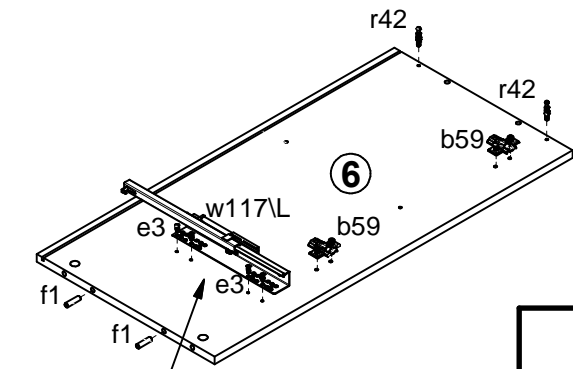
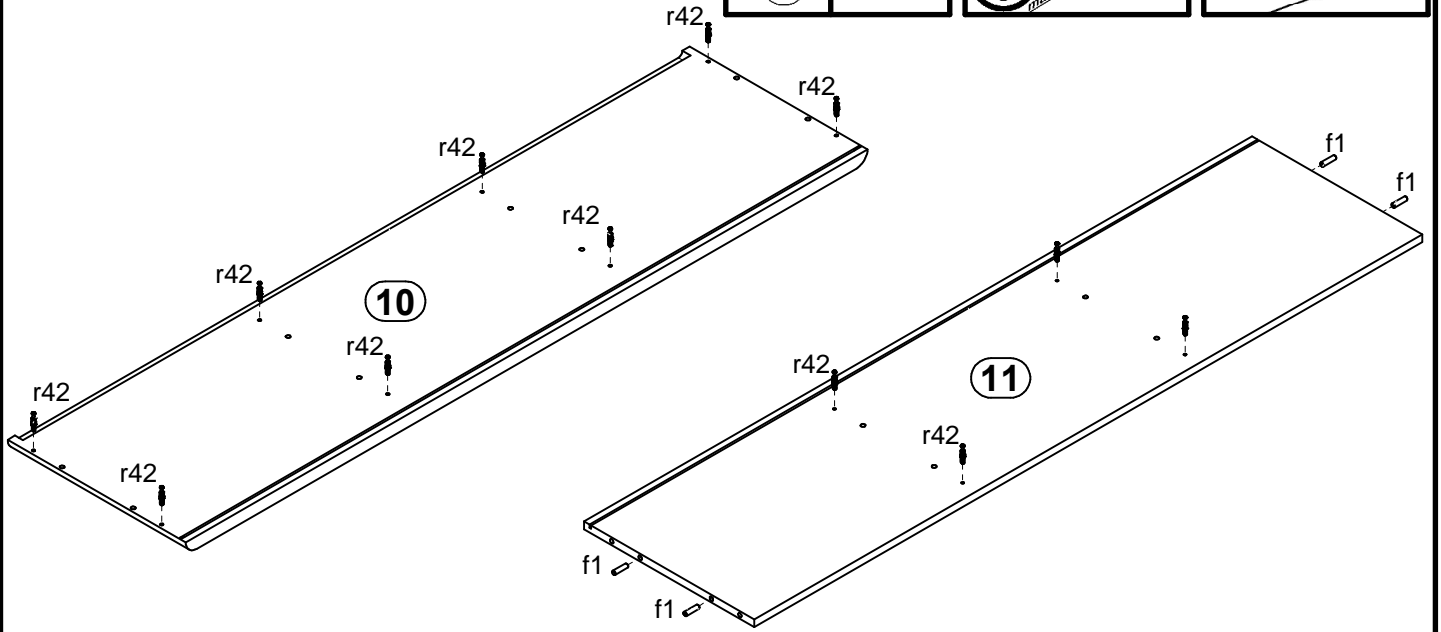
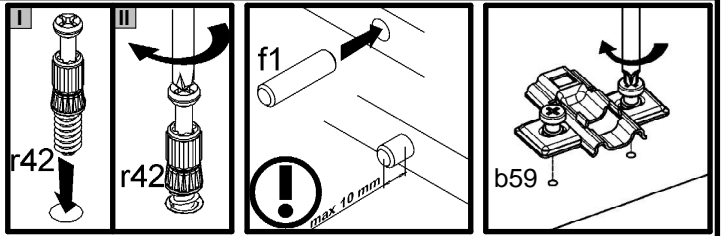


A	B	C	D	A	B	C	D		
1	S332-0001	496	198	2/2	14	S332-5001	120	50	1/2
2	S332-0002	496	198	2/2	15	S332-5002	120	50	1/2
3	S332-0003	496	198	2/2	16	S332-5003	120	50	1/2
4	S332-0004	602	496	2/2	17	S332-5004	120	50	1/2
5	S332-0006	602	496	2/2	18	S332-9001	799	505	2/2
6	S332-1001	804	400	1/2	19	S332-9003	464	355	1/2
7	S332-1002	804	400	1/2	20	S332-9004	456	355	1/2
8	S332-1003	789	366	1/2	21	ZQ2-505	350	140	1/2
9	S332-1004	789	366	1/2	22	ZQ2-506	350	140	1/2
10	S332-2001	1532	400	1/2	23	ZQ2-527	445	127	1/2
11	S332-3001	1501	382	1/2	24	ZQ2-528	453	127	1/2
12	S332-3002	492	363	1/2	25	S332-9019	799	499	2/2
13	S332-3004	484	363	1/2	26	S332-9020	799	505	2/2

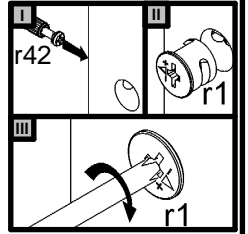
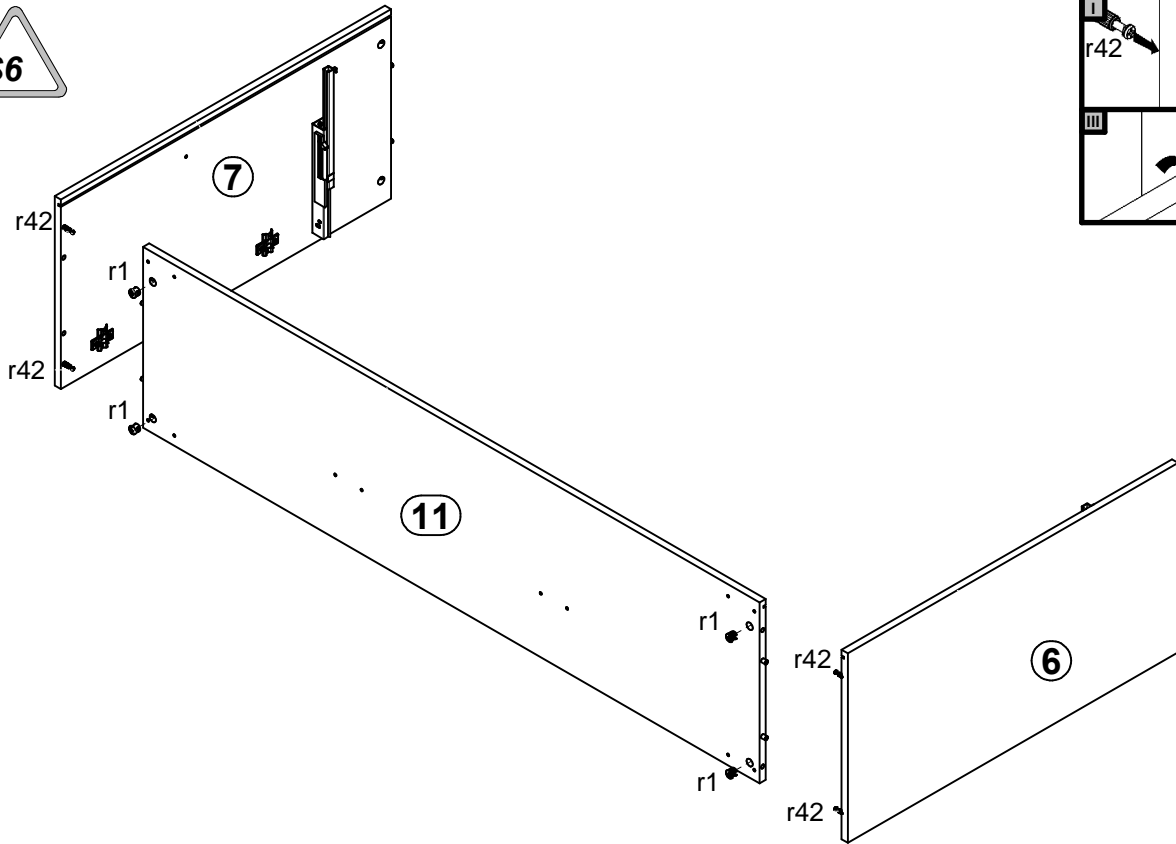


4x K16: #35 a101	2x K9: #35 a103	6x b59	6x 128 mm c424	12x Ø5x17 mm d1	24x Ø6x13 mm e3	12x Ø6x22 mm e31	16x Ø8x30 mm f1	12x Ø6.5x40 mm f25
12x M4x22 mm j30	30x l1	12x l2	12x Ø3.5x16 mm p38	12x Ø3.5x15 mm p51	16x Ø15x12 mm #16 r1	12x Ø12x10.5 mm #12 r15	28x 20/11 r42	3x 350 mm W117/L
3x 350 mm W117/P	1x n26/1	1x Ø3.5x16 mm p38	6x silikon o21	7x Ø16 s2				

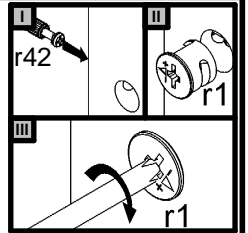
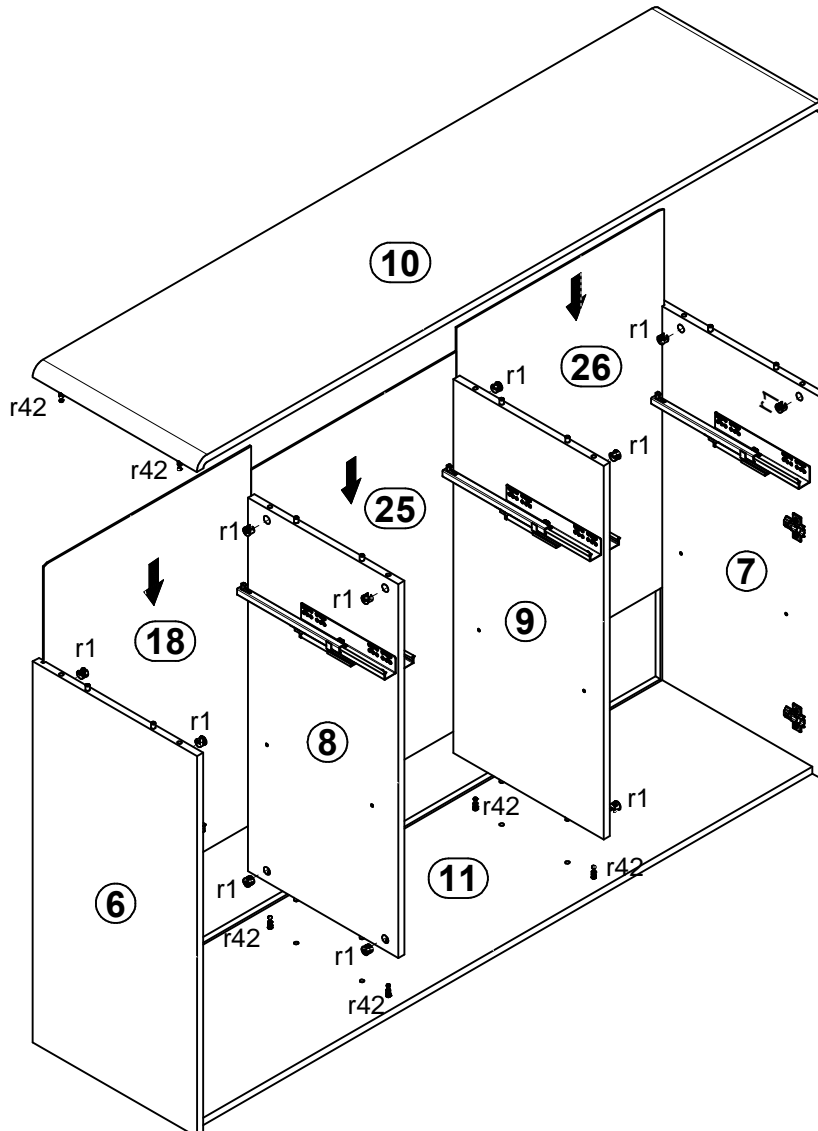
1 

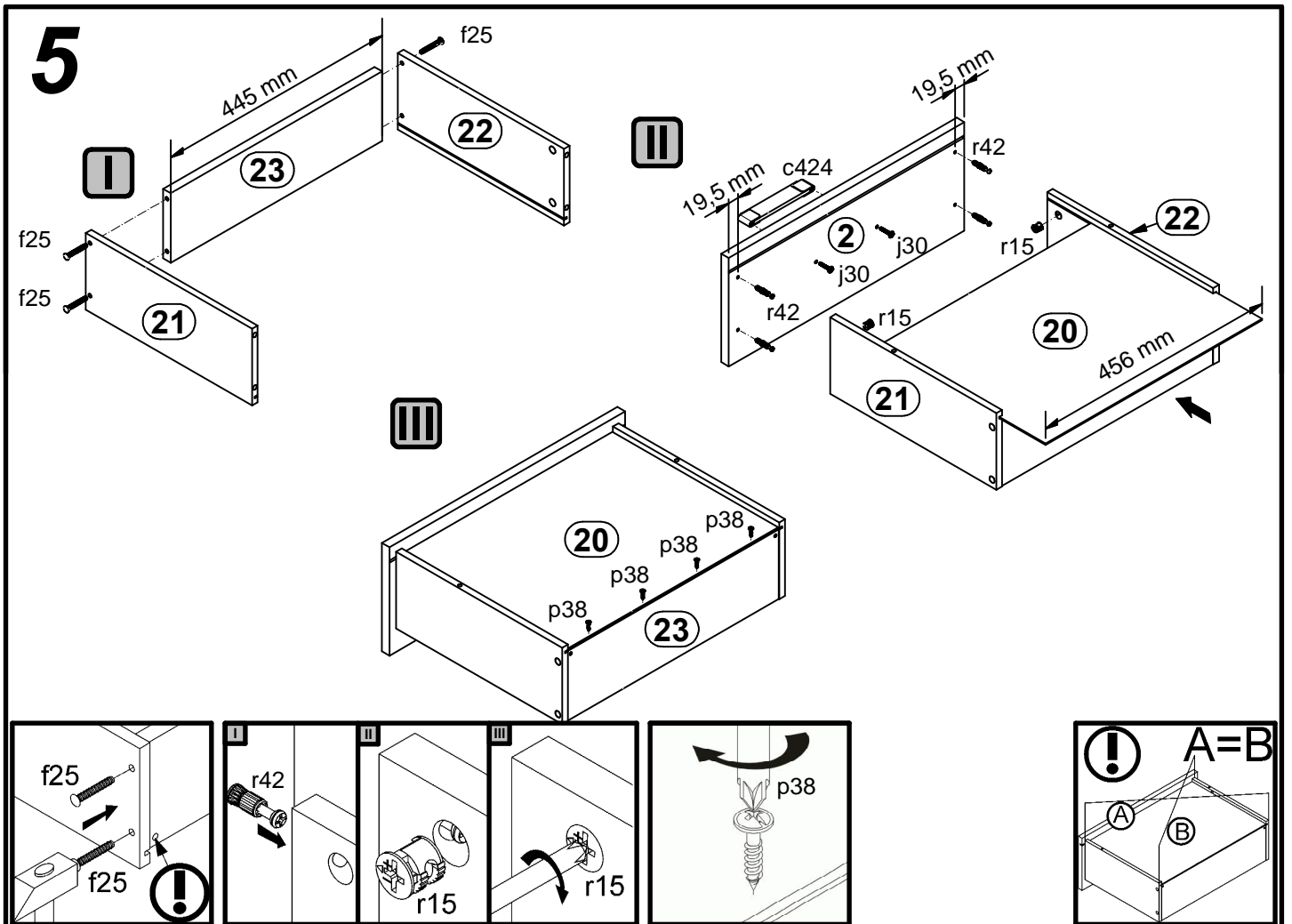
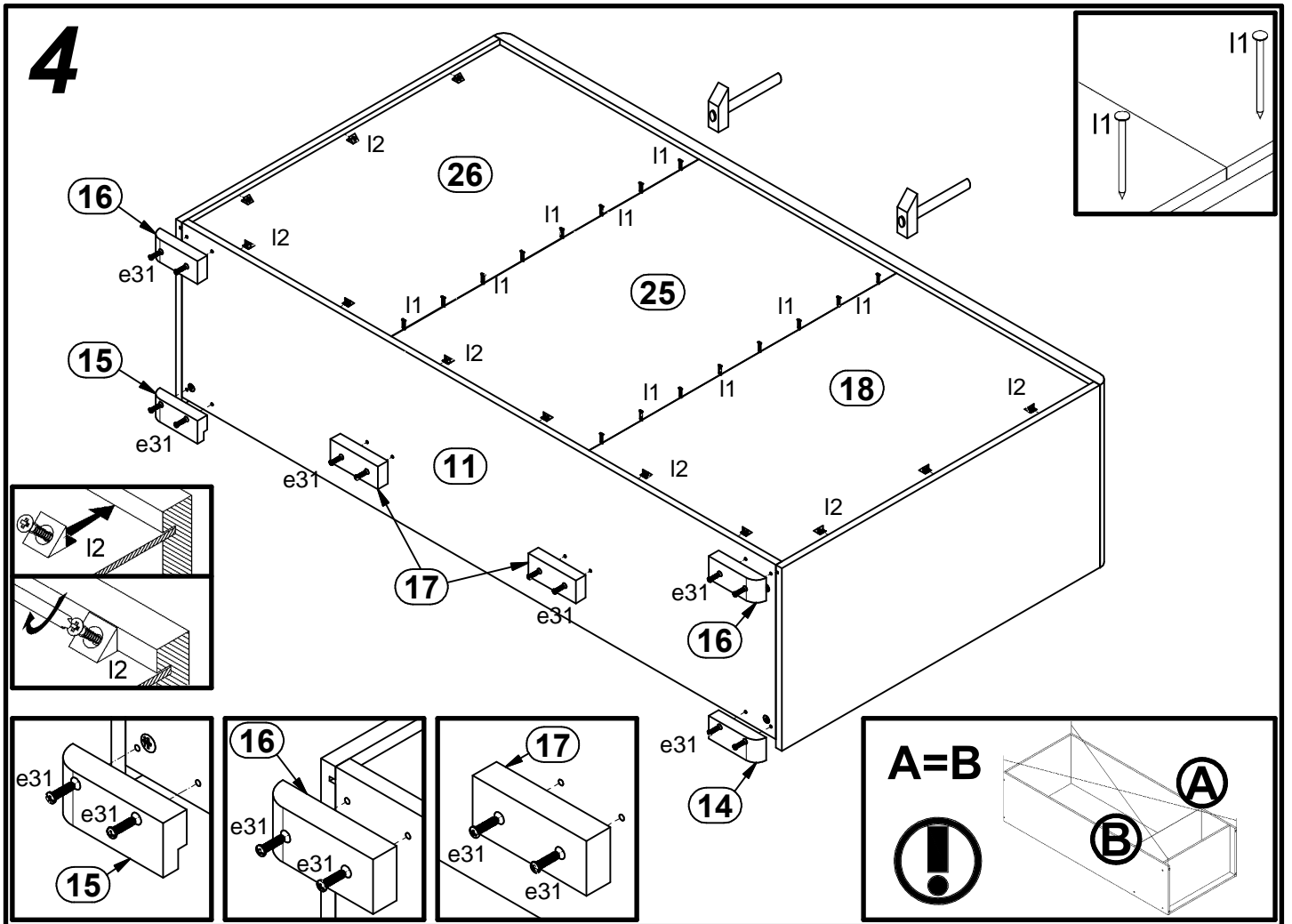


**2** §6

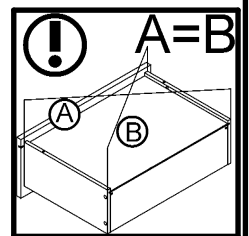
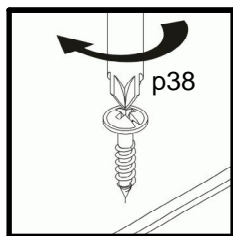
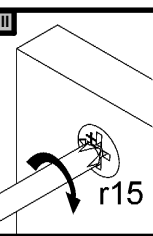
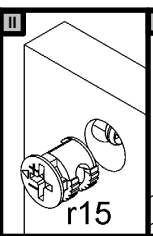
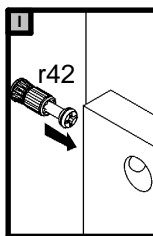
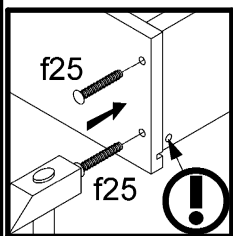
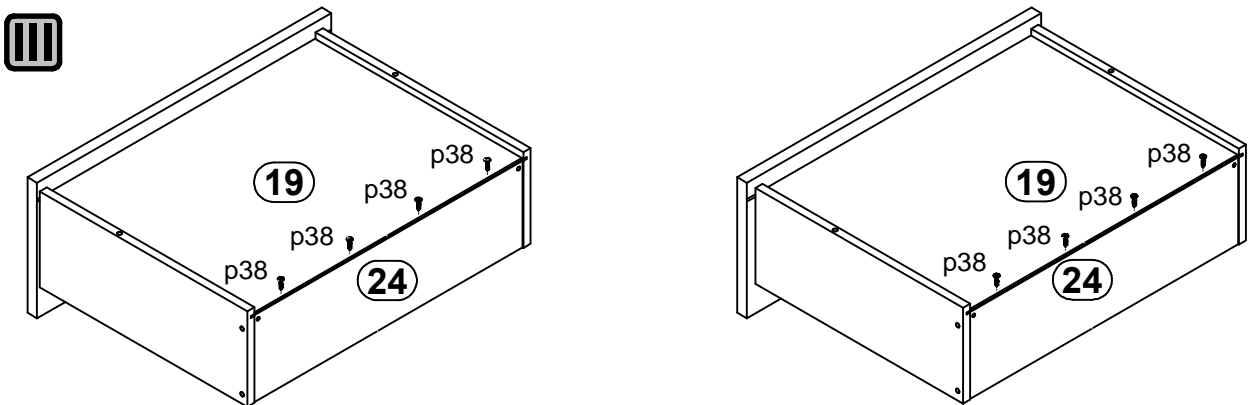
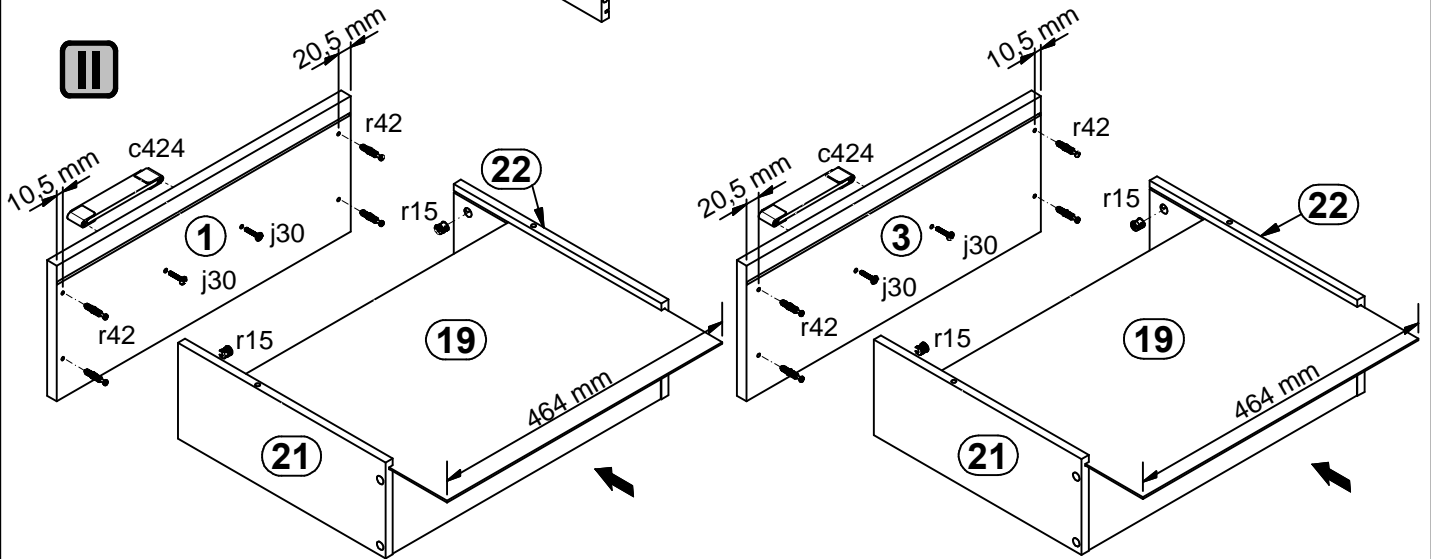
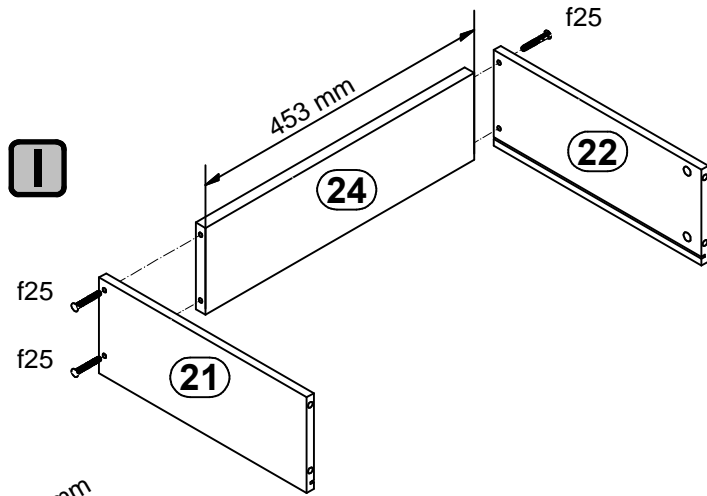


**3**

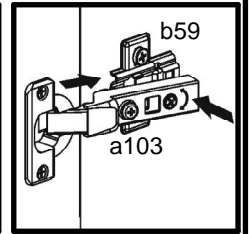
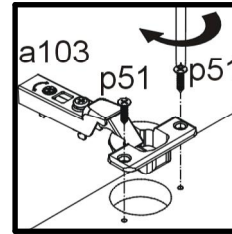
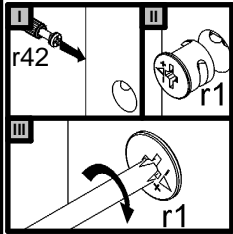
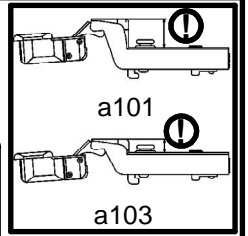
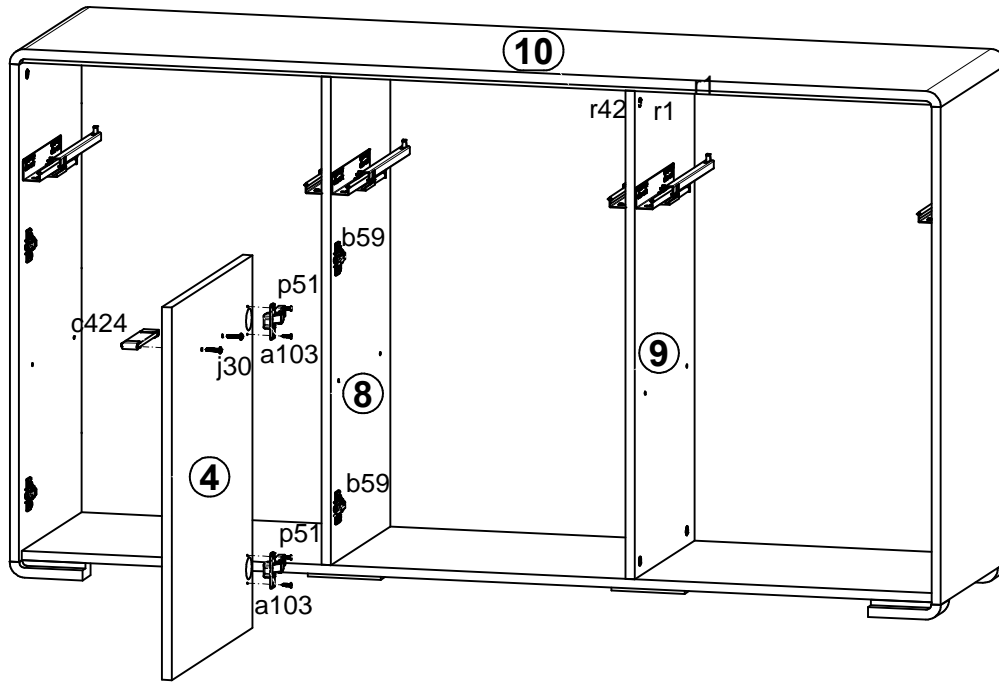




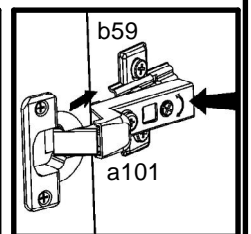
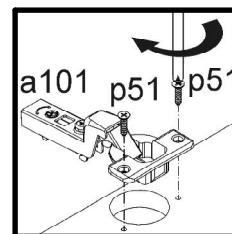
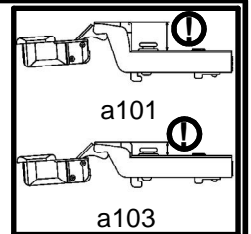
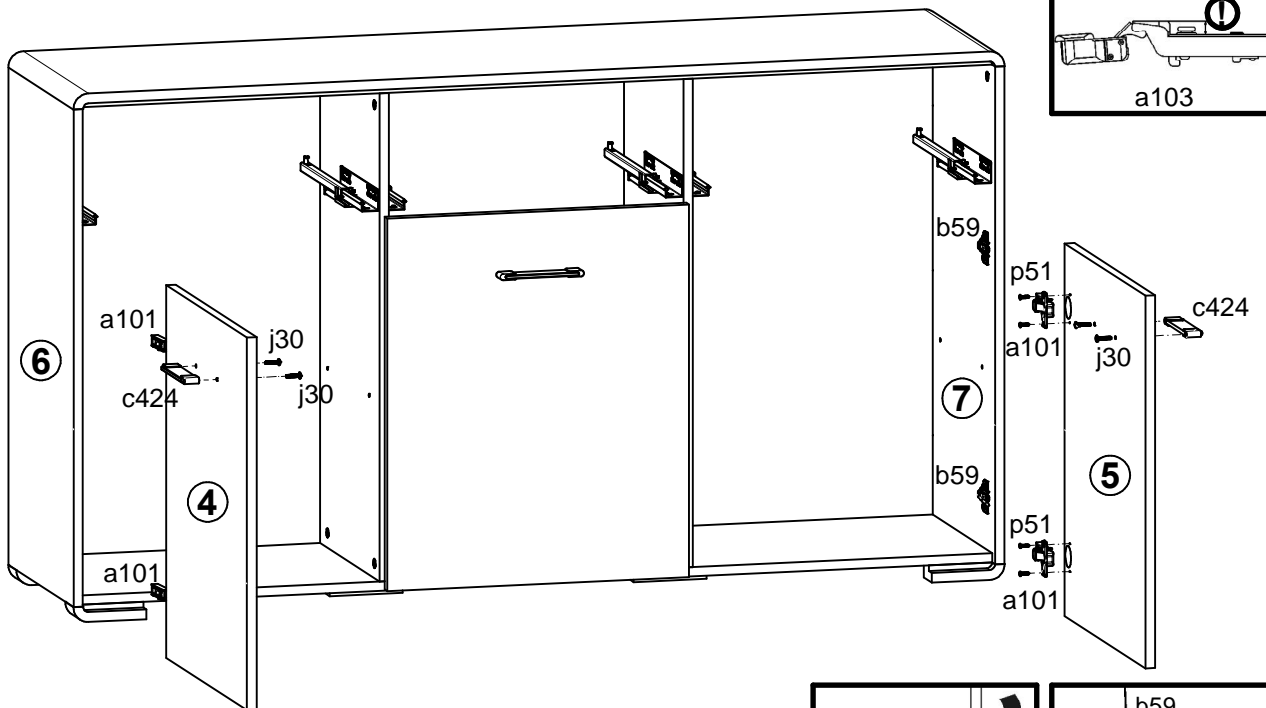
# 6



# 7



# 8



# 9

