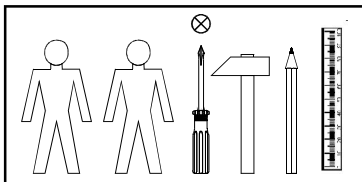
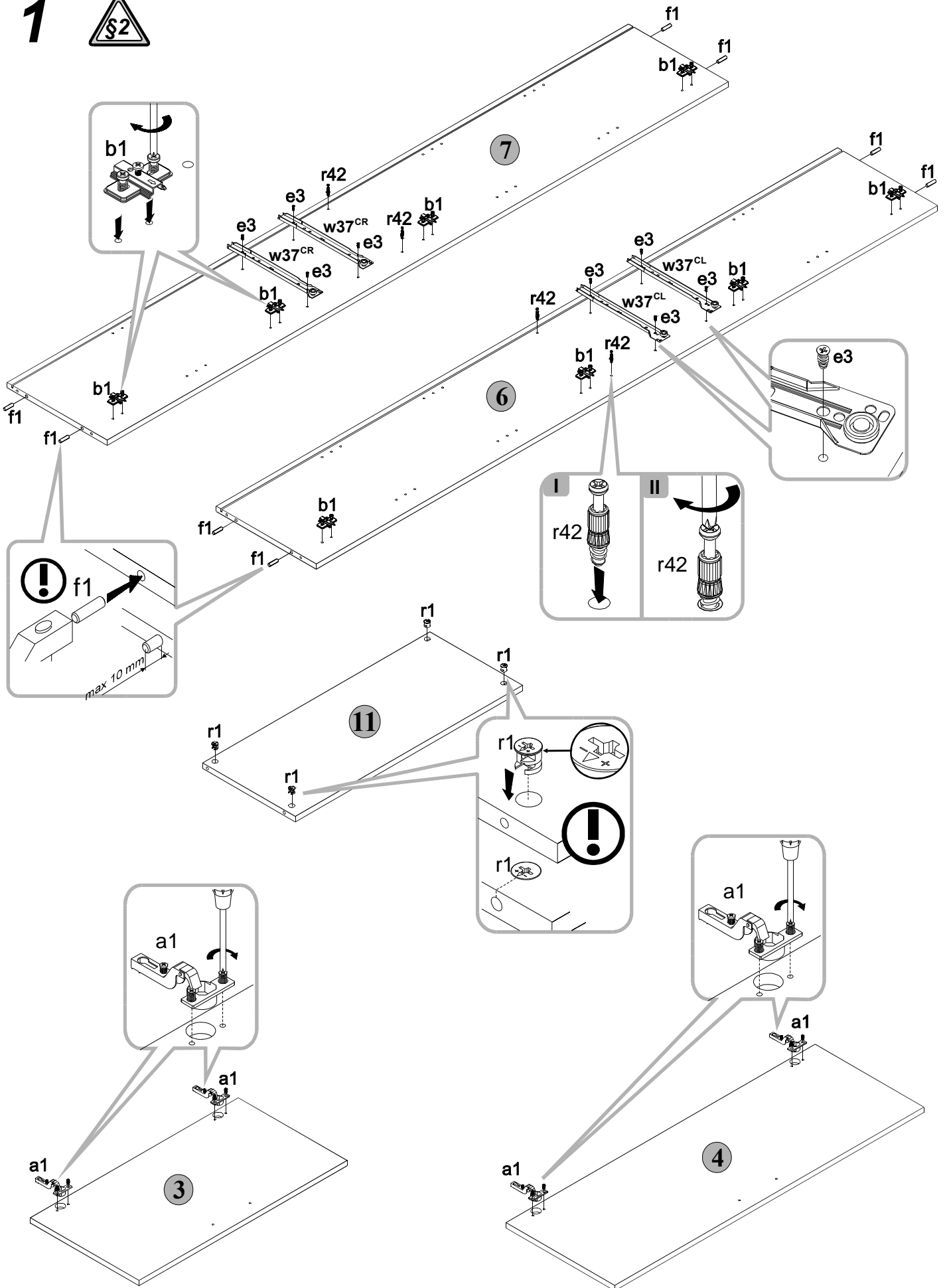


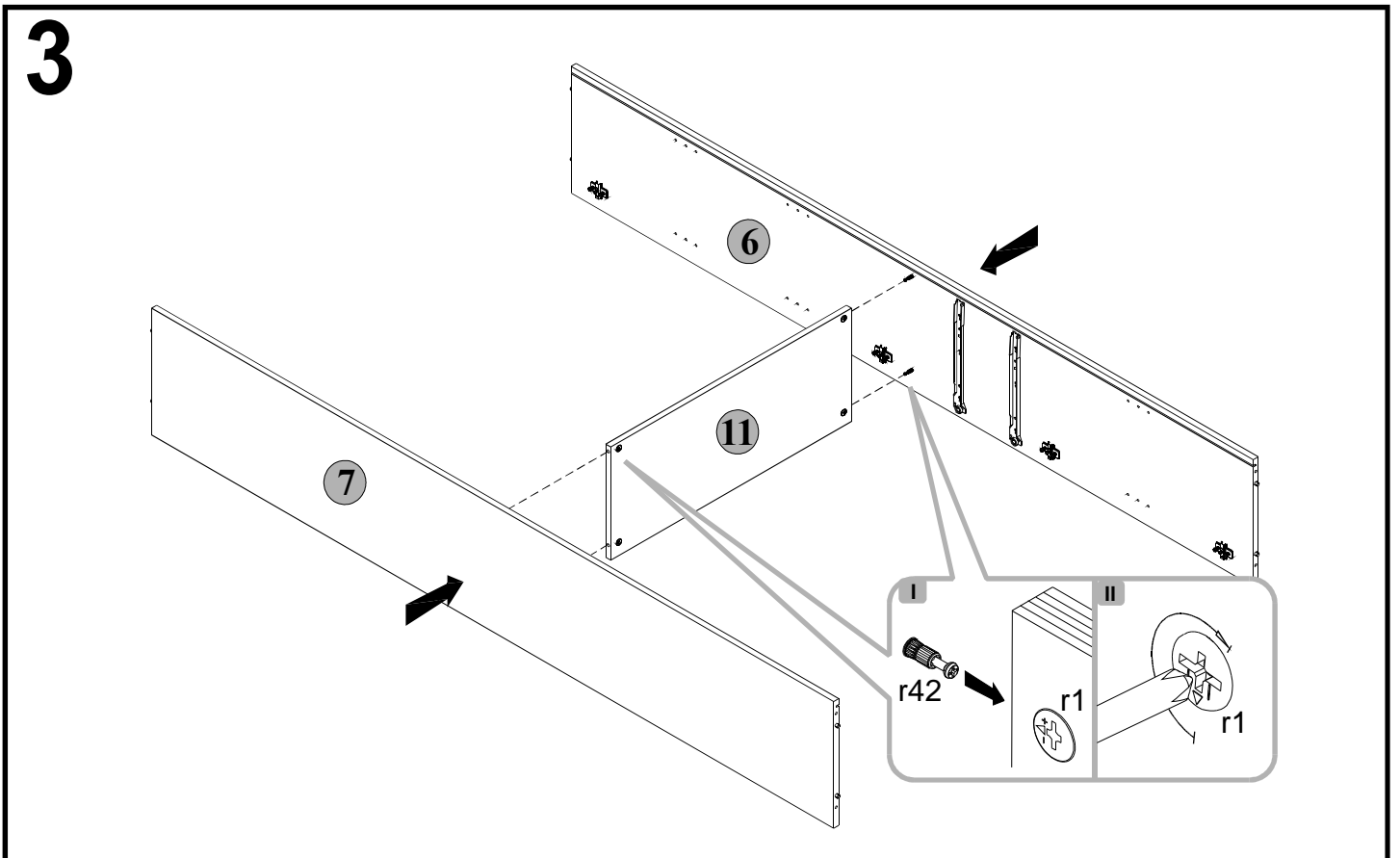
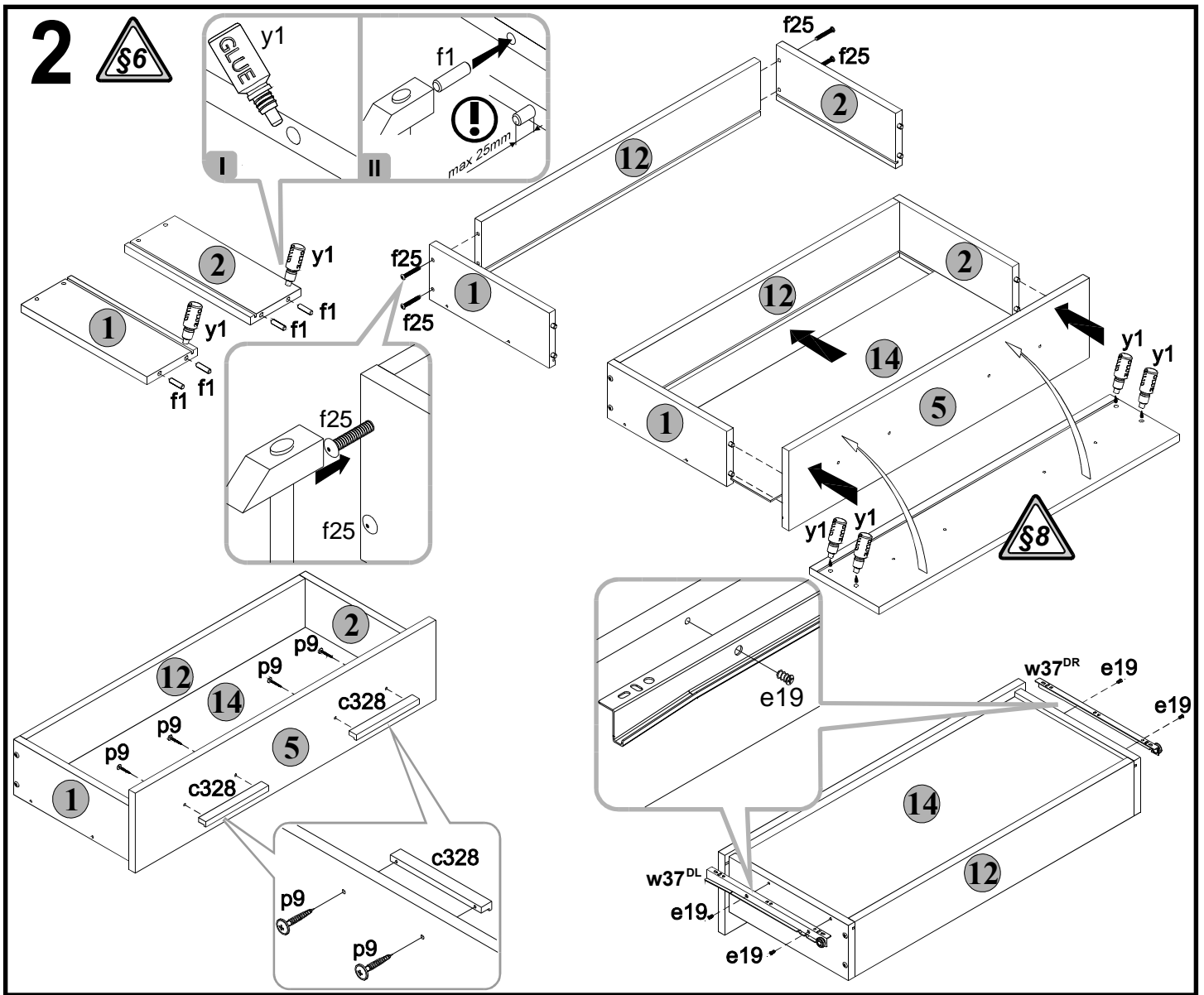
A	B	C	D
1	MZ1-556	300x120	2/2
2	MZ1-557	300x120	2/2
3	S171-001	719x376	1/2
4	S171-002	1069x376	1/2
5	S171-003A	754x173	2/2
6	S171-101A	2148x346	1/2
7	S171-102A	2148x346	1/2
8	S171-202	791x350	2/2
9	S171-203	791x350	2/2
10	S171-302A	757x309	2/2
11	S171-304	758x309	2/2
12	S171-505	701x120	1/2
13	S171-901	2162x771	1/2
14	S171-902	711x294	2/2

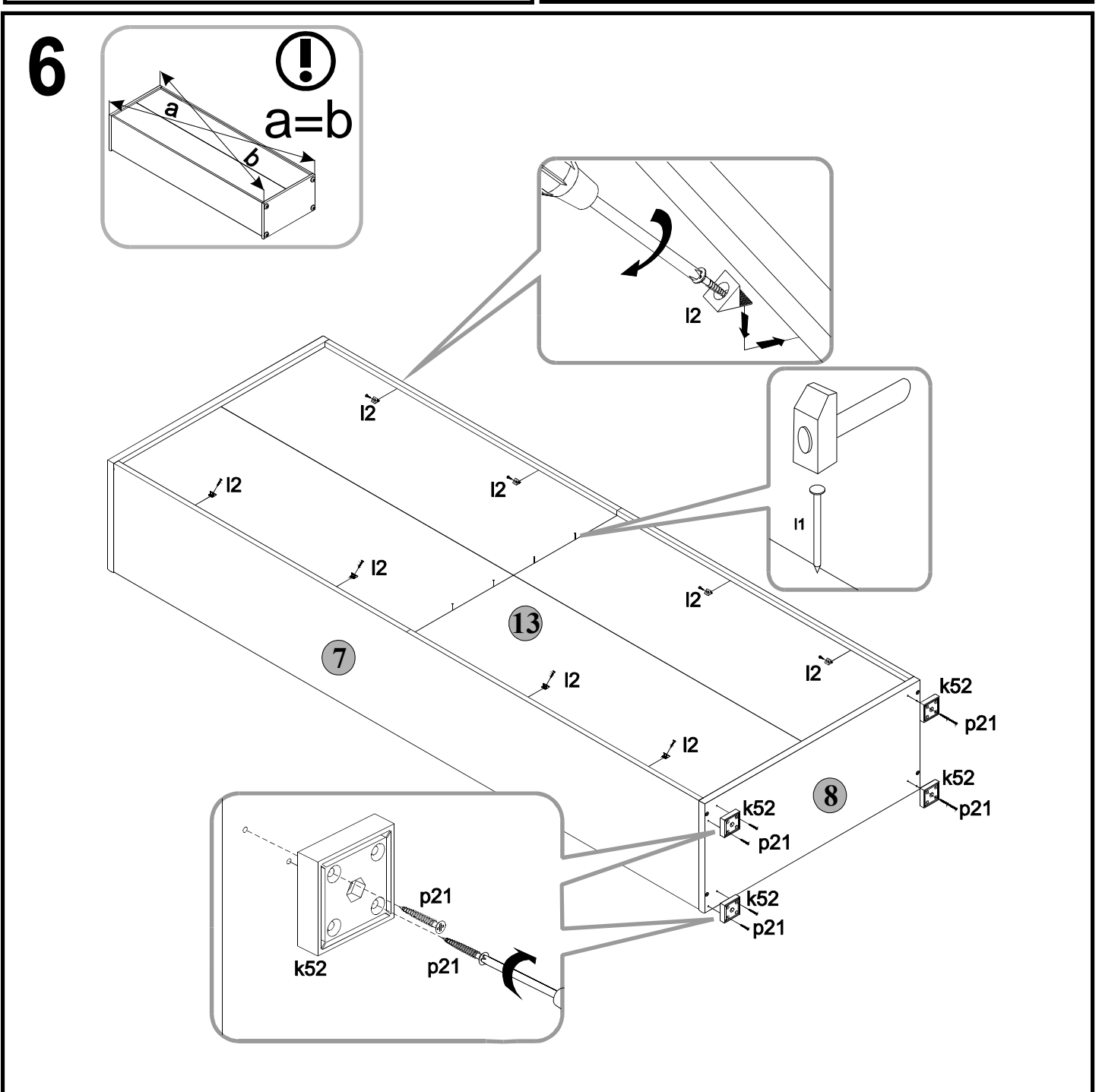
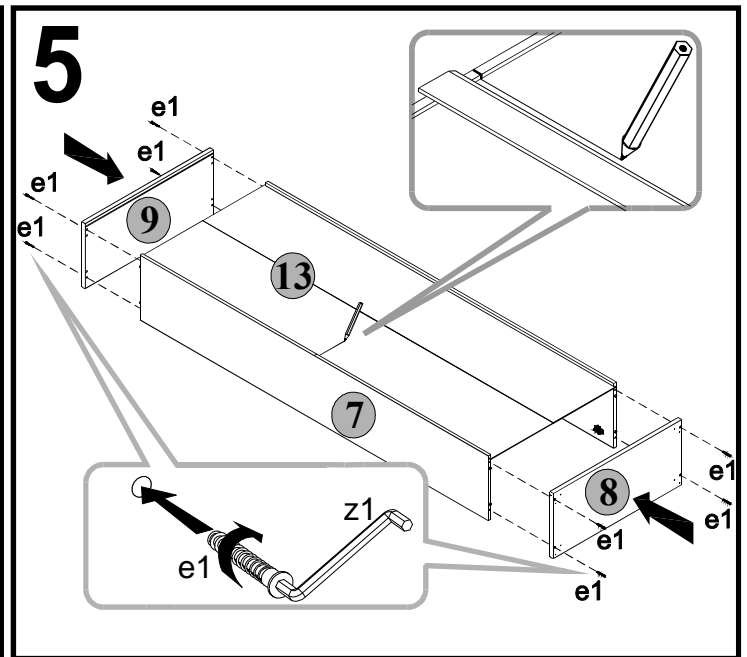
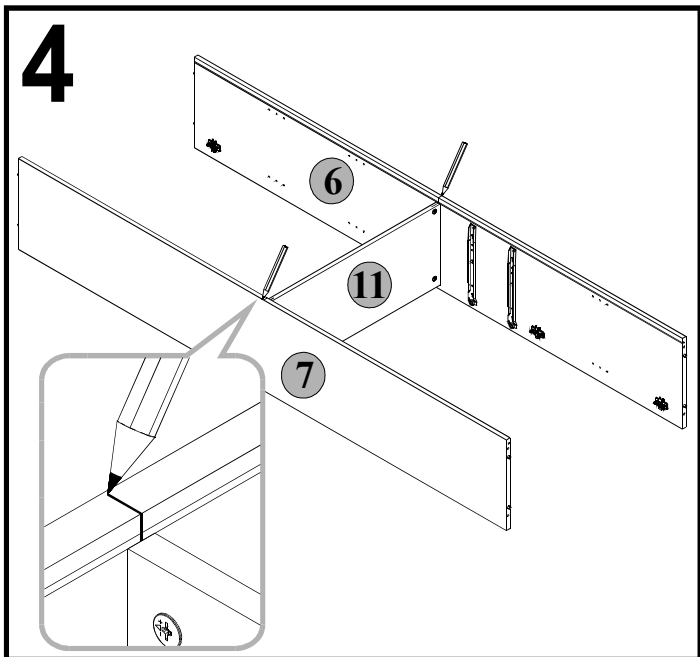


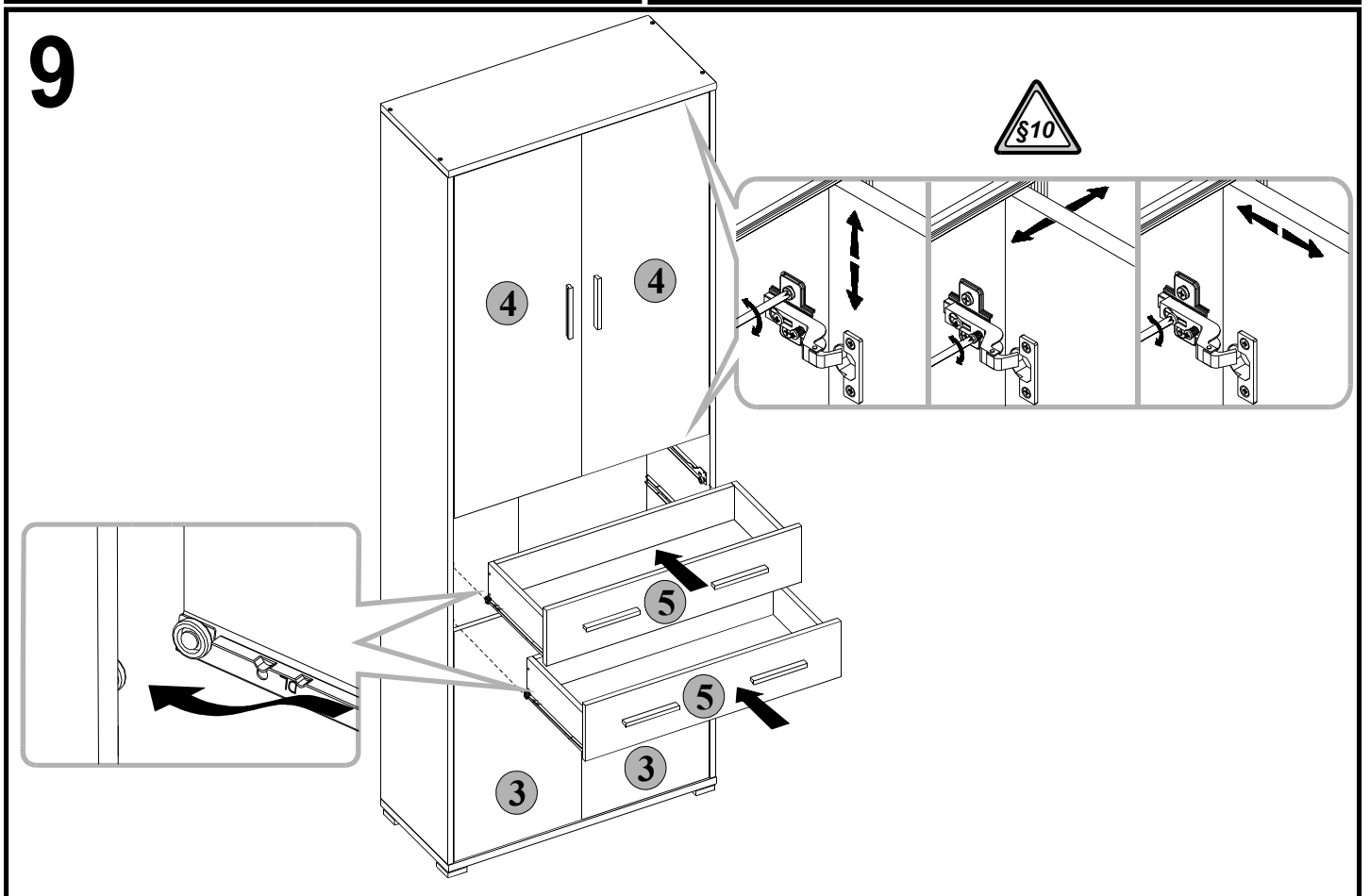
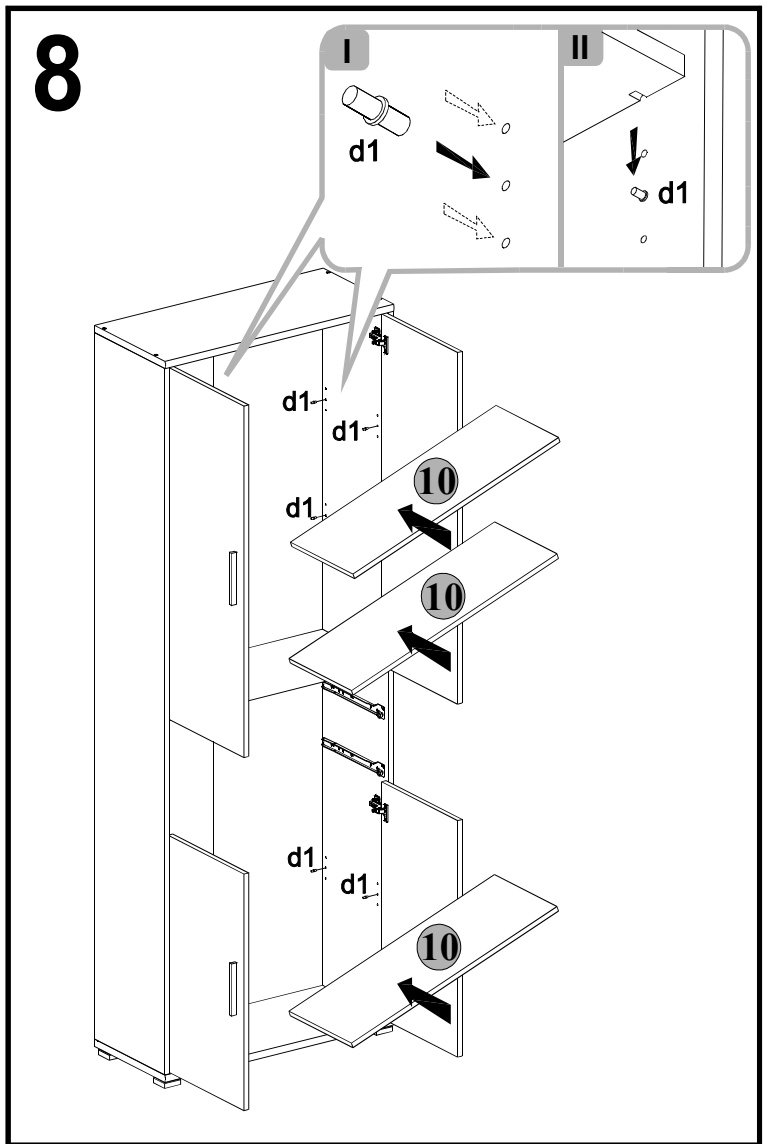
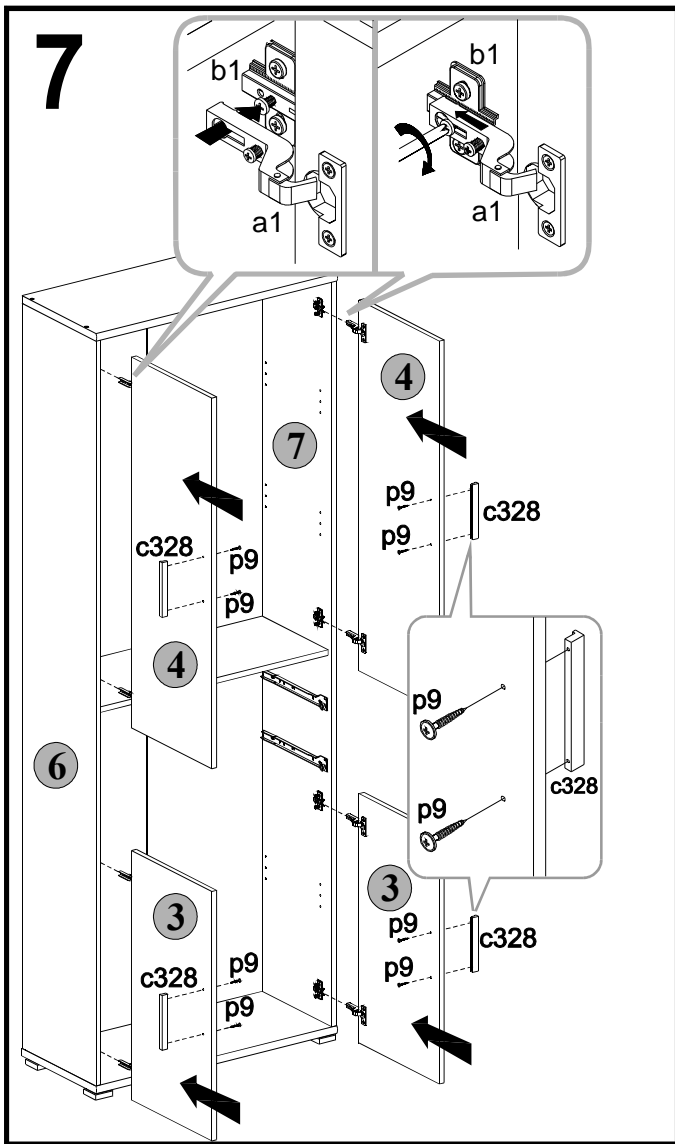
8x  a1	8x  b1	8x  c328	8x  e1 φ7x50 mm	12x  d1 φ5	16x  f1 φ8x30 mm	8x  i2	
8x  f25 φ6,5x40 mm	8x  e3 φ6x13 mm	8x  e19 φ5x9 mm	16x  p9 φ4x30 mm	8x  p21 φ4x30 mm	4x  k52 56x56/20 mm	4x  r1 φ15x12mm #16	4x  r42
2x  w37CL 300 mm	2x  w37CR 300 mm	2x  w37DL 300 mm	2x  w37DR 300 mm	5x  l1	1x  y1	1x  z1	

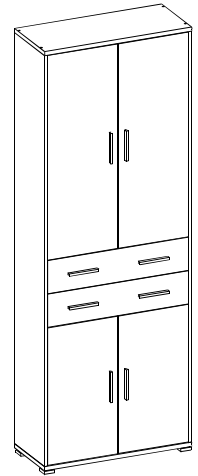
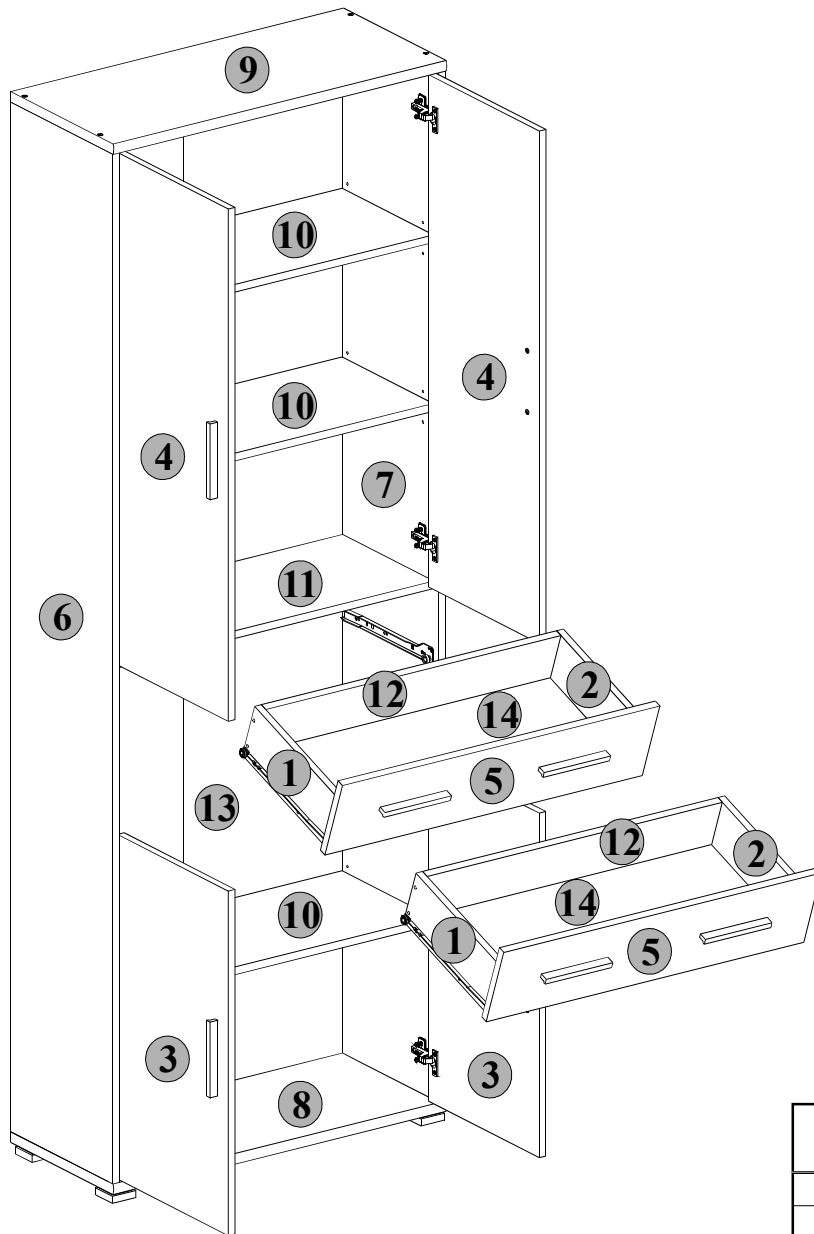
# 1



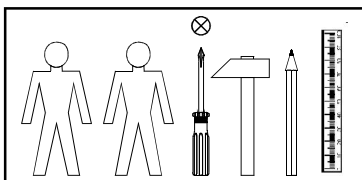








A	B	C	D
1	MZ1-556	300x120	2/2
2	MZ1-557	300x120	2/2
3	S171-001	719x376	1/2
4	S171-002	1069x376	1/2
5	S171-003A	754x173	2/2
6	S171-101A	2148x346	1/2
7	S171-102A	2148x346	1/2
8	S171-202	791x350	2/2
9	S171-203	791x350	2/2
10	S171-302A	757x309	2/2
11	S171-304	758x309	2/2
12	S171-505	701x120	1/2
13	S171-901	2162x771	1/2
14	S171-902	711x294	2/2



8x K16 a1	8x b1	8x c328	8x φ7x50 mm e1	12x φ5 d1	16x φ8x30 mm f1	8x i2	
8x φ6.5x40 mm f25	8x φ6x13 mm e3	8x φ5x9 mm e19	16x φ4x30 mm p9	8x φ4x30 mm p21	4x 56x56x20 mm k52	4x φ15x12mm #16 r1	4x r42
2x 300 mm w37 <sup>CL</sup>	2x 300 mm w37 <sup>CR</sup>	2x 300 mm w37 <sup>DL</sup>	2x 300 mm w37 <sup>DR</sup>	5x l1	1x GLUE y1	1x z1	

1

