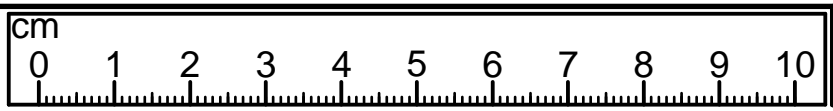
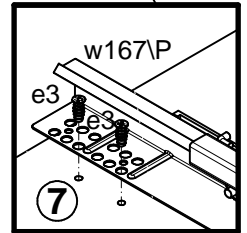
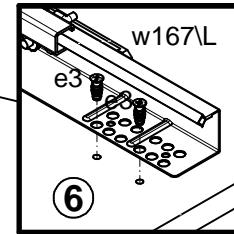
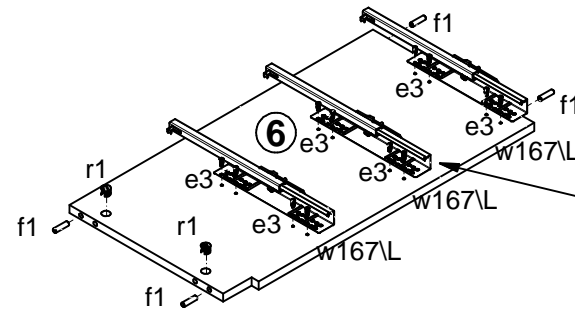
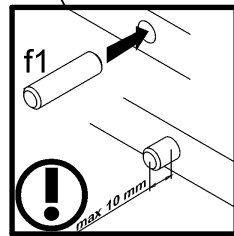
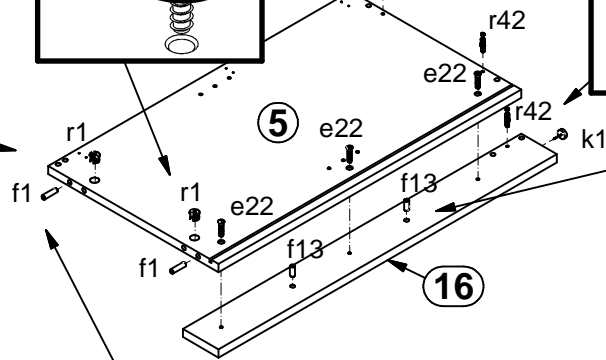
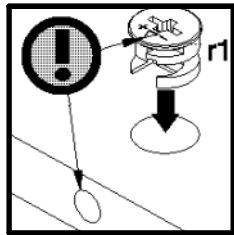
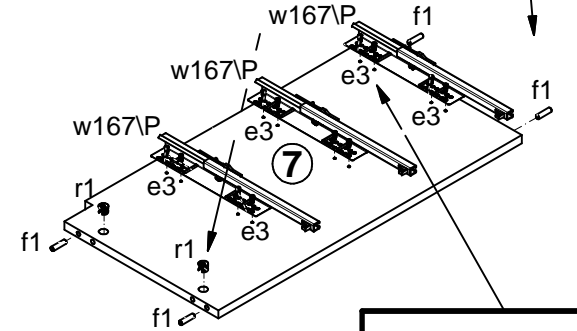
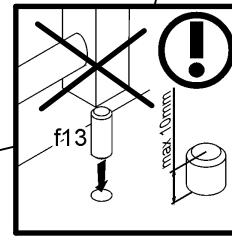
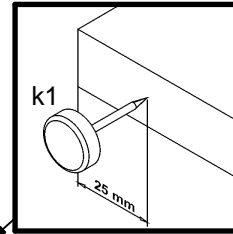
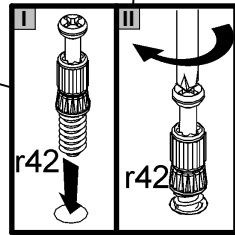
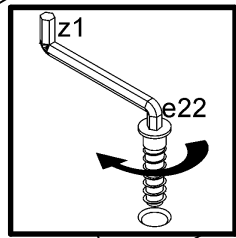
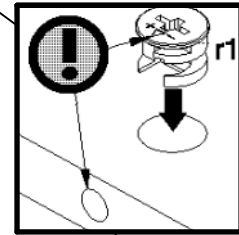
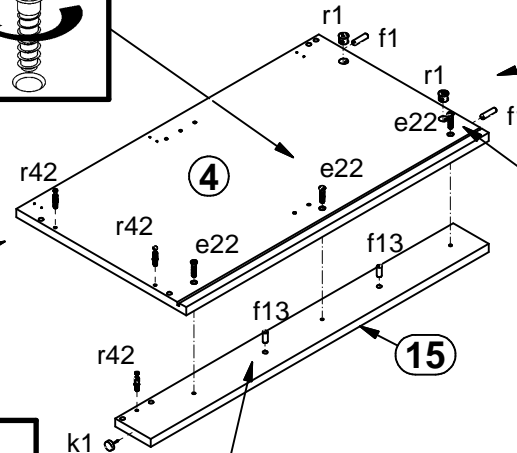
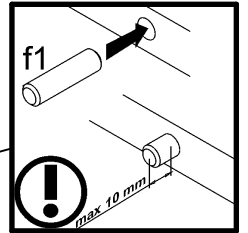
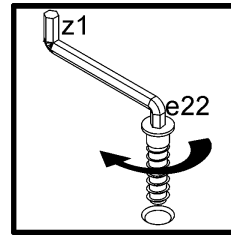
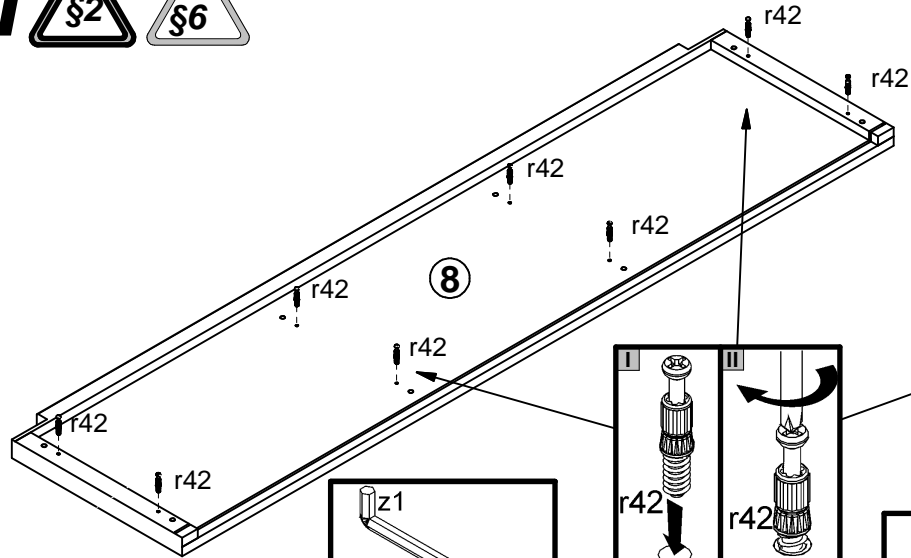


A	B	C (mm)	D
1	S378-0009	649	476
2	S378-0010	649	476
3	S378-0011	476	215
4	S378-1009	679	382
5	S378-1010	679	382
6	S378-1011	681	362
7	S378-1012	681	362
8	S378-2004	1597	405
9	S378-3012	1532	382
10	S378-3013	518	350
11	S378-4004	1532	44
12	S378-5005	80	60
13	S378-5010	796	80
14	S378-5011	796	80
15	S378-5012	759	80
16	S378-5013	759	80
17	S378-9002	433	355
18	S378-9305	691	477
19	S378-9306	691	532
20	S378-9308	691	532
21	ZQ2-1533	422	107
22	ZQ4-501	327	107
23	ZQ4-502	327	107

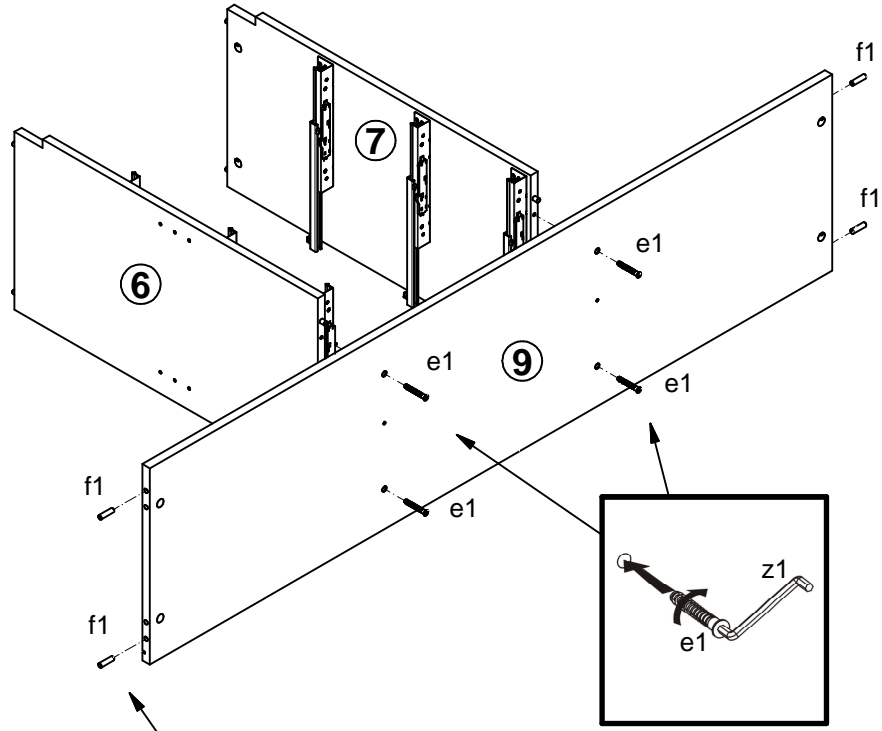


4x a132	2x a133	4x b43	5x c468 96 mm	8x d1 Ø5x17 mm	6x d37	4x e1 Ø7x50 mm	10x e2 Ø6.3x13 mm	6x e22 Ø7x28 mm	24x e3 Ø6x13 mm	24x f1 Ø8x30 mm	4x f13 Ø8x20 mm	12x f25 Ø6.5x40 mm	2x f35 Ø10x50 mm
6x f9 Ø6x30 mm	6x k1	2x k38/10 30x30/70 mm	2x k38/13 42.5x42.5/4 mm	16x l2	8x n108 20x13x3.5/17	2x n14/2 88x21x19/1.5	2x p17 Ø5x80 mm	51x p38 Ø3.5x16 mm	8x p51 Ø3.5x15 mm	14x p55 Ø2.9x16 mm	10x p59 Ø4x12 mm	14x r1 Ø15x12 mm #16	
12x r15 Ø12x10.5 mm #12	26x r42 20/11	3x w167L 350mm	3x w167P 350mm	6x s1	6x s2 Ø16	1x z1 4 mm							

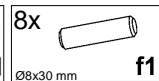
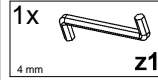
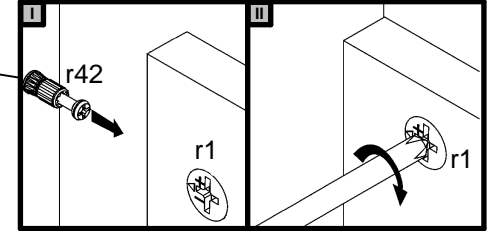
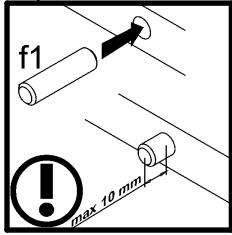
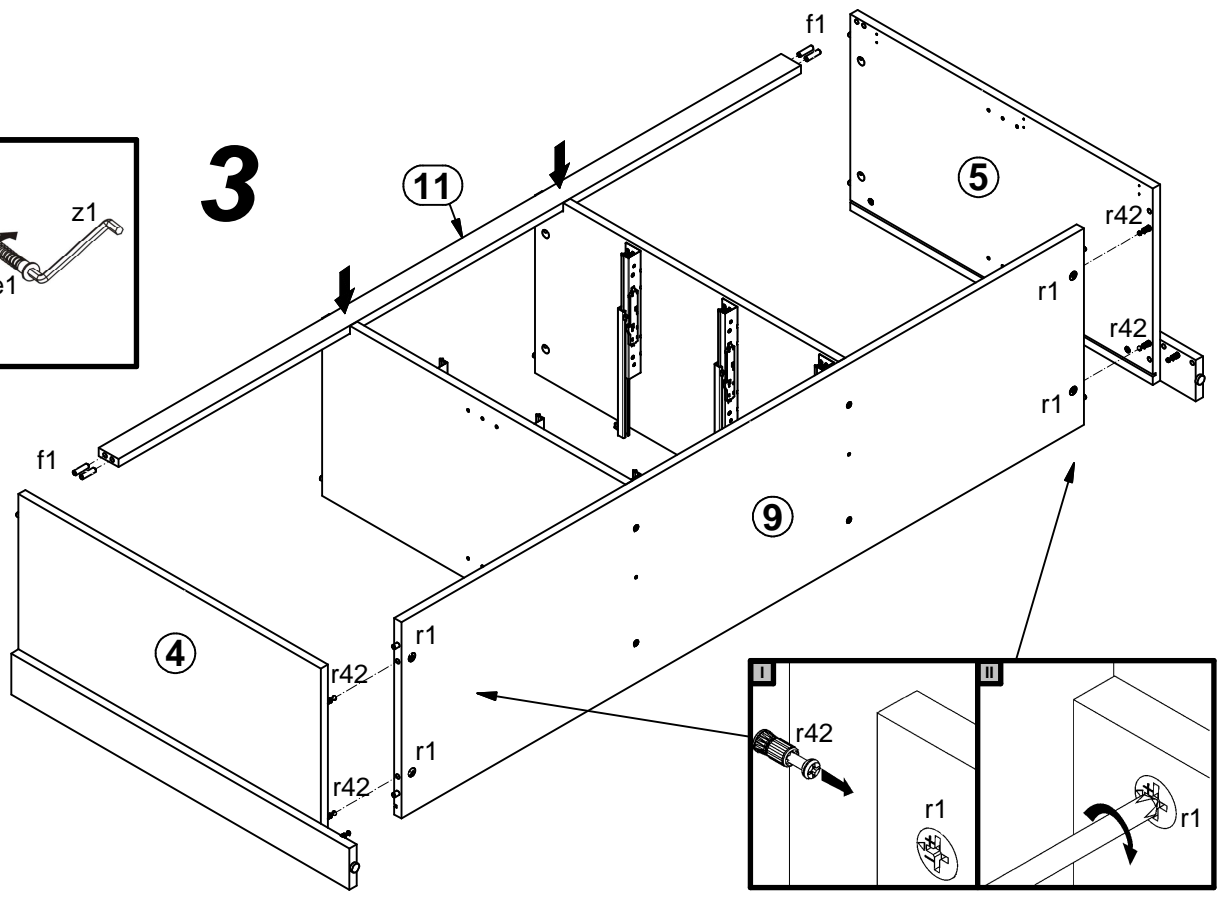


- 1x 4 mm z1
- 24x Ø6x13 mm e3
- 6x Ø7x28 mm e22
- 12x Ø8x30 mm f1
- 4x Ø8x20 mm f13
- 2x k1
- 14x 20/11 r42
- 3x 350mm w167L
- 3x 350mm w167P
- 8x Ø15x12 mm #16 r1

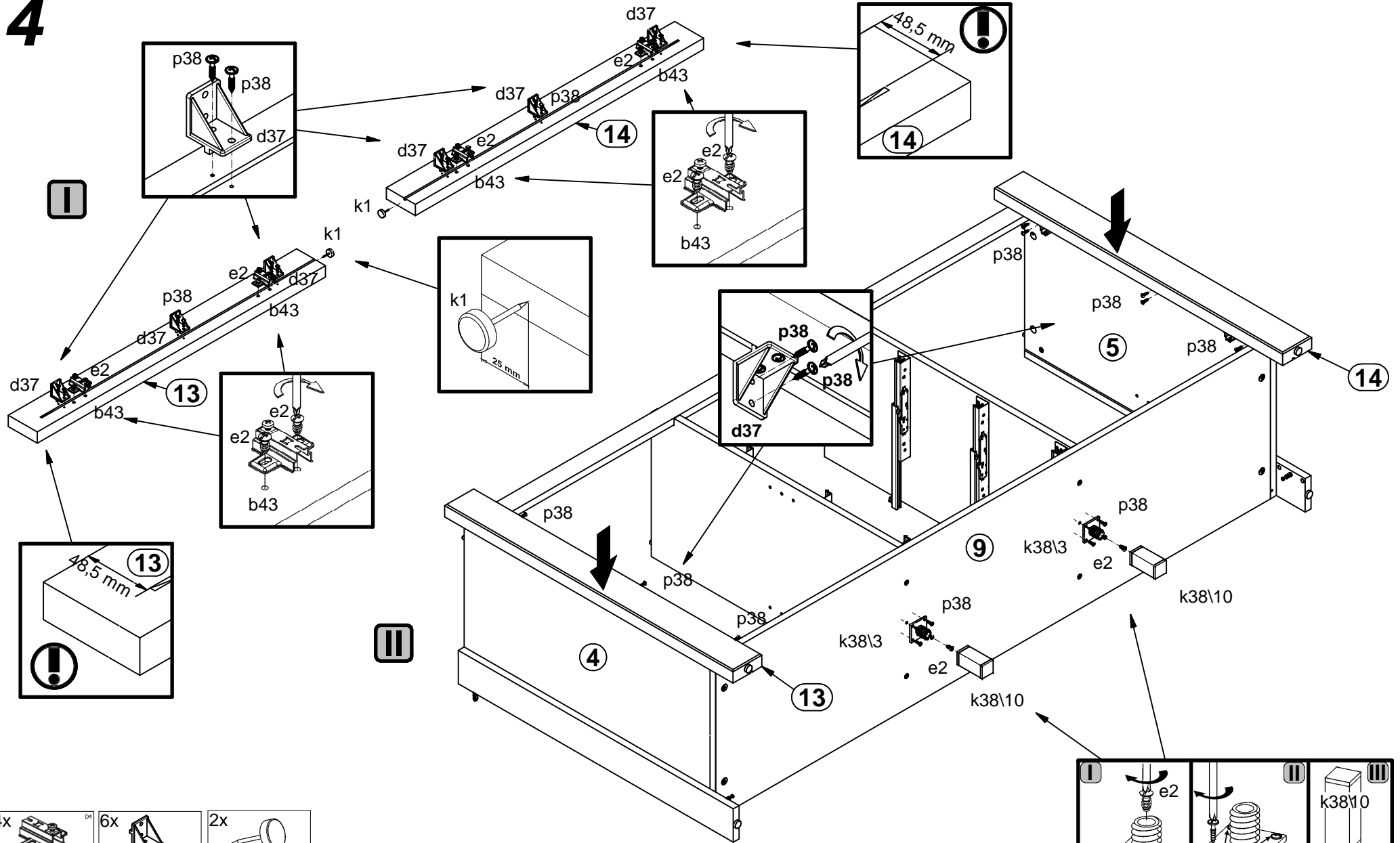
2



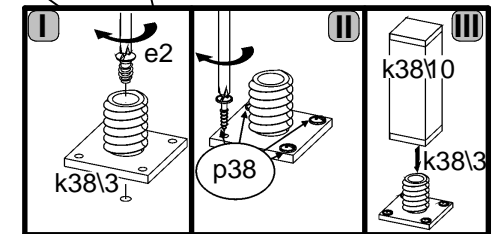
3



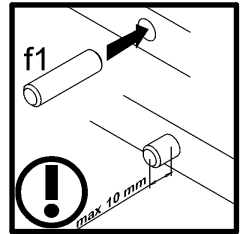
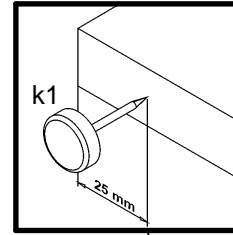
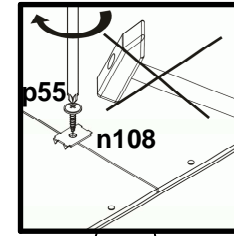
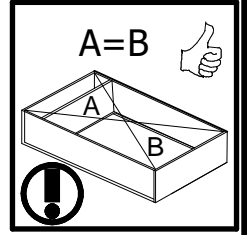
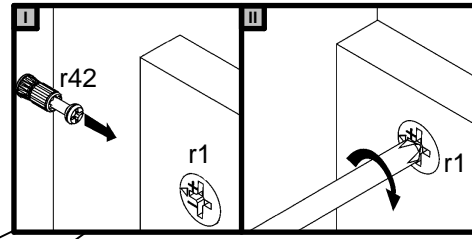
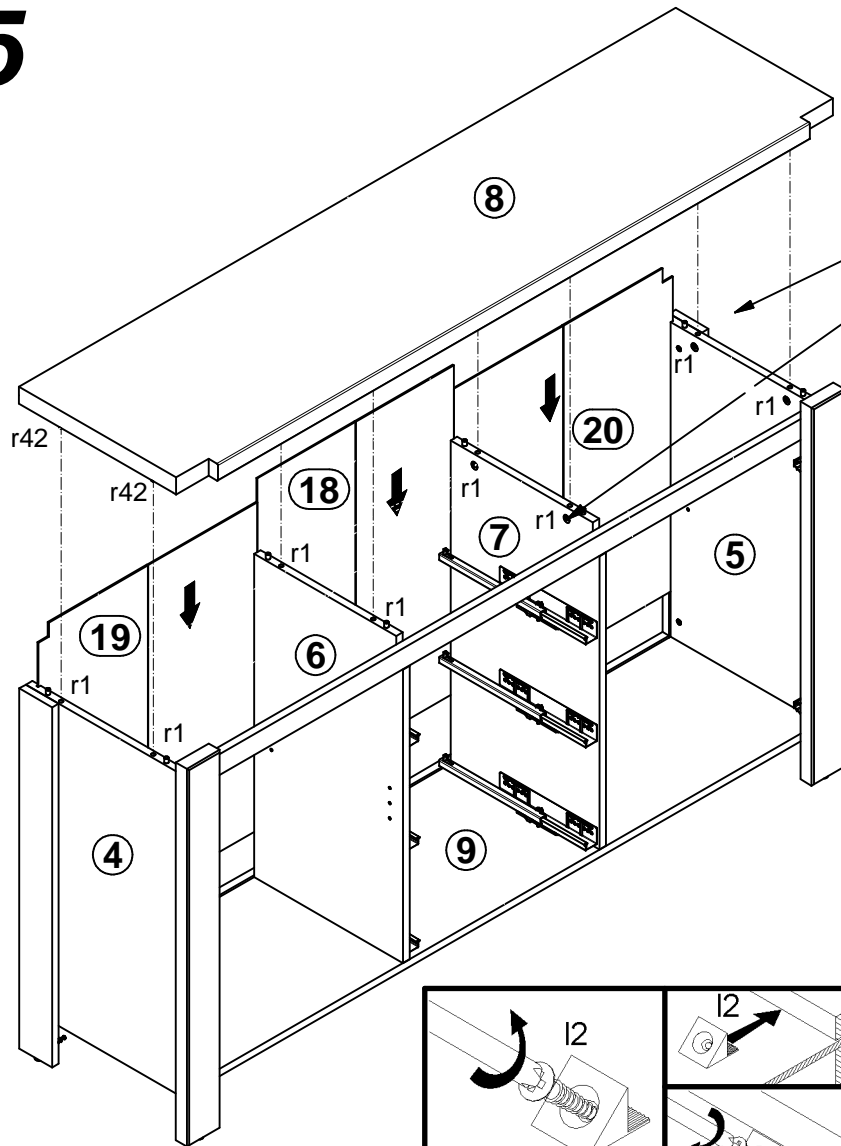
4



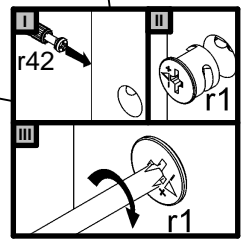
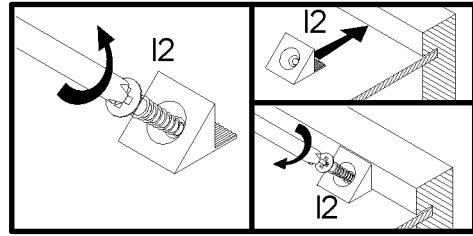
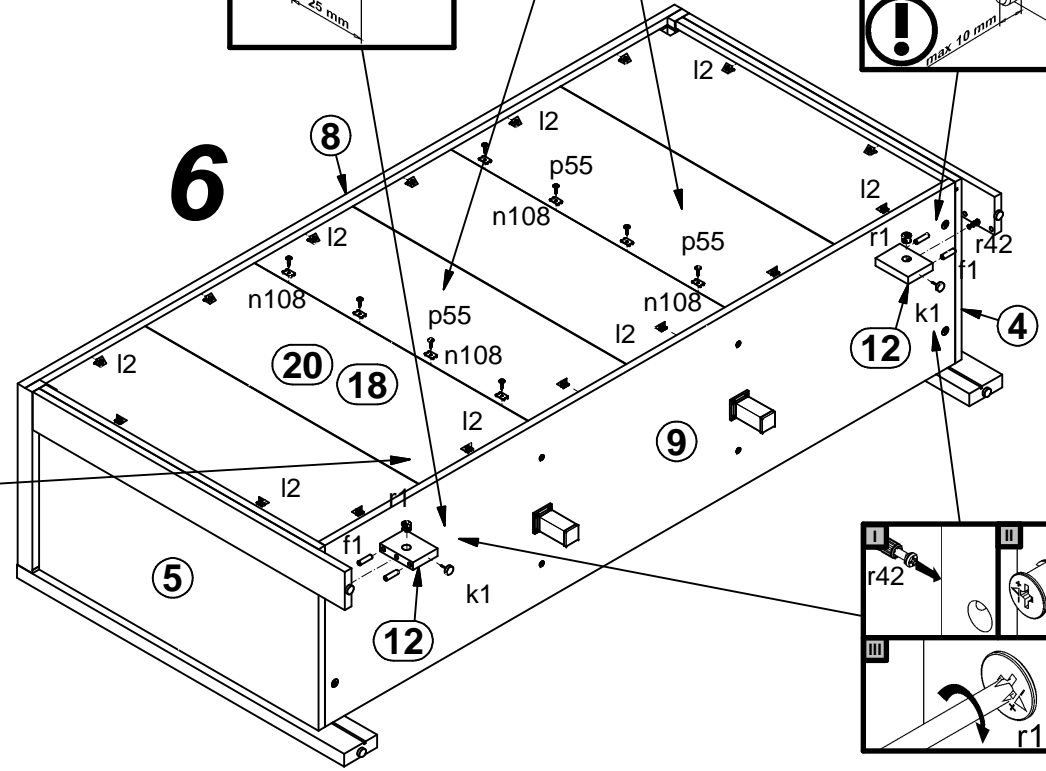
4x b43	6x d37	2x k1	
10x e2 Ø6,3x13 mm	2x k38/10 30x30/70 mm	2x k38/13 42,5x42,5/4 mm	32x p38 Ø3,5x16 mm









5

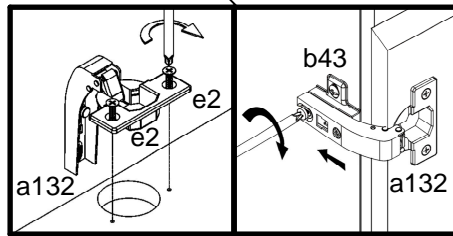
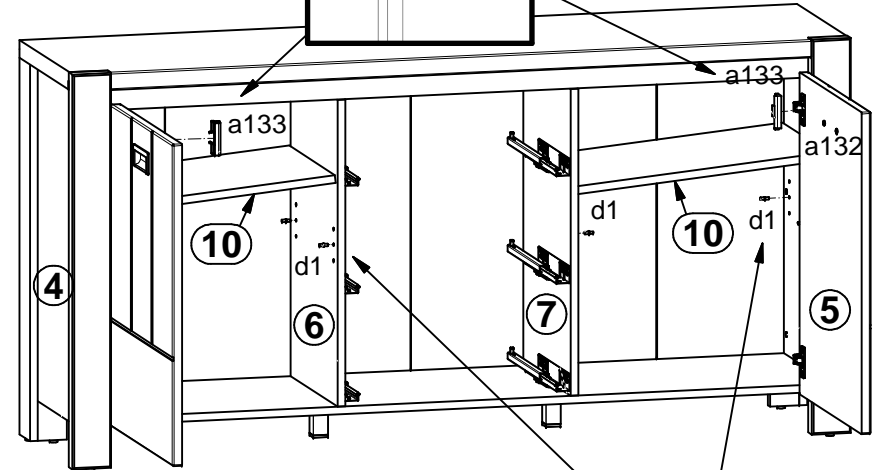
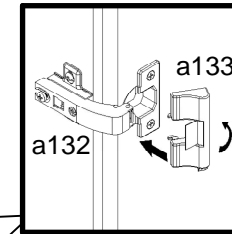
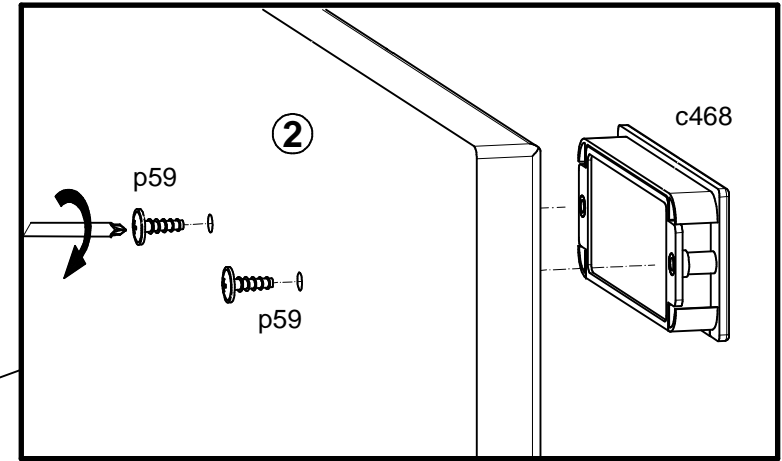
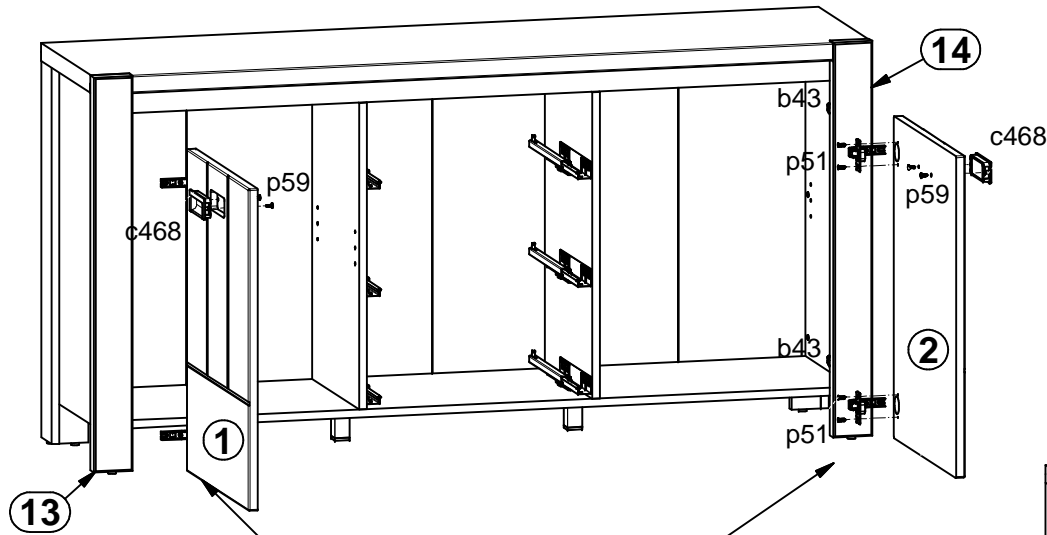


6

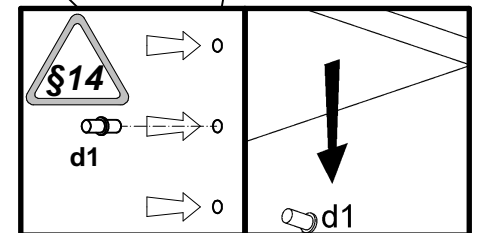








- 4x  f1
- 16x  l2
- 8x  p55
- 8x  n108
- 2x  r1
- 2x  k1

7

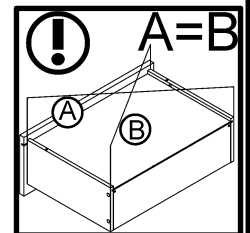
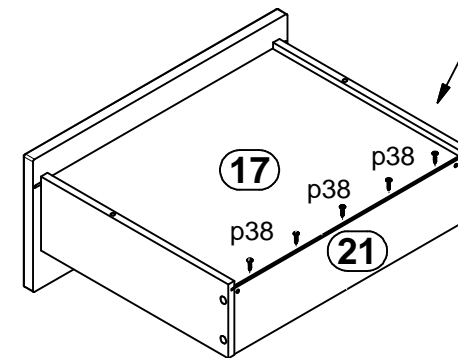
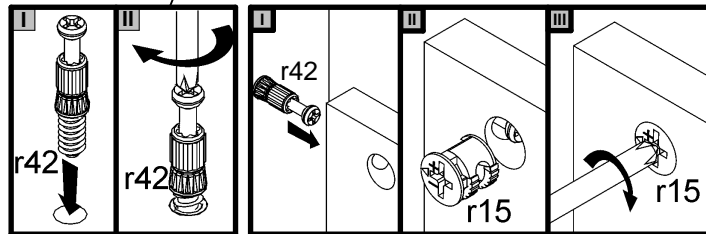
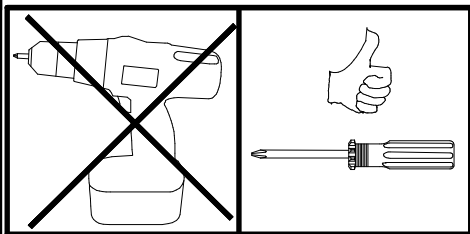
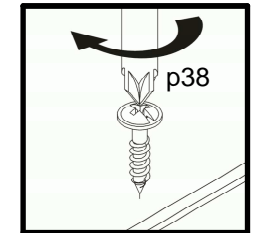
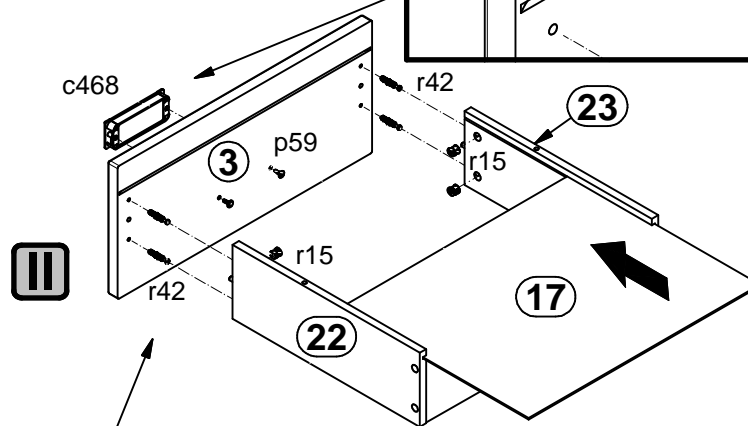
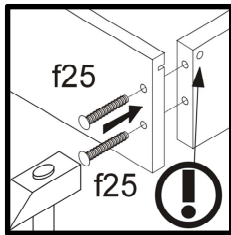
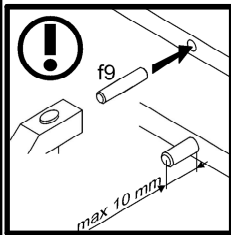
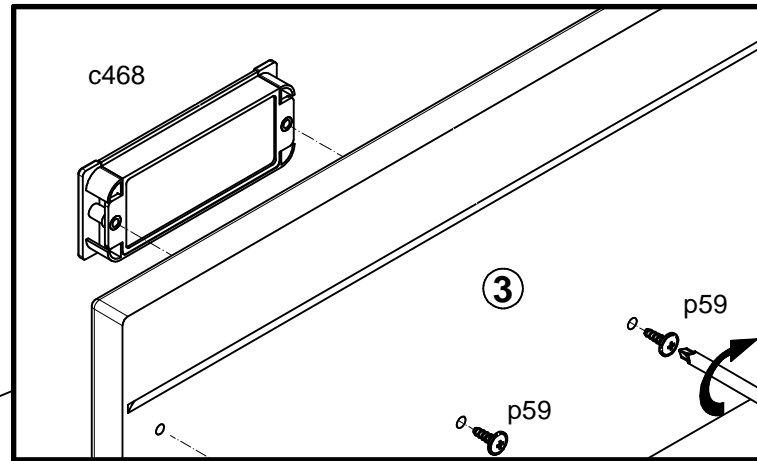
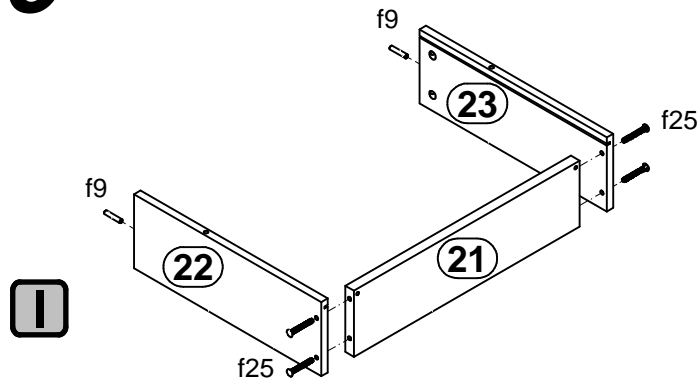



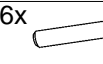
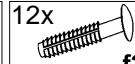
8

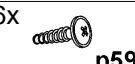
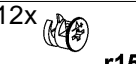
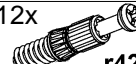


- 4x

a132
- 2x

a133
- 2x

96 mm
c468
- 8x

Ø5x17 mm
d1
- 8x

Ø3,5x15 mm
p51
- 4x

Ø4x12 mm
p59

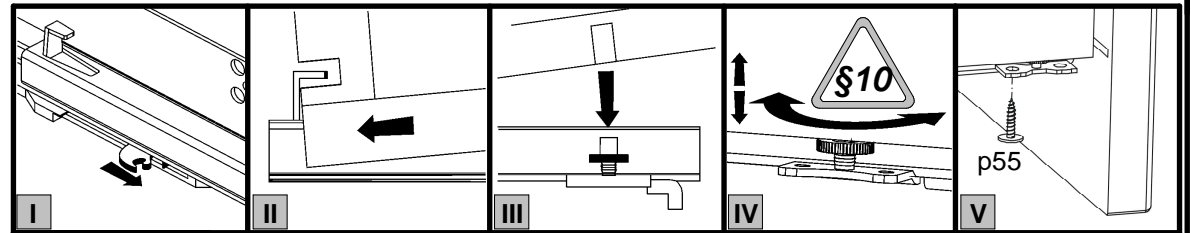
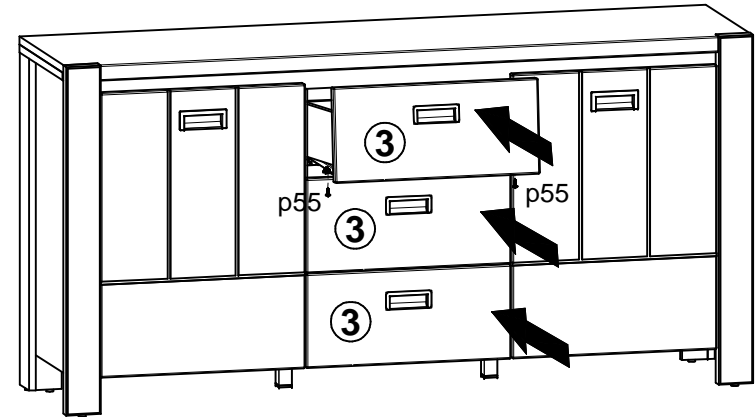
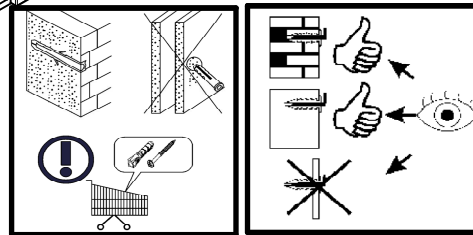
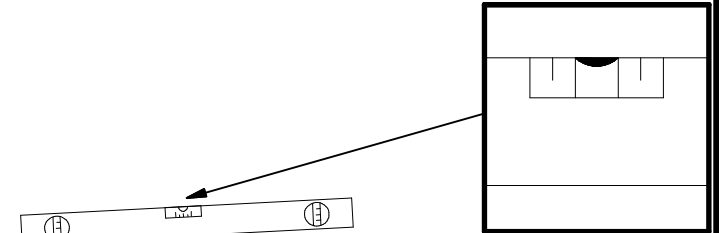
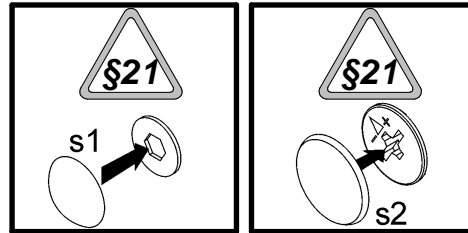
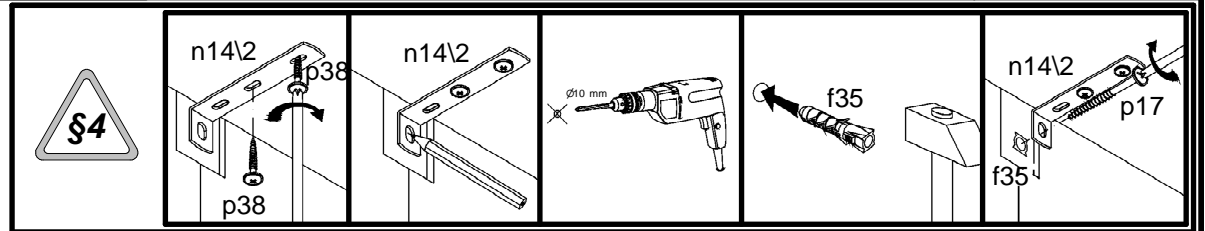
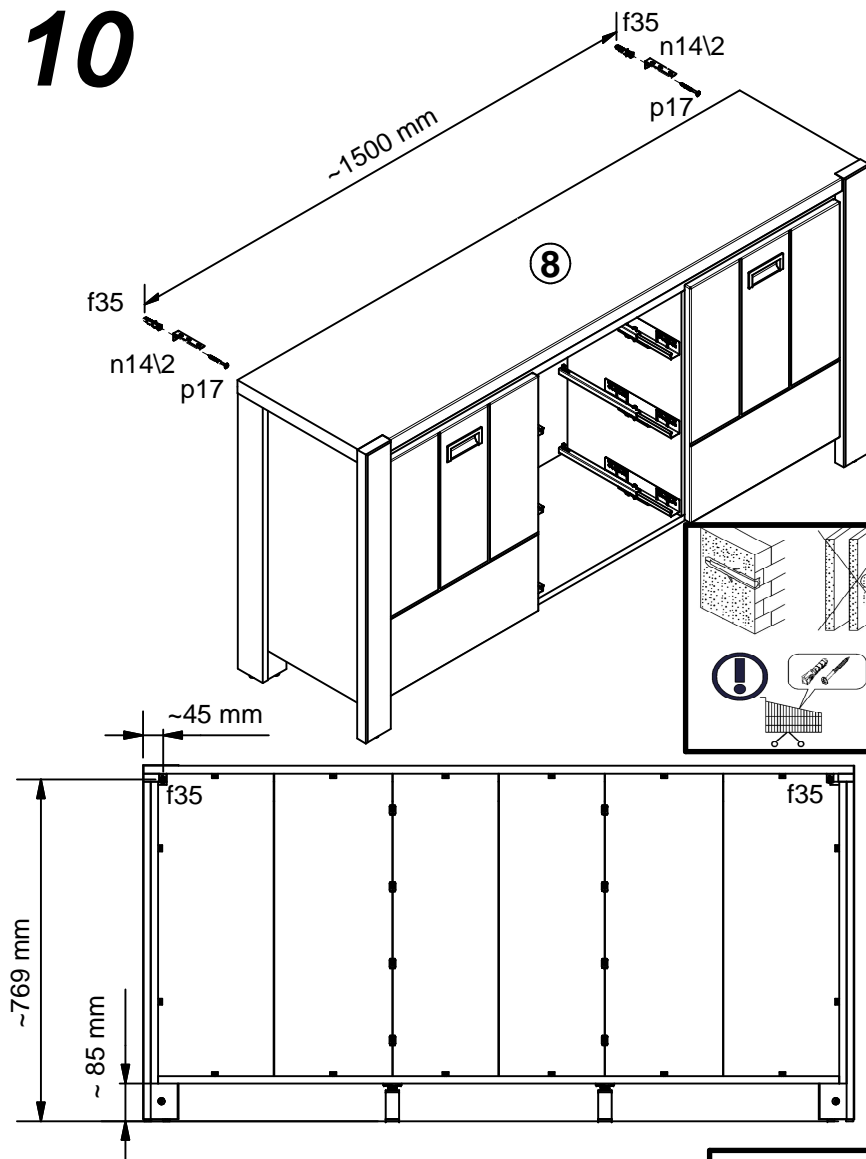
9



- 3x

c468
- 6x

f9
- 12x

f25
- 15x

p38
- 6x

p59
- 12x

r15
- 12x

r42

10



- 2x f35 Ø10x50 mm
- 2x n14/2 86x21x15/1.5
- 2x p17 Ø5x60 mm
- 4x p38 Ø3.5x16 mm
- 6x p55 Ø2.9x16 mm
- 6x s1
- 6x s2 Ø16

