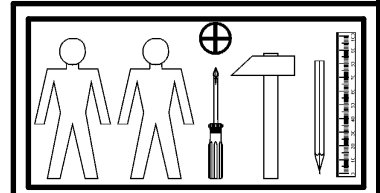
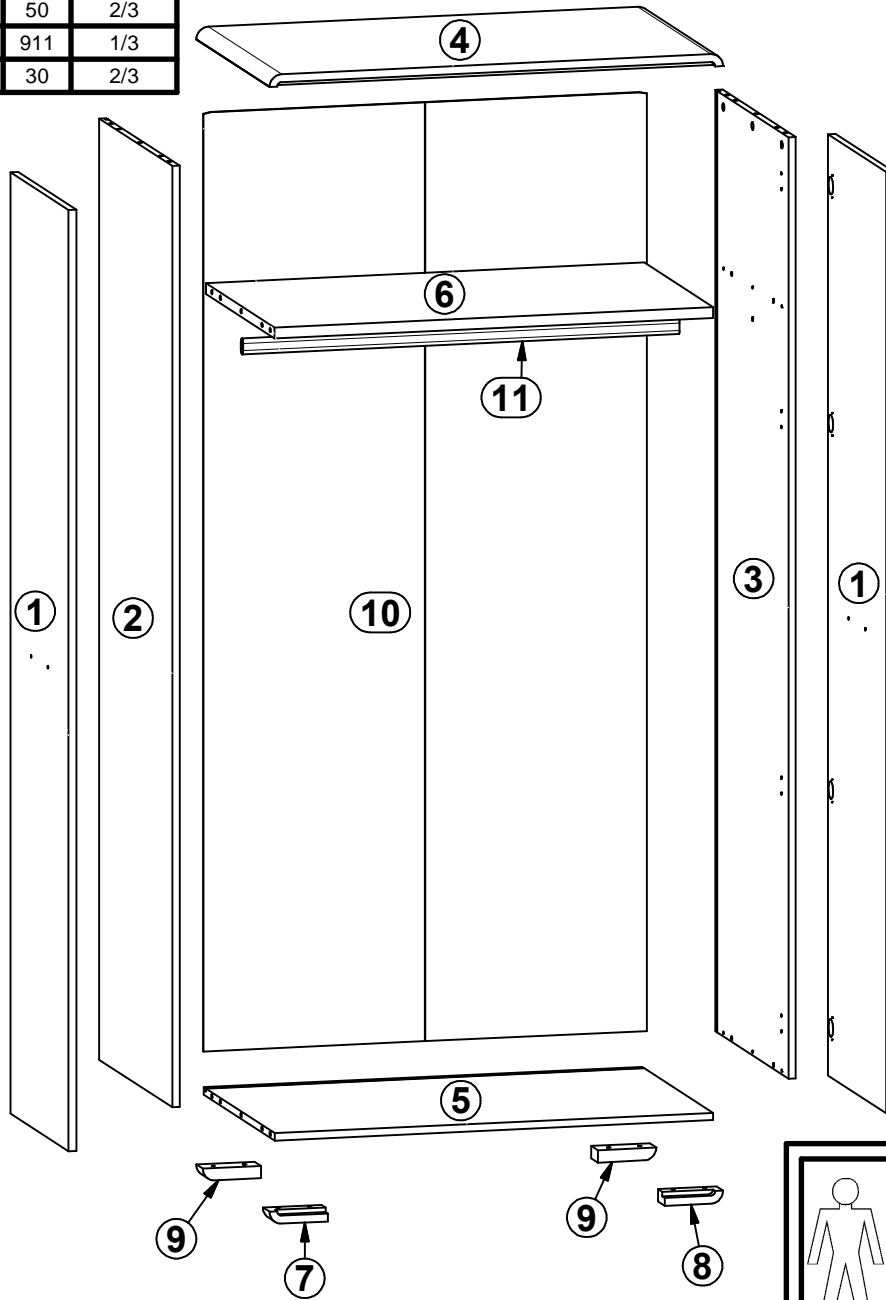
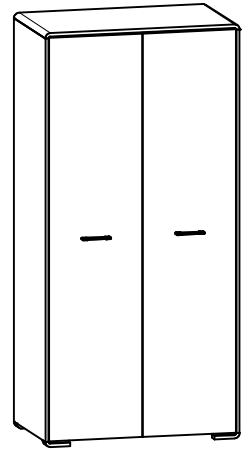
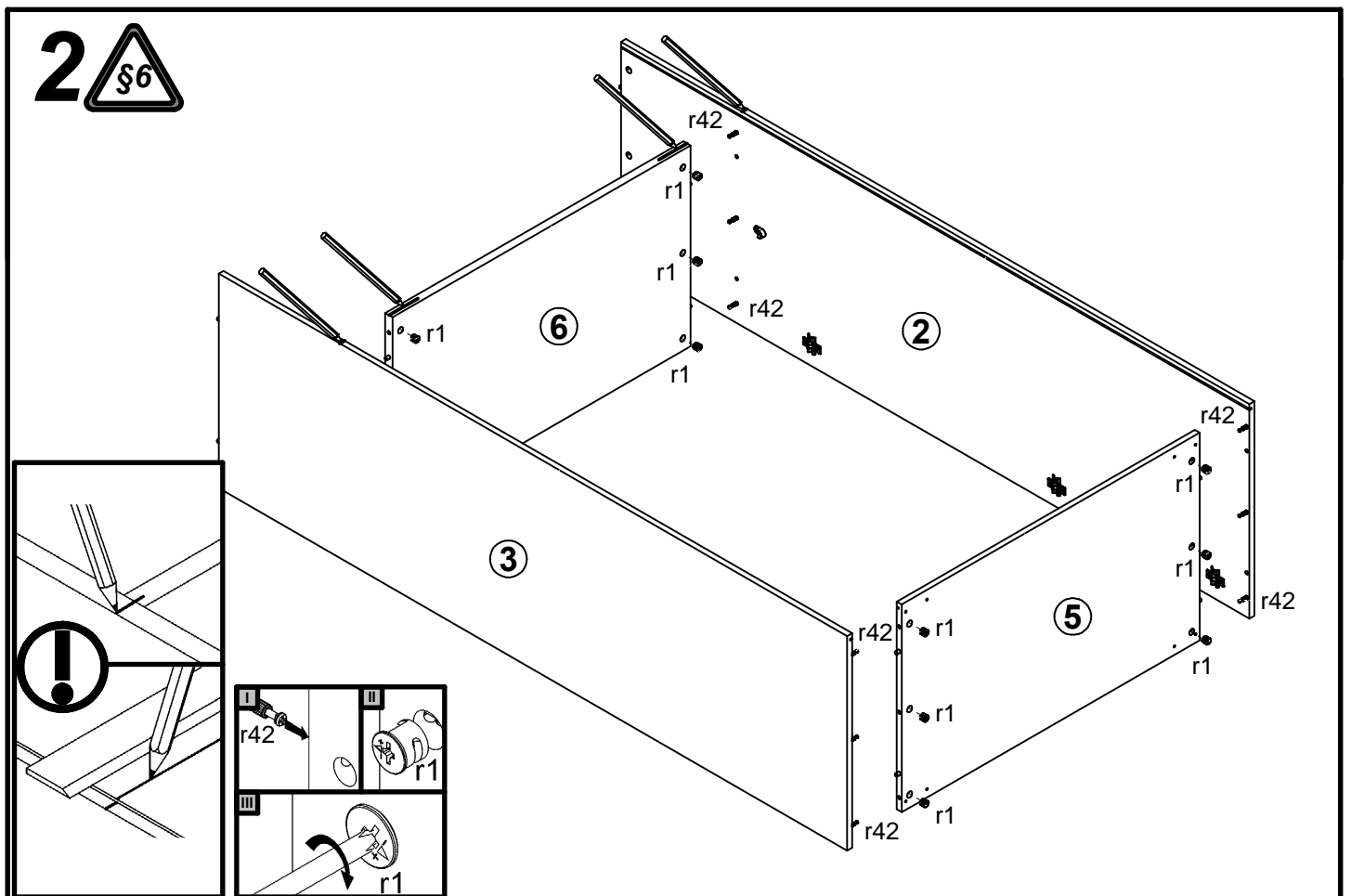
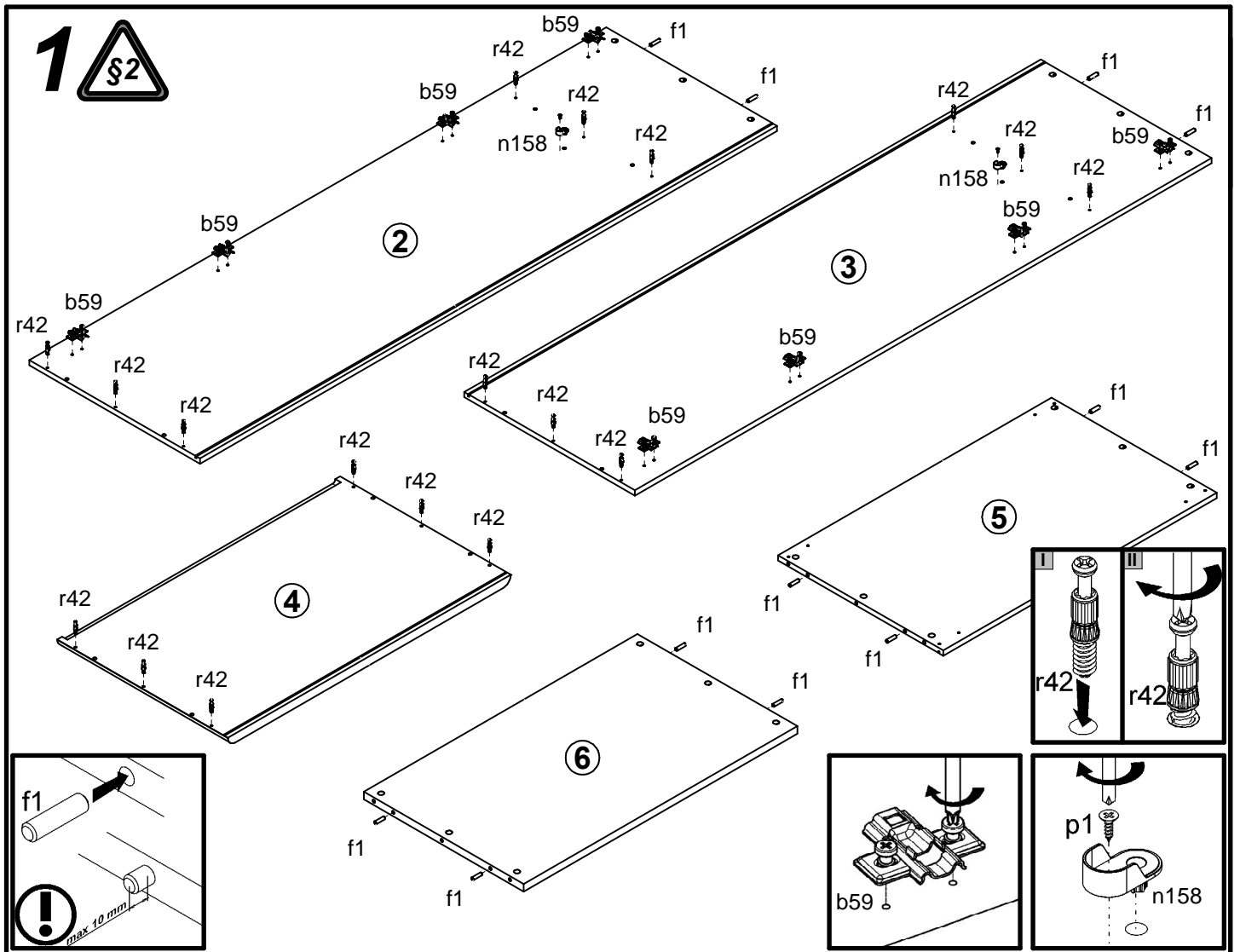


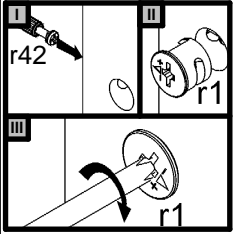
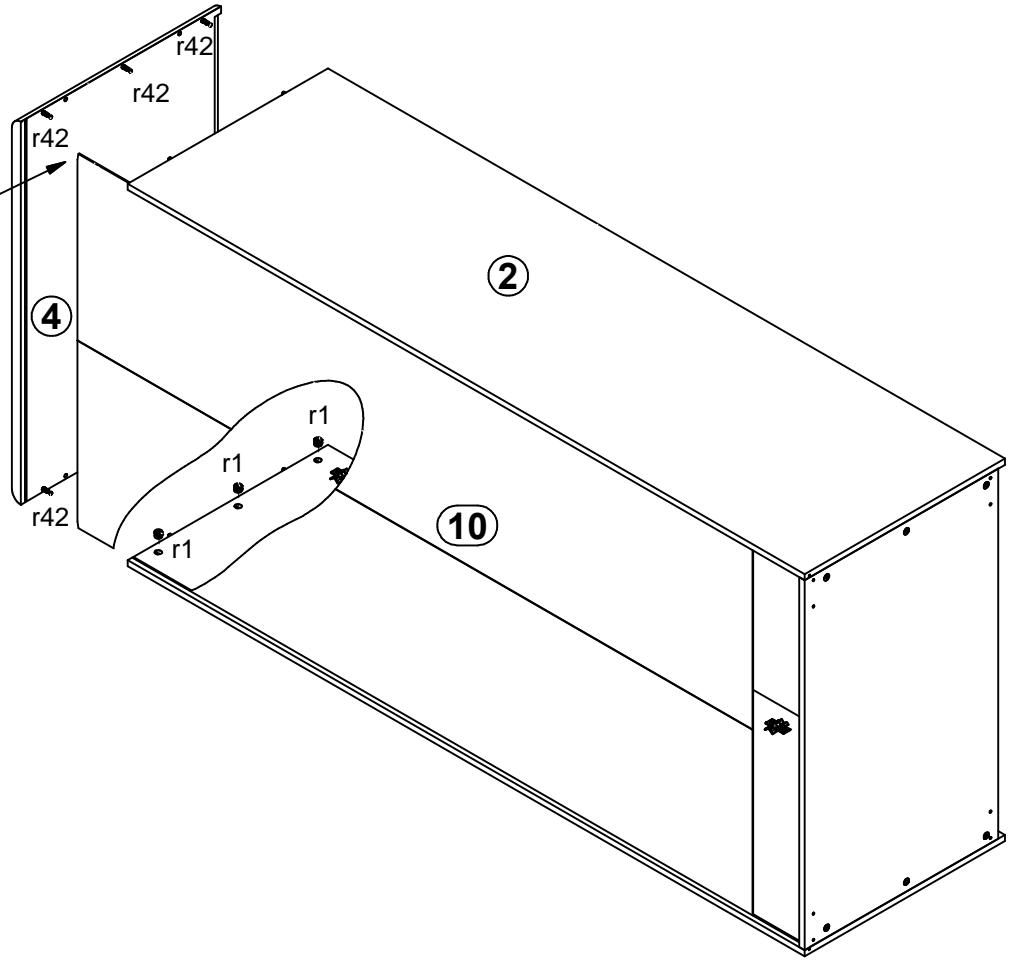
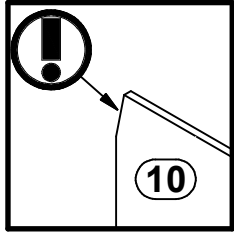
A	B	C	D
1	S332-0016	1900	446
2	S332-1021	1900	562
3	S332-1022	1900	562
4	S332-2009	932	562
5	S332-3014	901	544
6	S332-3015	901	527
7	S332-5001	120	50
8	S332-5002	120	50
9	S332-5003	120	50
10	S332-9302	1895	911
11	dr-897x30	897	30



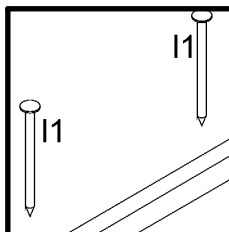
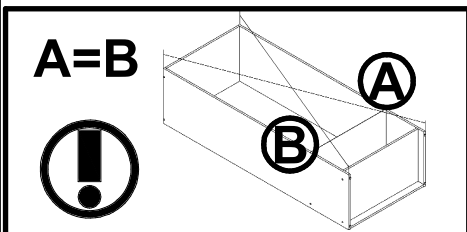
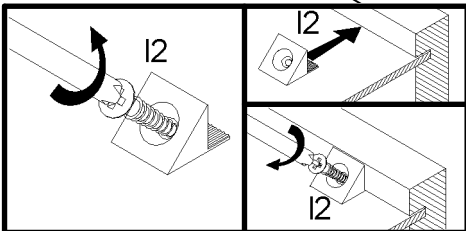
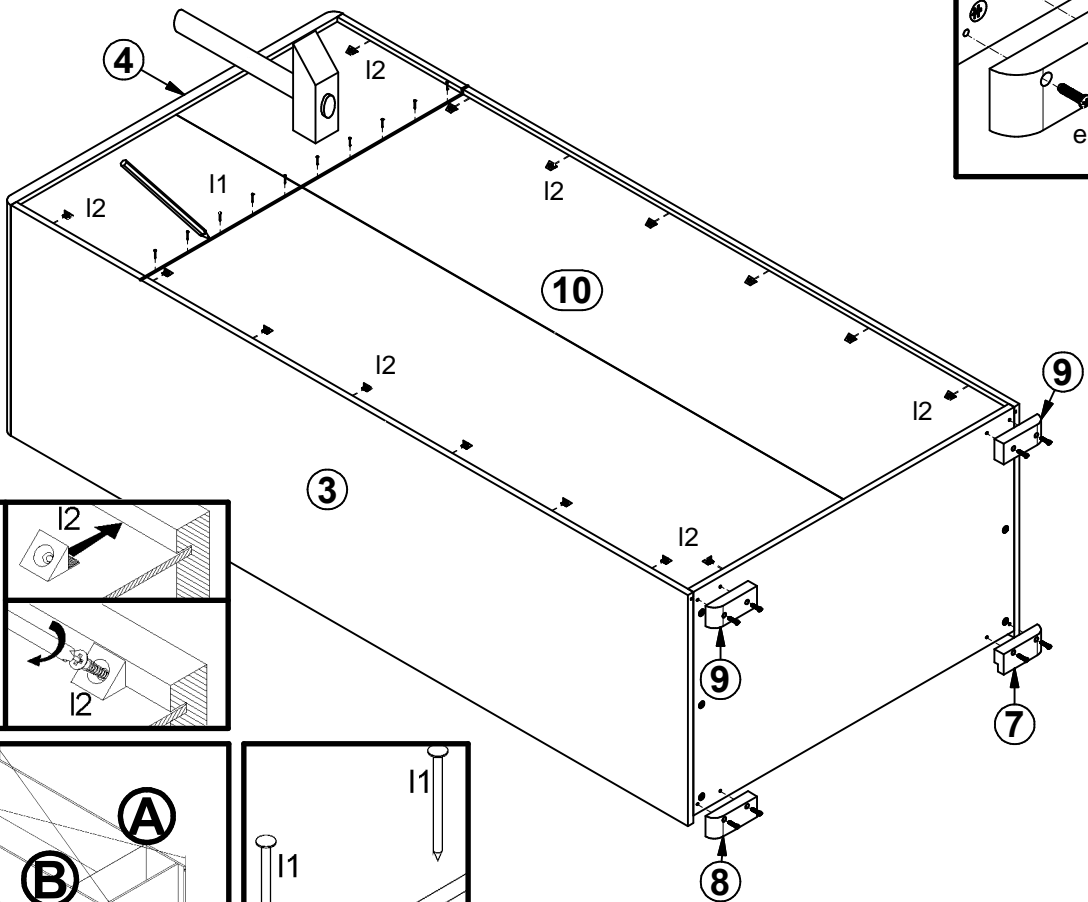
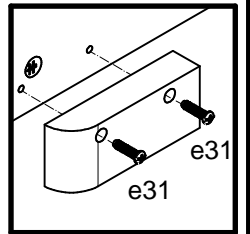
8x K16; #35  a101	8x 02  b59	2x 128 mm  c424	8x Ø6x22 mm  e31	12x Ø8x30 mm  f1	4x M4x22 mm  j30	10x  l1	18x  l2	2x h=30mm  n158
1x  n26	2x Ø3.5x13 mm  p1	16x Ø3.5x15 mm  p51	1x Ø3.5x16 mm  p38	18x Ø15x12 mm #16  r1	18x 20/11  r42	6x Ø16  s2	6x Ø15  s51	



# 3



# 4



# 5

