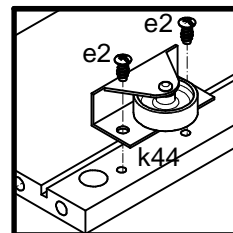
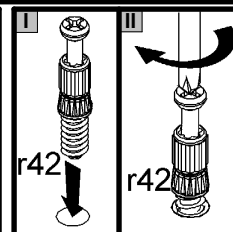
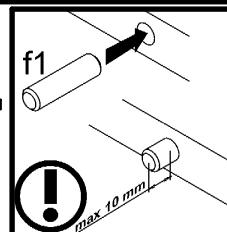
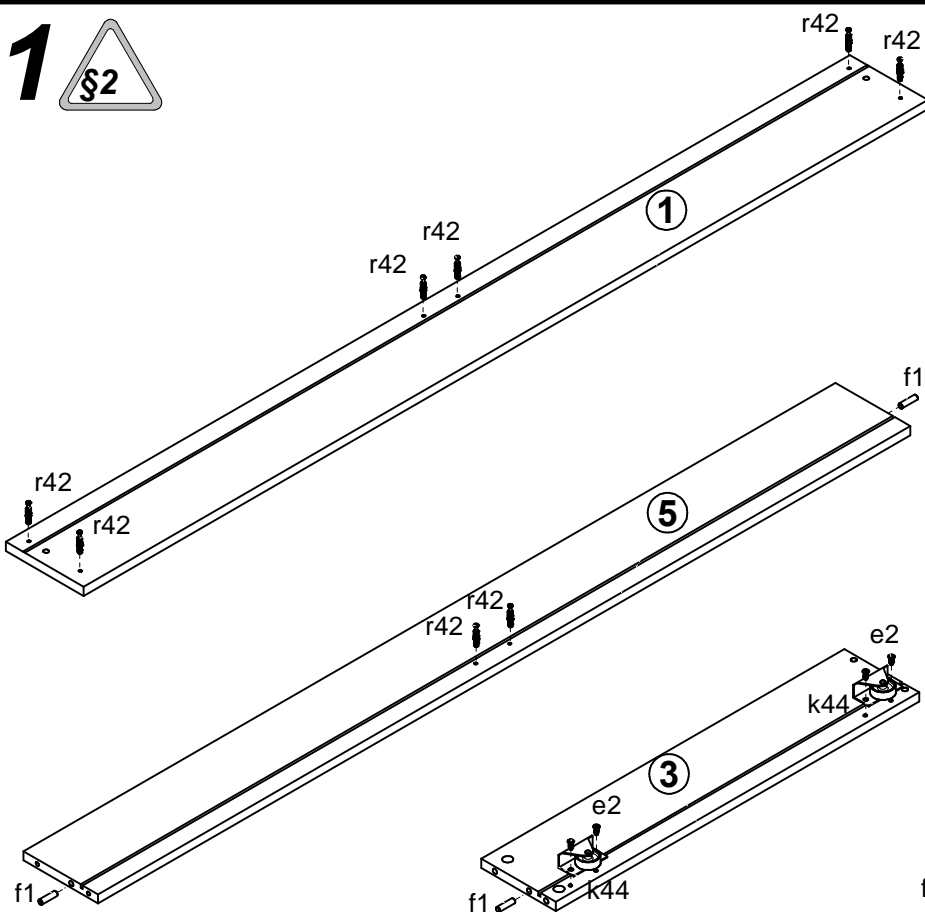
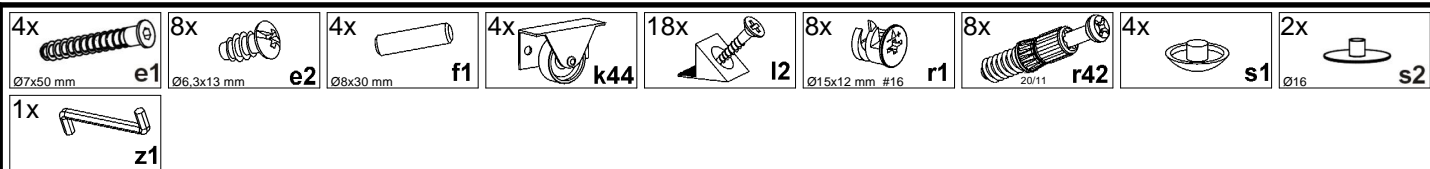
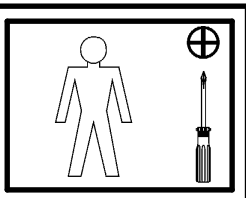
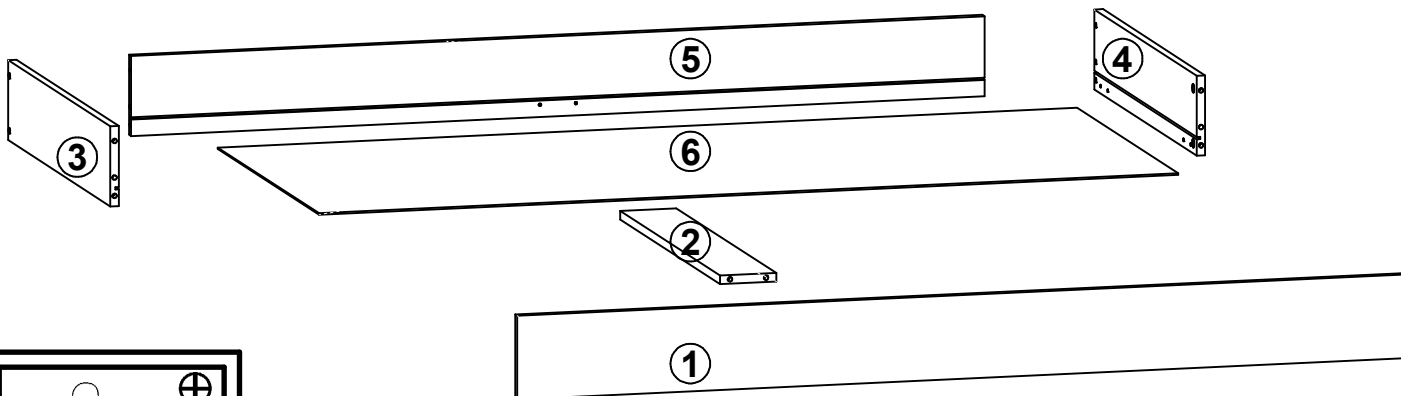
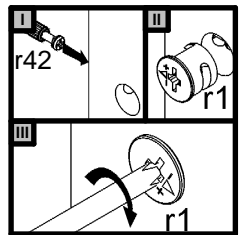
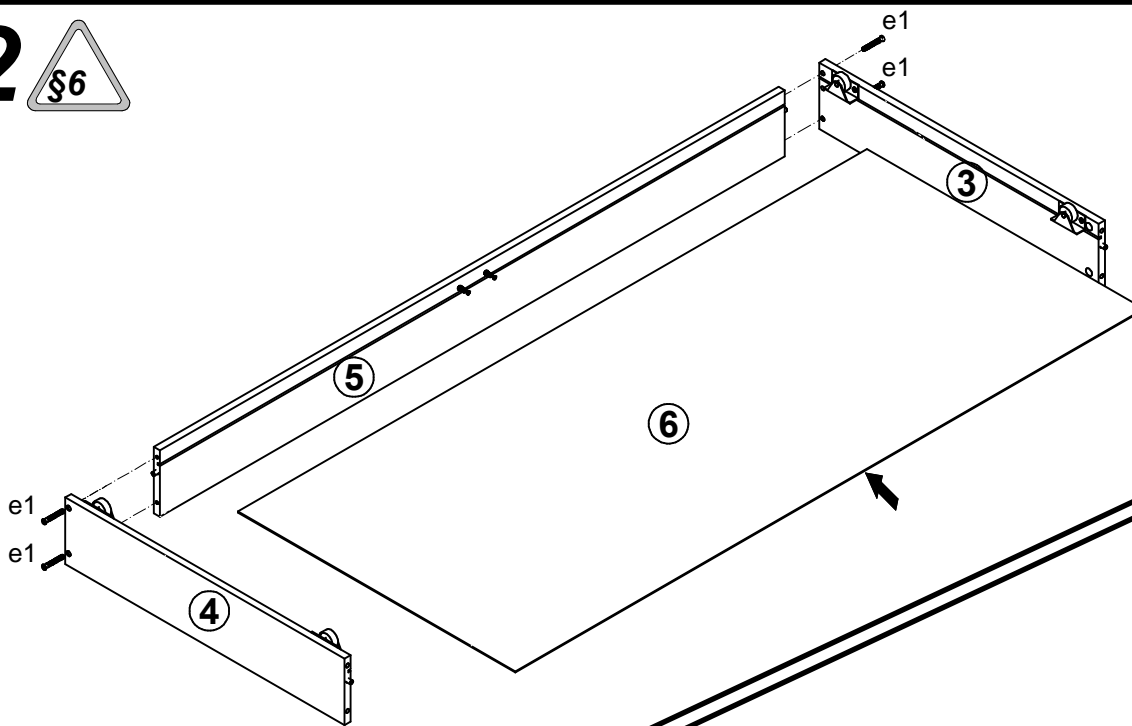
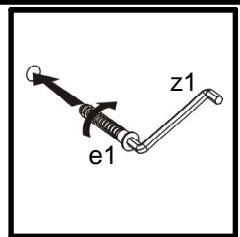


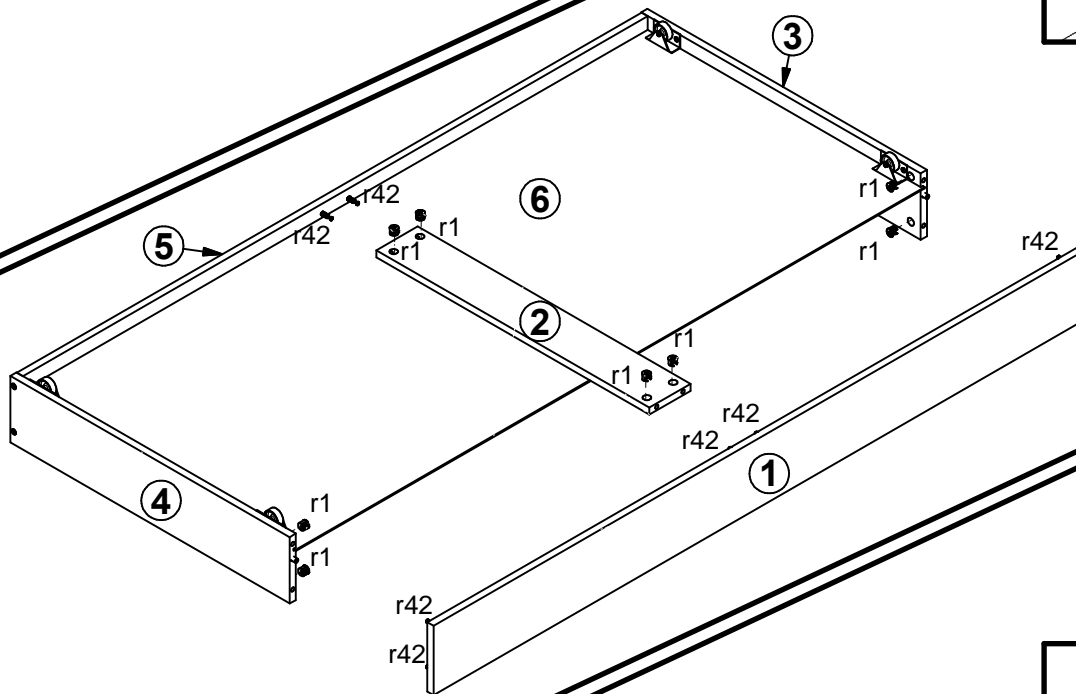
A	B	C	D	
1	S322-035	1580	146	1/2
2	S322-433	664	100	1/2
3	S322-505	680	140	1/2
4	S322-506	680	140	1/2
5	S322-507	1520	140	1/2
6	S322-944	1530	674	2/2



# 2



# 3



# 4

