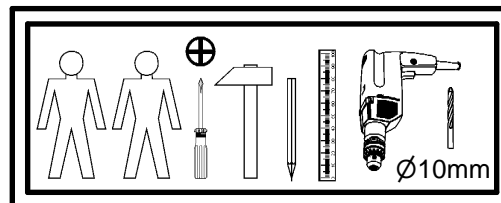
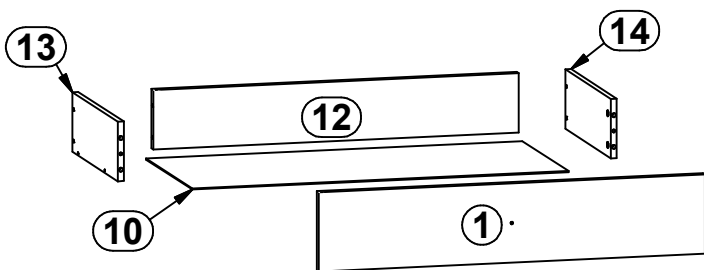
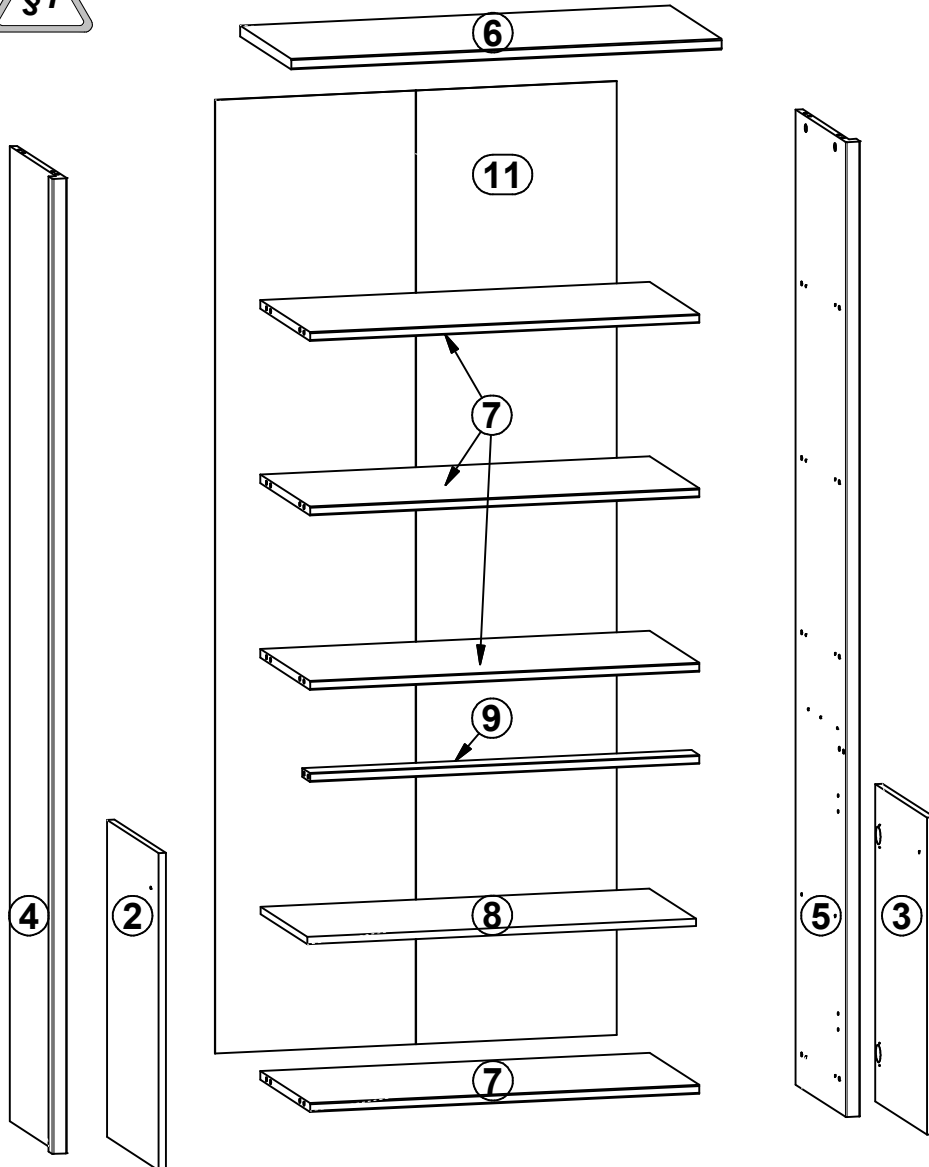
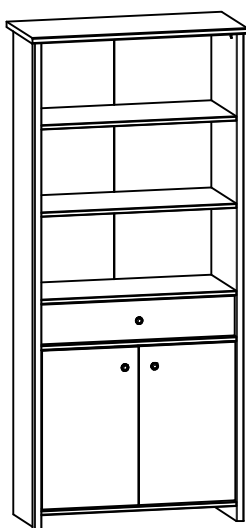
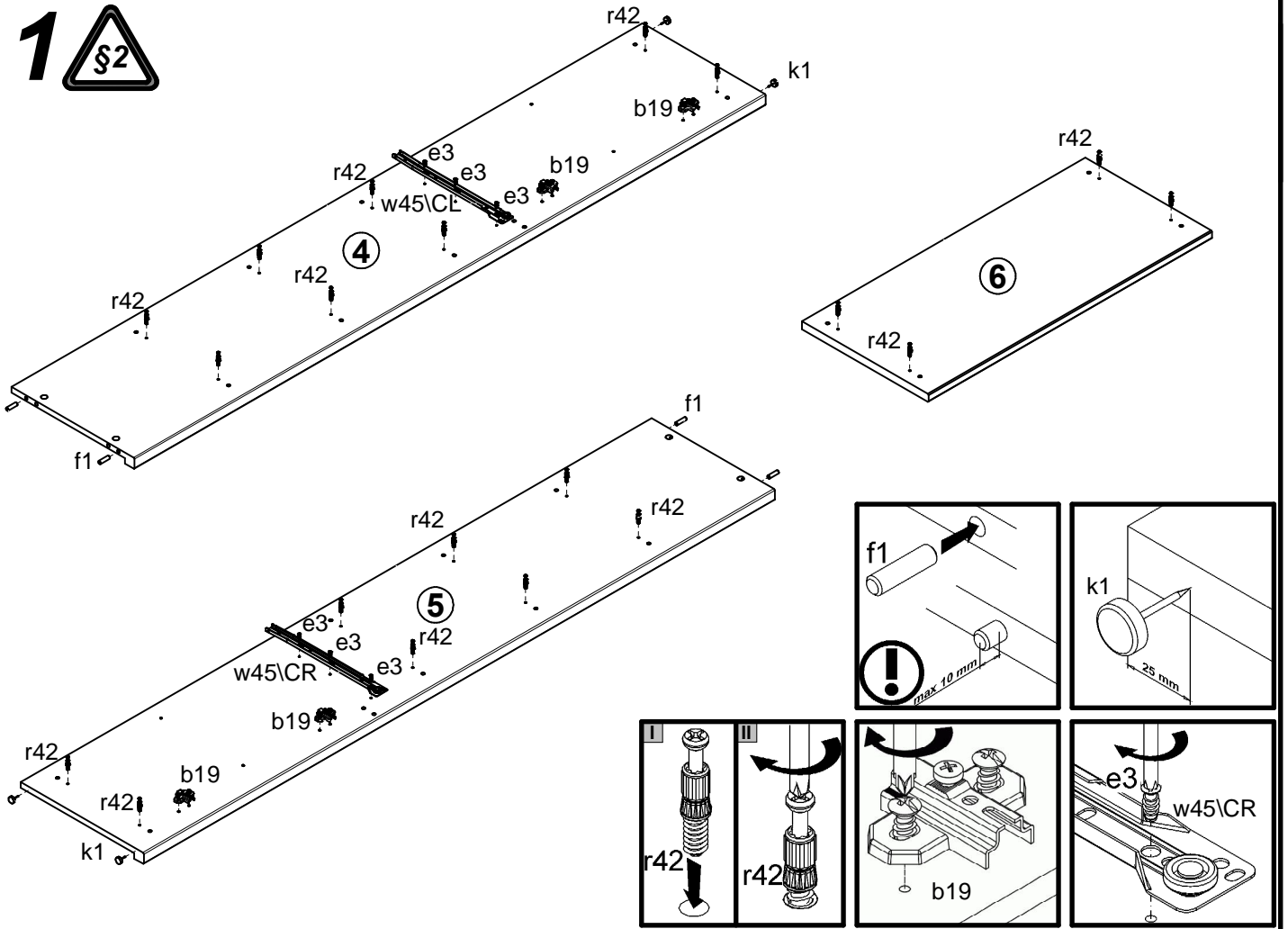


A	B	C	D	
1	S322-001	794	160	3/4
2	S322-012	640	396	4/4
3	S322-013	640	396	4/4
4	S322-138	1968	384	1/4
5	S322-139	1968	384	1/4
6	S322-201	884	395	2/4
7	S322-321	800	381	2/4
8	S322-322	799	357	2/4
9	S322-430	800	60	2/4
10	S322-902	773	355	2/4
11	S322-906	1925	825	1/4
12	ZS3-5628	751	120	2/4
13	ZS4-501	350	120	2/4
14	ZS4-502	350	120	2/4

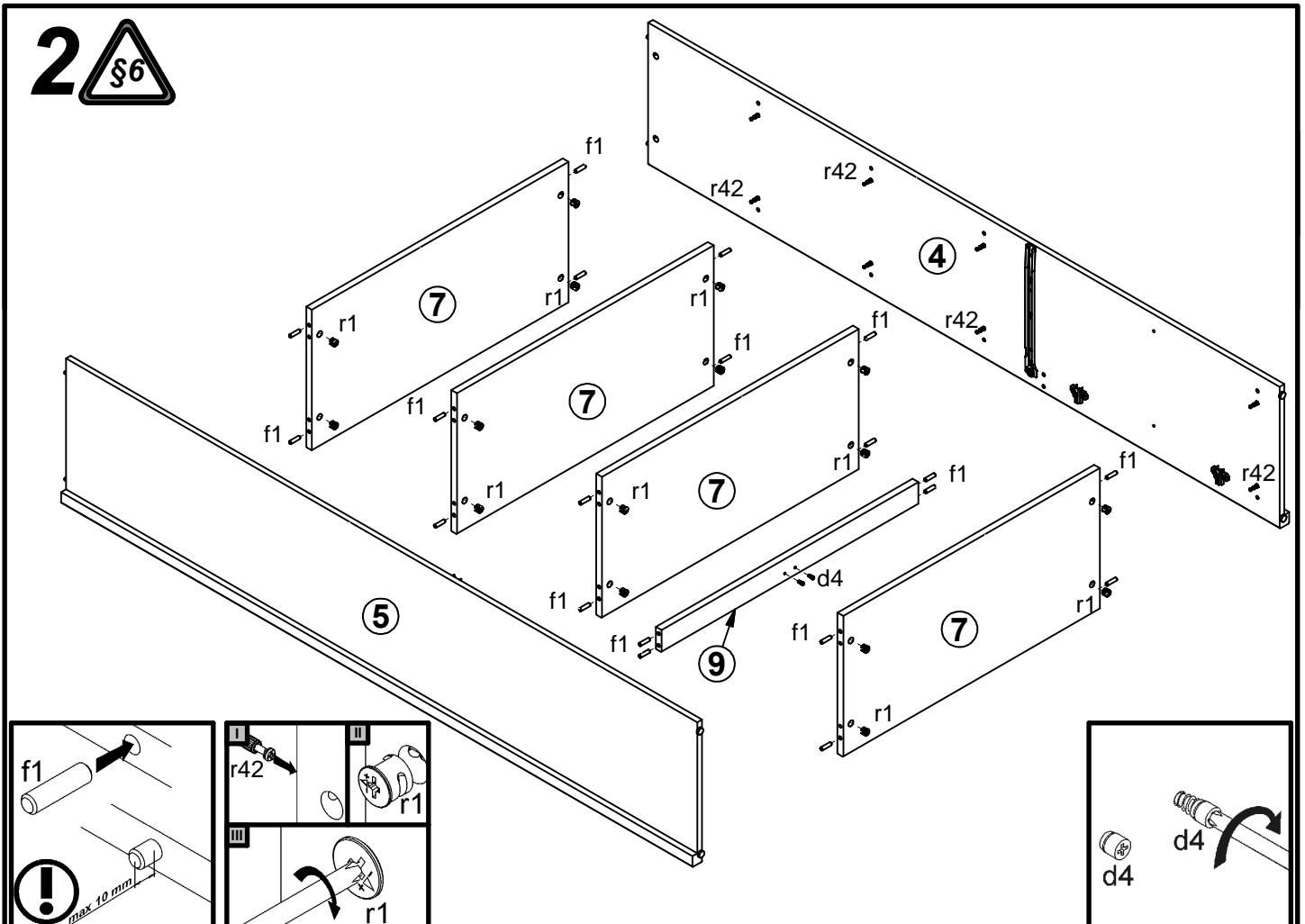


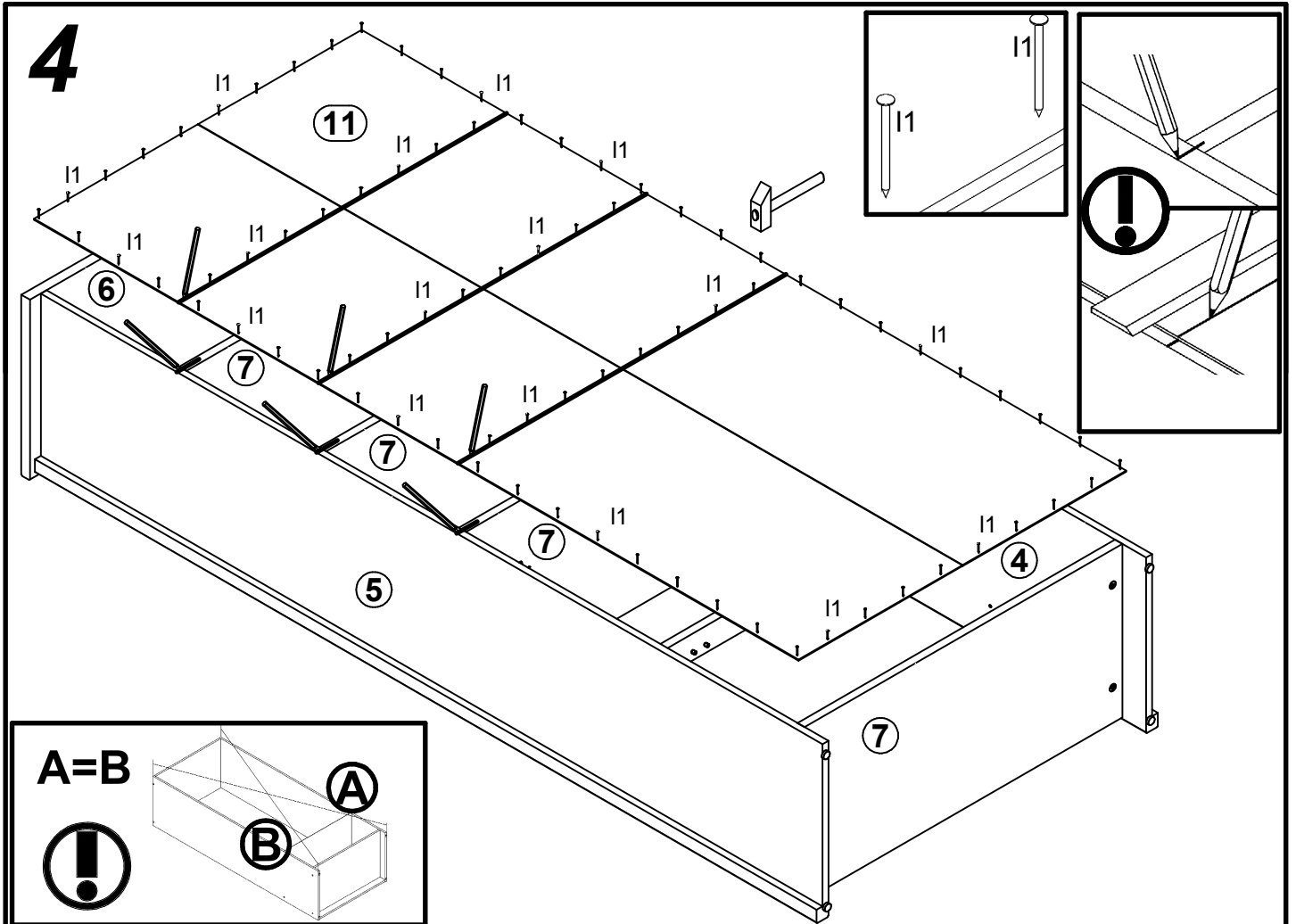
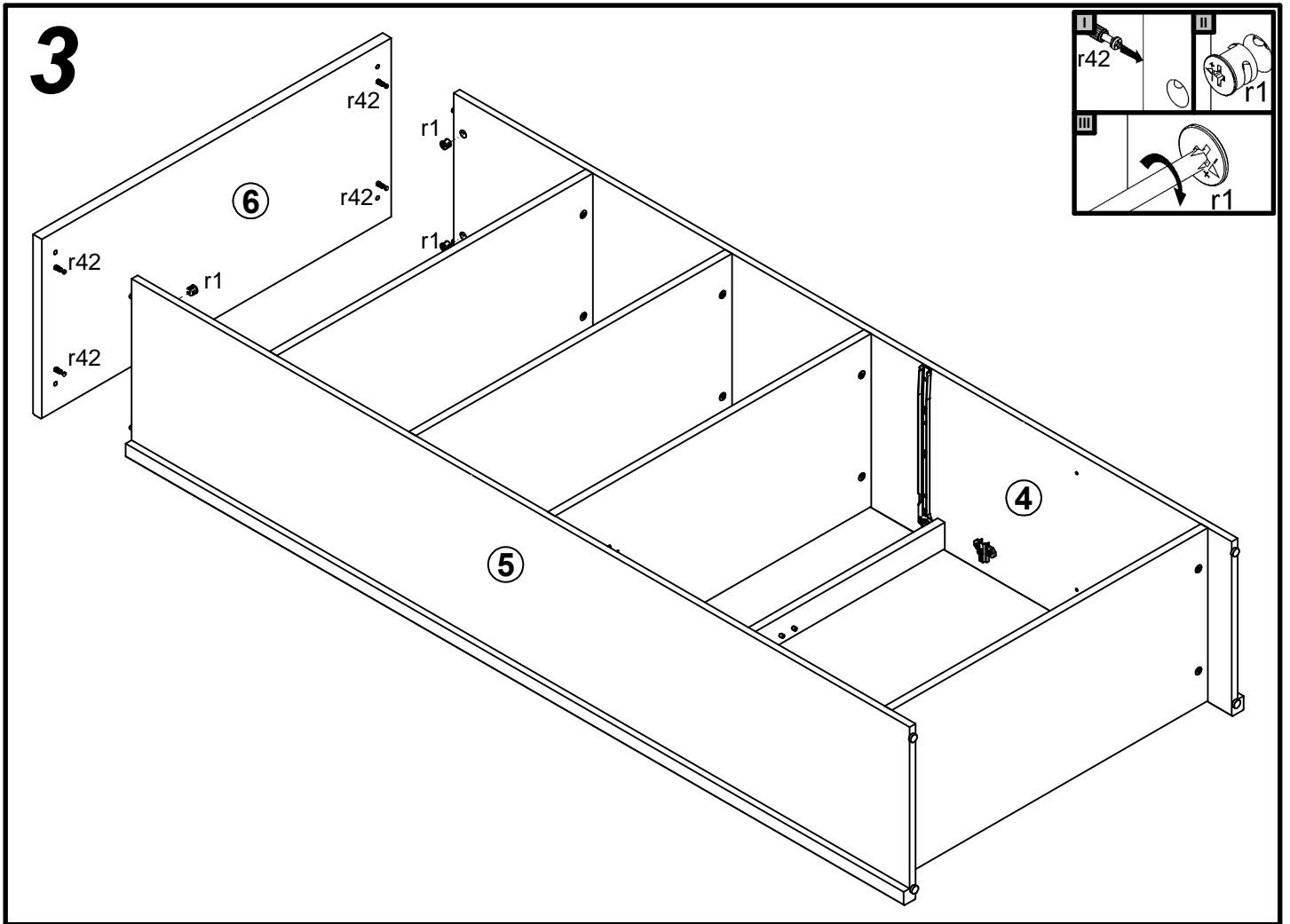
4x K16 a43	4x b19	3x M4 c415	4x Ø5x17 mm d1	2x Ø6,3x15 mm d4	6x Ø6x13 mm e3	4x Ø5x9 mm e19	24x Ø8x30 mm f1	2x Ø6x30 mm f9
4x Ø6,5x40 mm f25	3x M4x20 mm j1	4x k1	80x l1	1x Ø3,5x16 mm p25	1x Ø3,5x10 mm p35	6x Ø3,5x16 mm p38	8x Ø3,5x15 mm p51	20x Ø15x12 mm #16 r1
4x Ø12x10,5 mm #12 r15	24x 20/11 r42	1x 350 mm t35	1x 350 mm w45\CL	1x 350 mm w45\CR	1x 350 mm w45\DL	1x 350 mm w45\DR	12x Ø16 s2	1x n26\1
1x Ø3,5x16 mm p38								

1

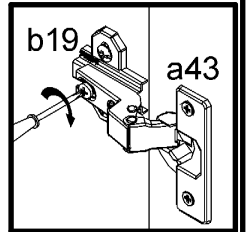
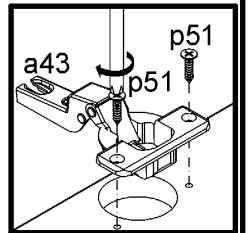
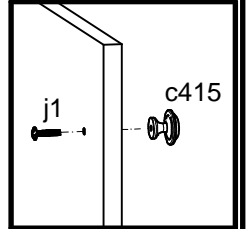
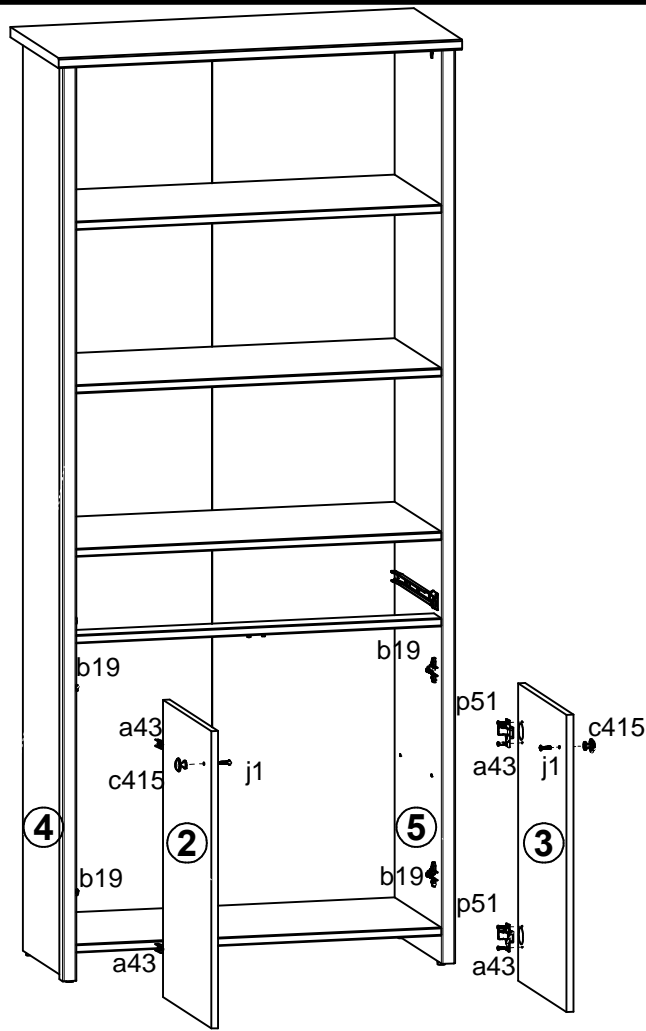


2

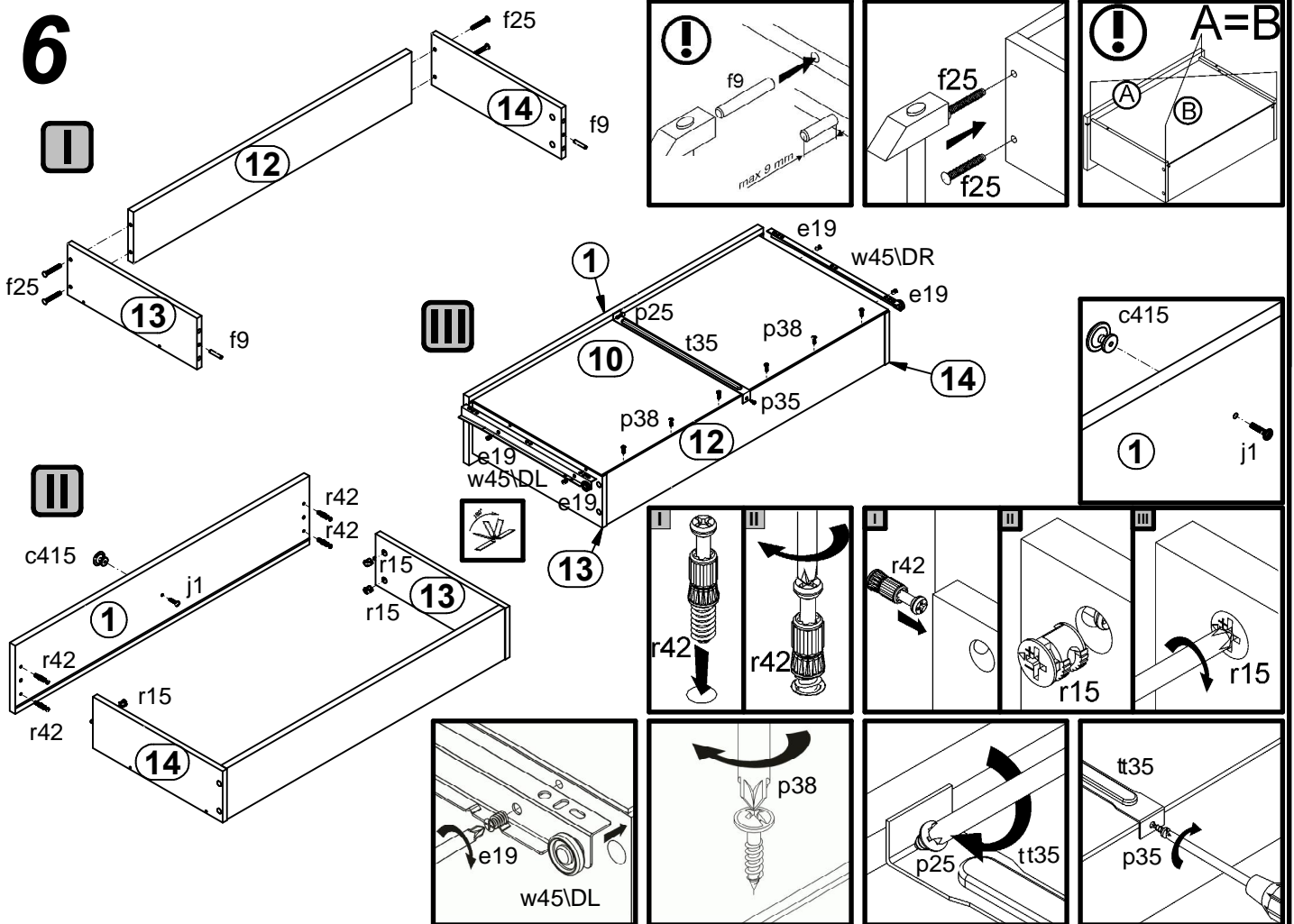




5



6



7

