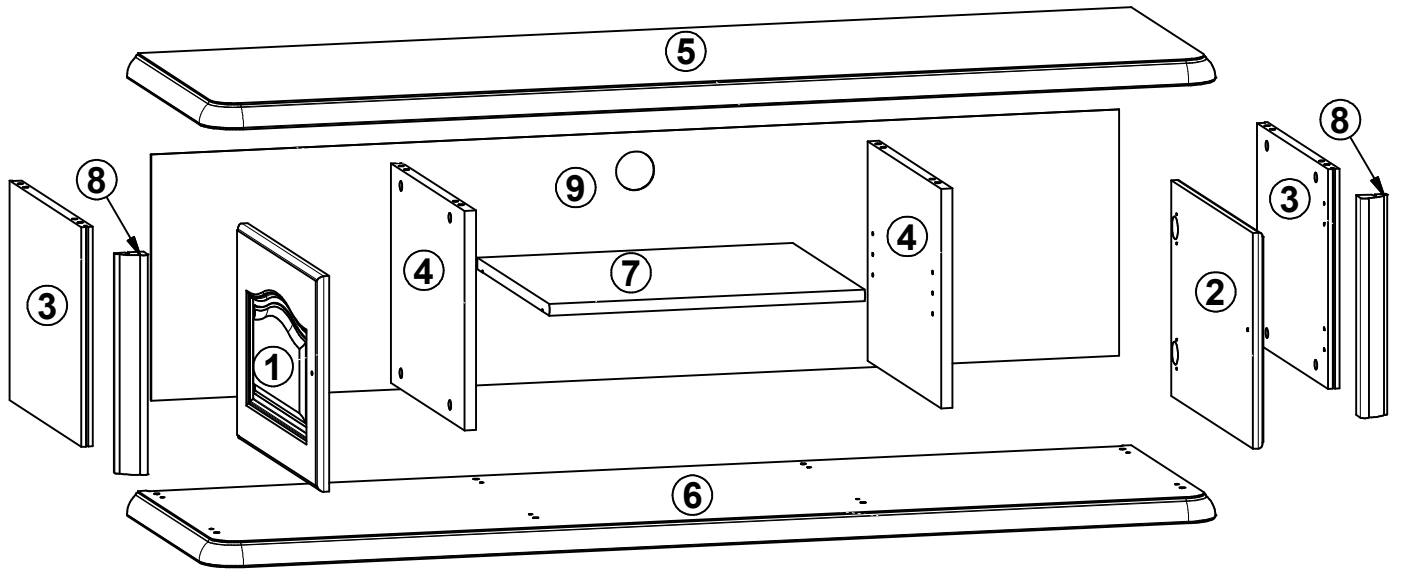
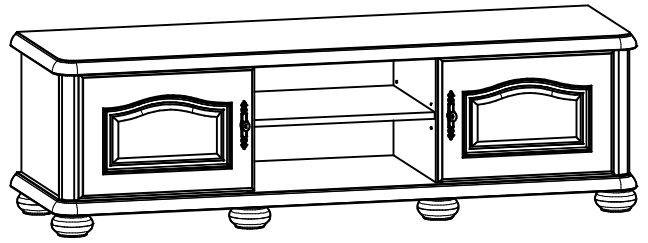


A

NATALIA

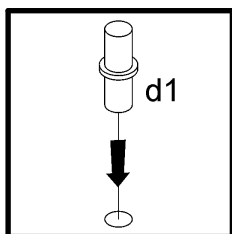
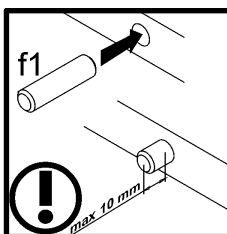
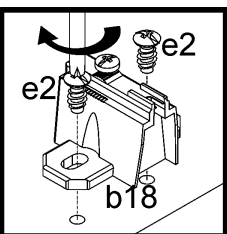
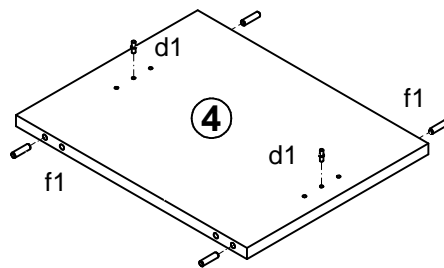
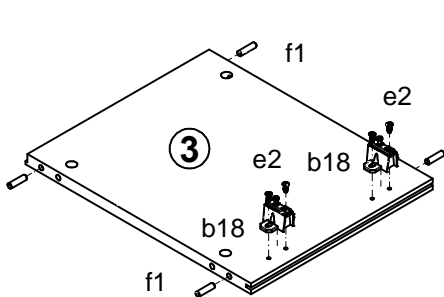
S41-rtv2d

| A | B | C | D | |
|---|---------|------|-----|-----|
| 1 | S41-047 | 334 | 480 | 5/5 |
| 2 | S41-048 | 334 | 480 | 5/5 |
| 3 | S41-159 | 340 | 423 | 1/5 |
| 4 | S41-160 | 340 | 432 | 1/5 |
| 5 | S41-252 | 1600 | 480 | 2/5 |
| 6 | S41-253 | 1600 | 480 | 2/5 |
| 7 | S41-328 | 497 | 425 | 1/5 |
| 8 | S41-583 | 340 | 47 | 3/5 |
| 9 | S41-930 | 1526 | 381 | 2/5 |

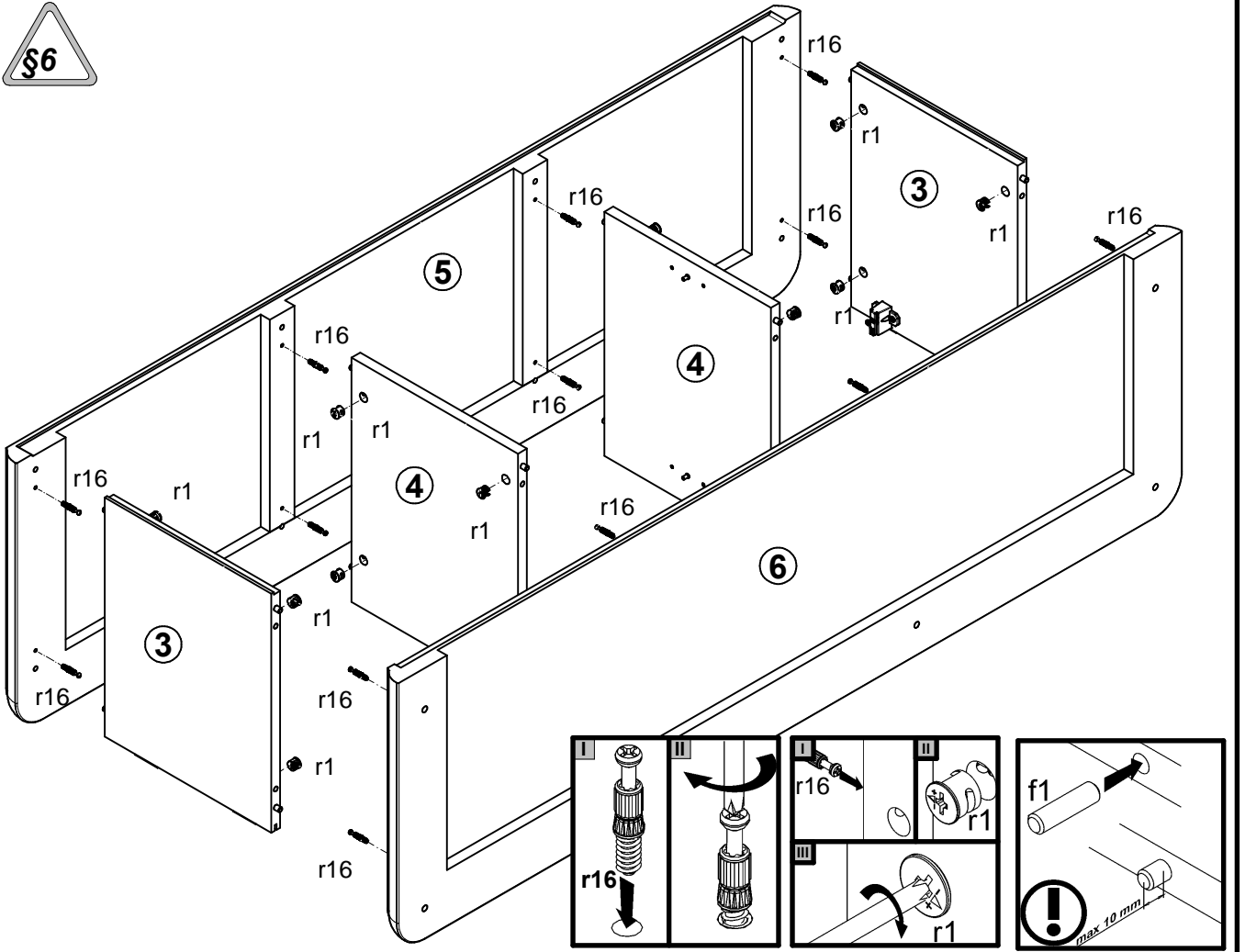


| | | | | | | | | |
|----------------------------|-----------|-------------------------|----------------------------|------------------------|-----------------------|-------------------------|------------------------|----------------------|
| 4x a43 | 4x b18 | 2x c69 | 4x d1 Ø5x17 mm | 8x e2 Ø6.3x13 mm | 16x f1 Ø8x30 mm | 4x f11 46x18x4 mm | 6x f27 Ø10x40 mm | 2x j8 M4x25 mm |
| 6x k47 Ø110x58/62 mm | 45x l1 | 8x p51 Ø3.5x15 mm | 16x r1 Ø15x12 mm #16 | 8x r16 | 1x y1 GLUE | 16x s2 Ø16 | | |

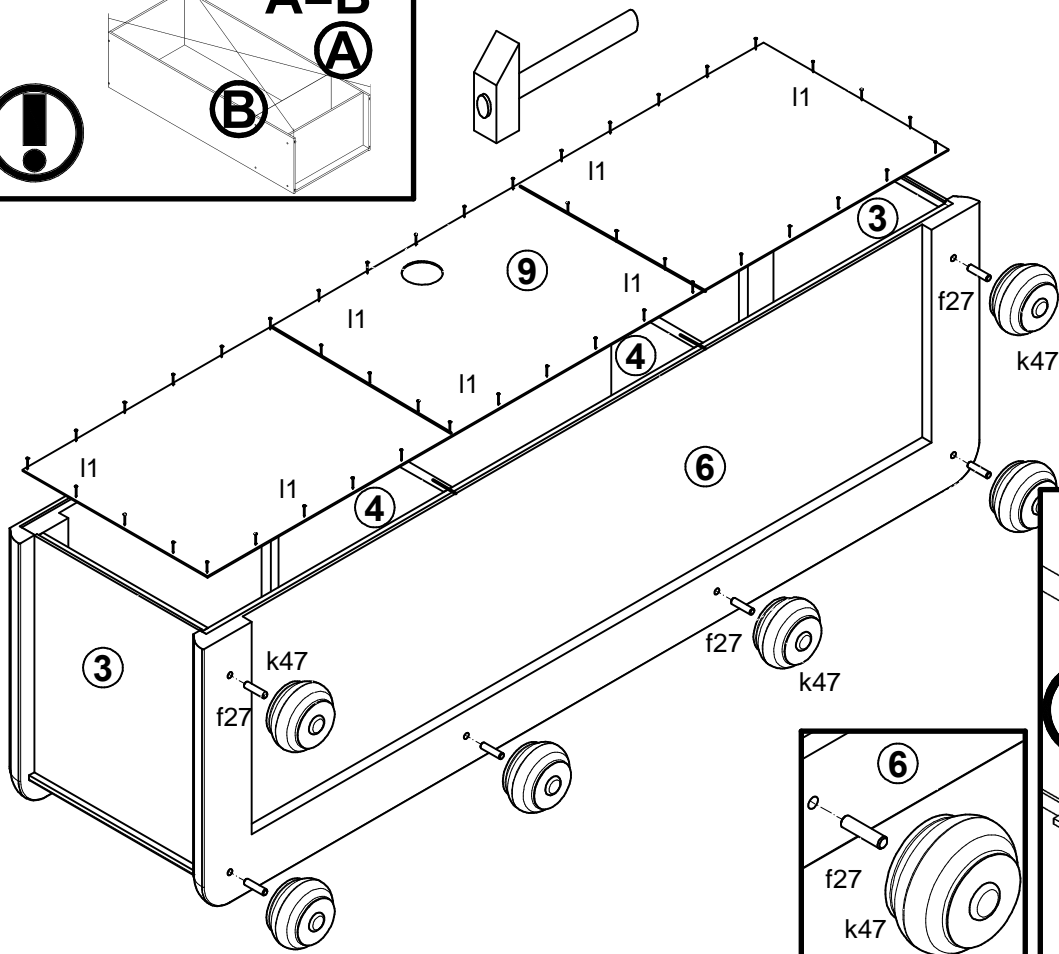
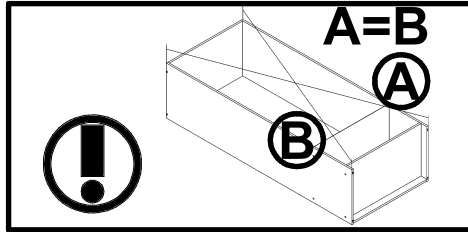
1



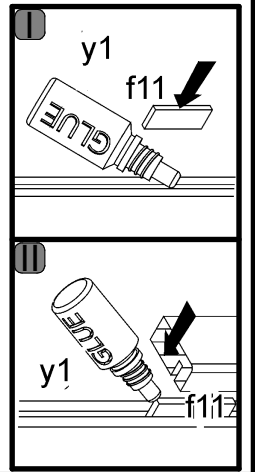
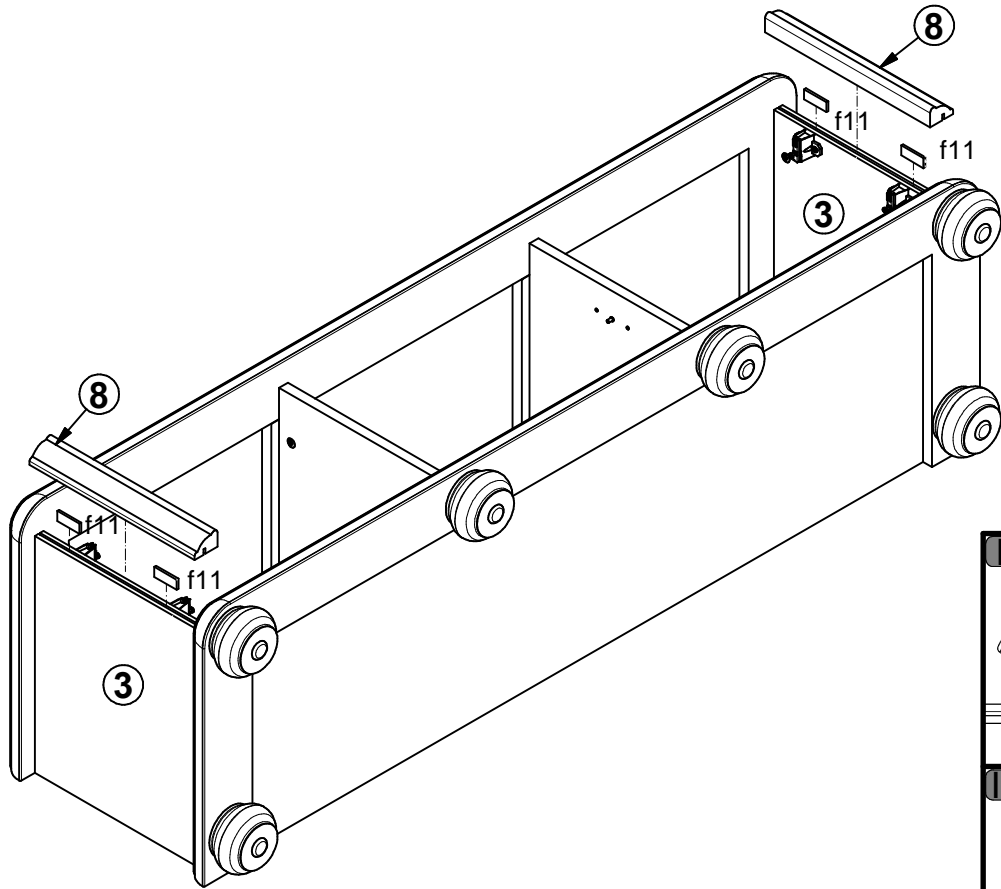
2 



3



3



4

