







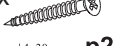





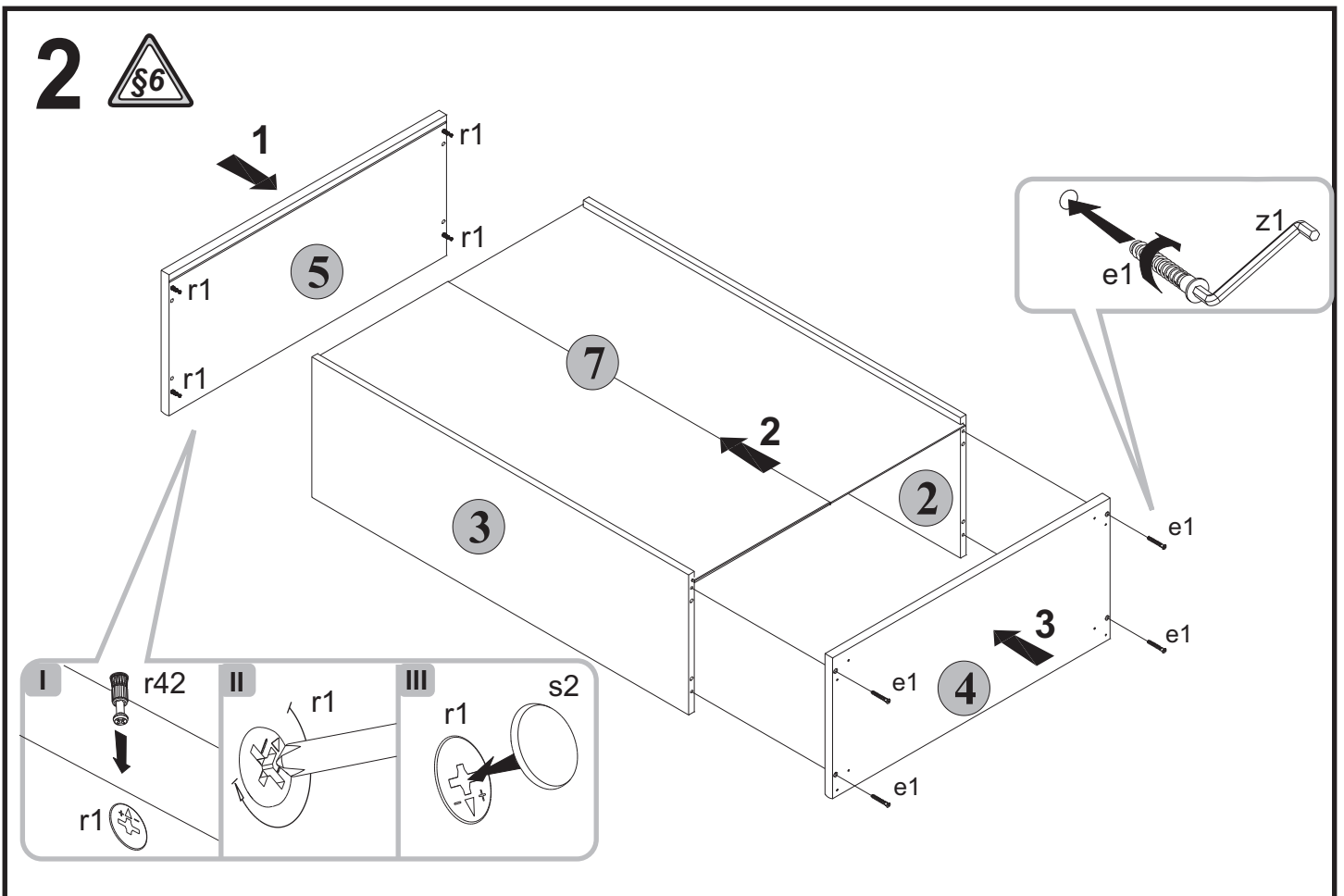
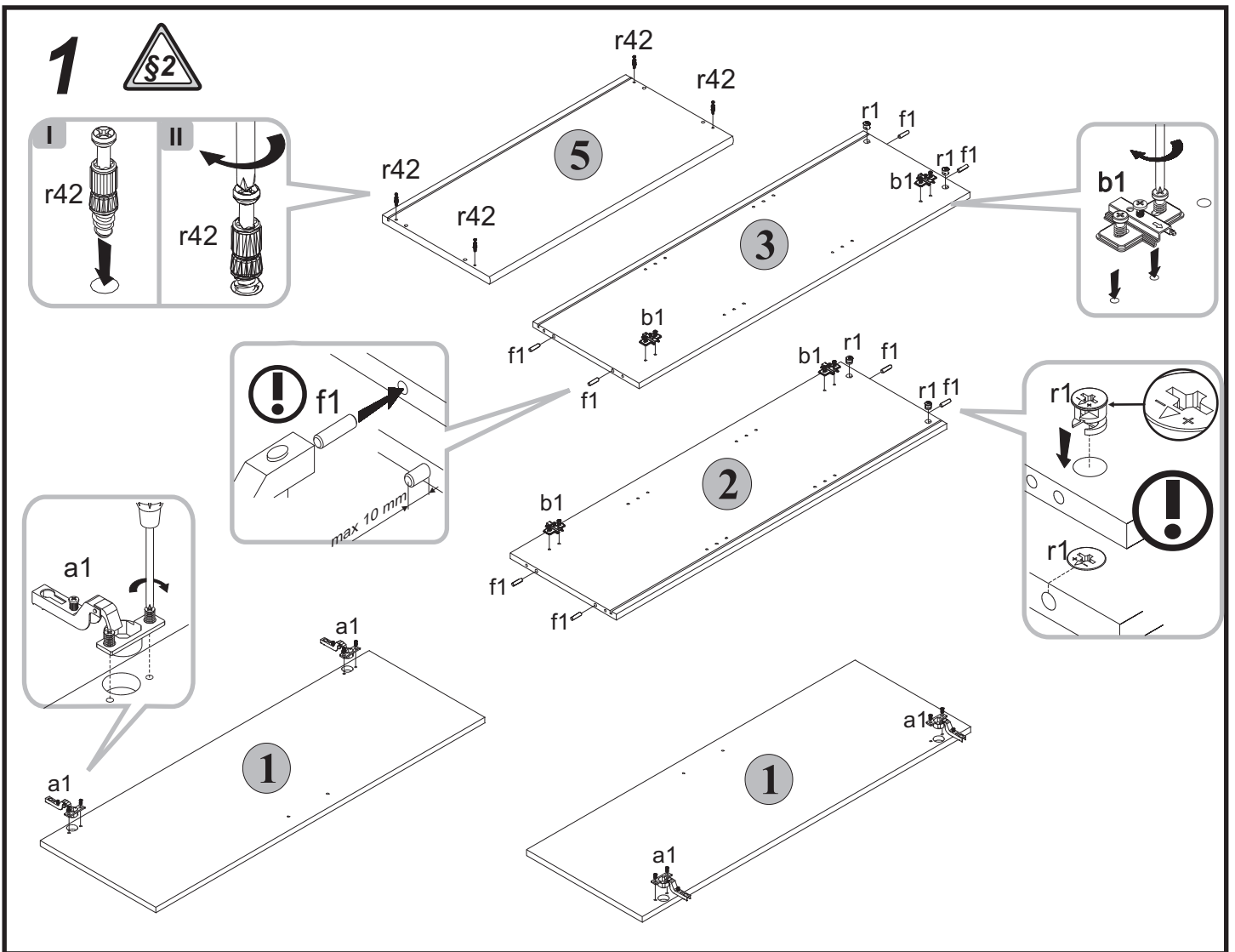
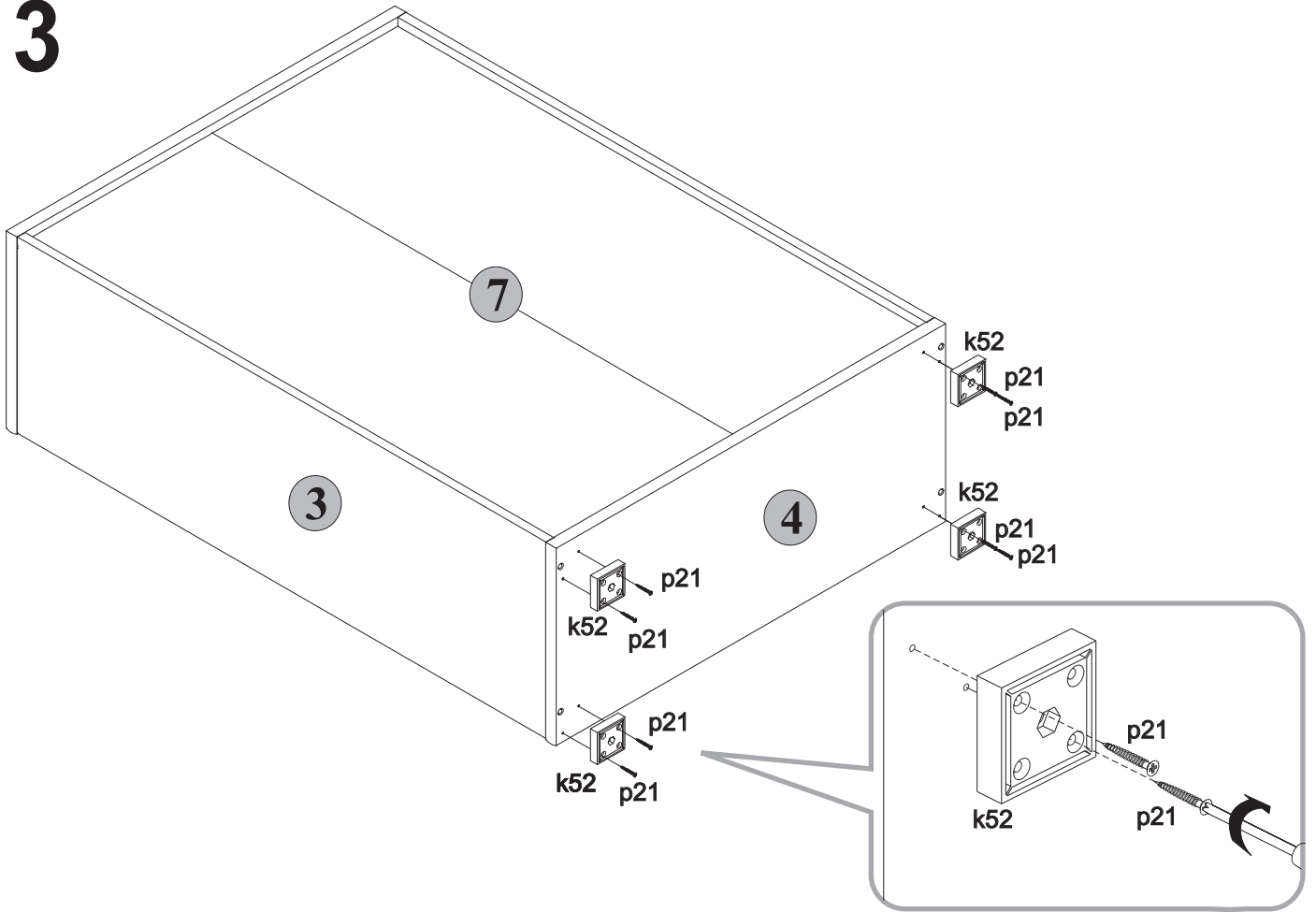


A	B	C	D
1	S 171-002	1069x376	1/1
2	S 171-105	1075x346	1/1
3	S 171-106	1075x346	1/1
4	S 171-202	791x350	1/1
5	S 171-204	791x350	1/1
6	S 171-302	757x309	1/1
7	S 171-903	1089x771	1/1

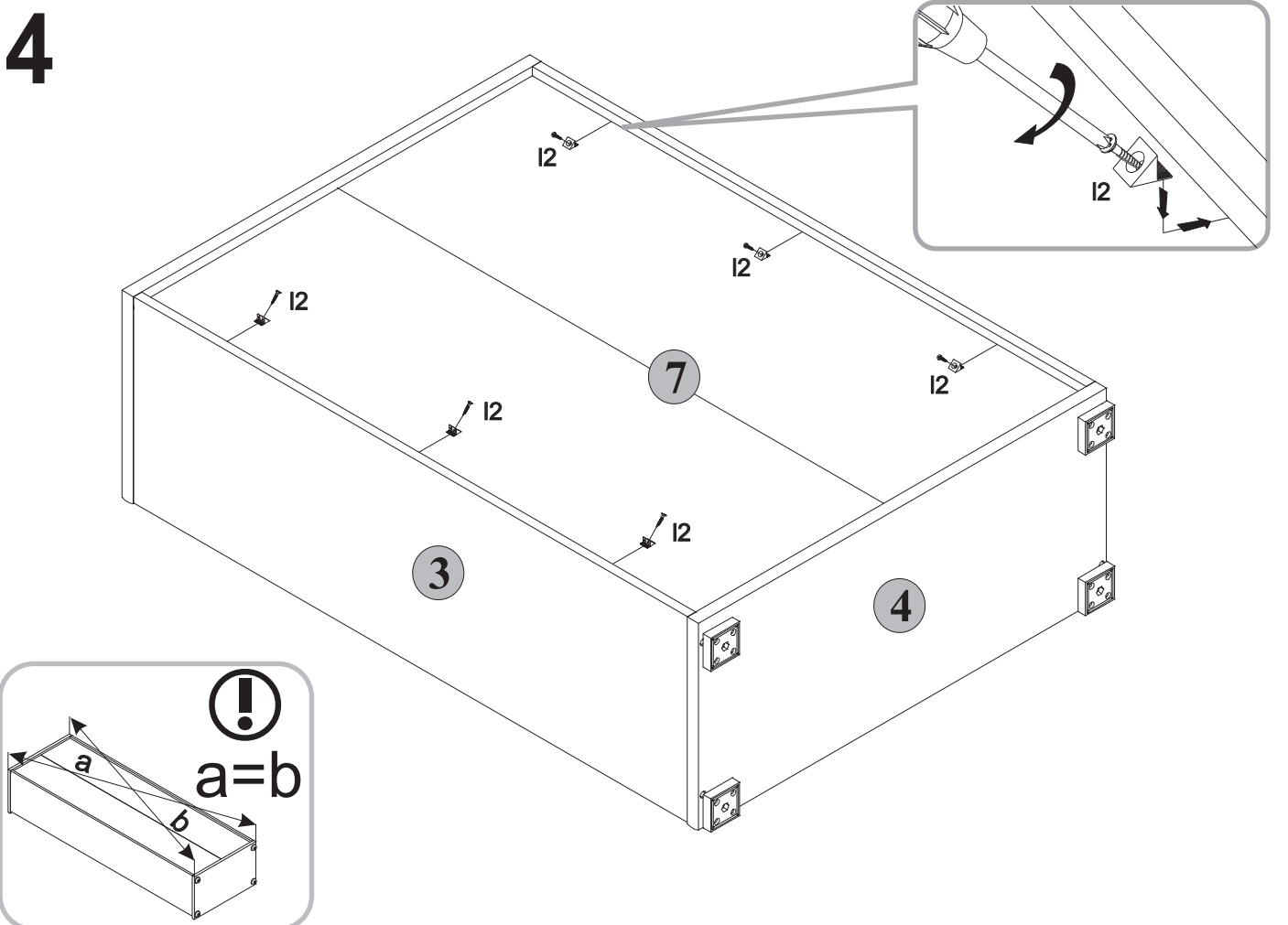
2x  c328	4x  k16	4x  φ7x50 mm e1	8x  φ5 d1	8x  φ8x30 mm f1
4x  φ4x30 mm p9	4x  b1	4x  56x56,20 mm k52	8x  φ4x30 mm p21	4x  φ15x12mm #16 r1
6x  i2	4x  r42	4x  φ16 s2	1x  z1	



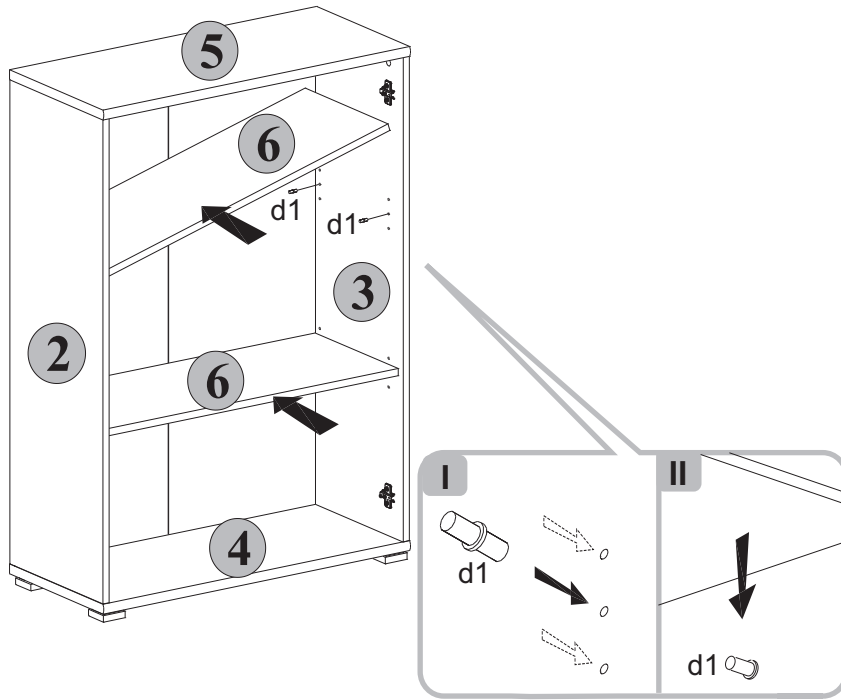
# 3



# 4



# 5



# 6

