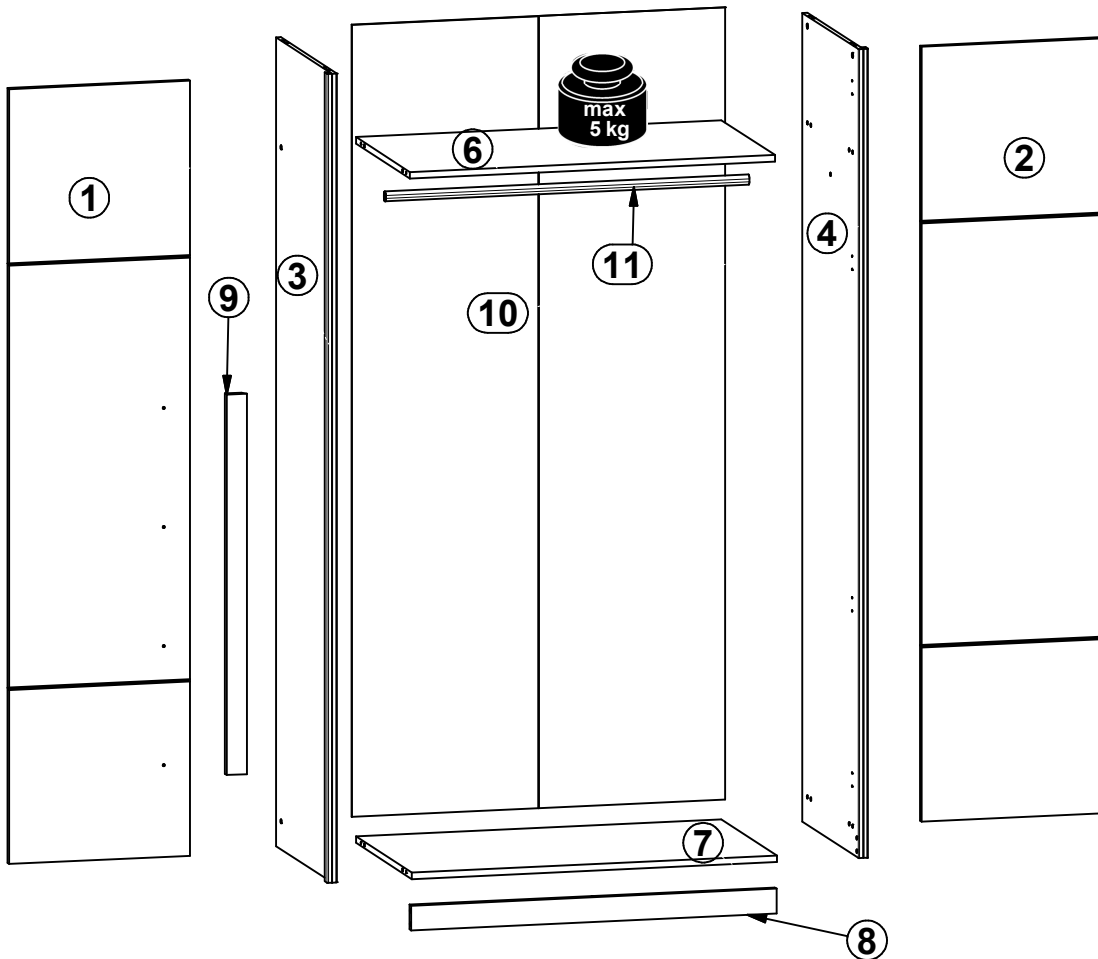
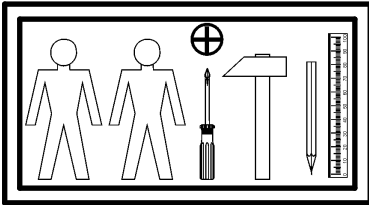
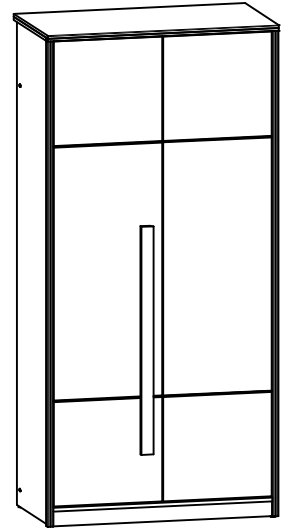


A

NAMEK

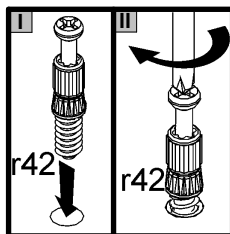
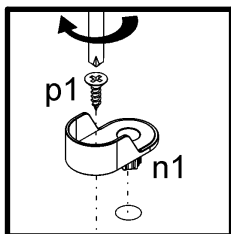
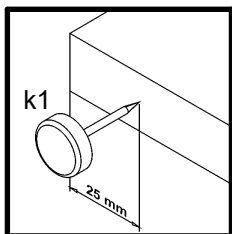
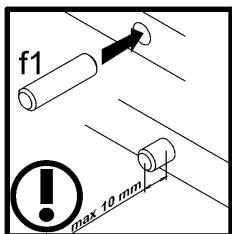
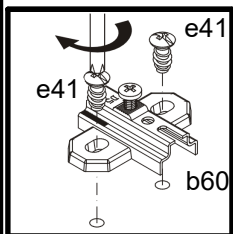
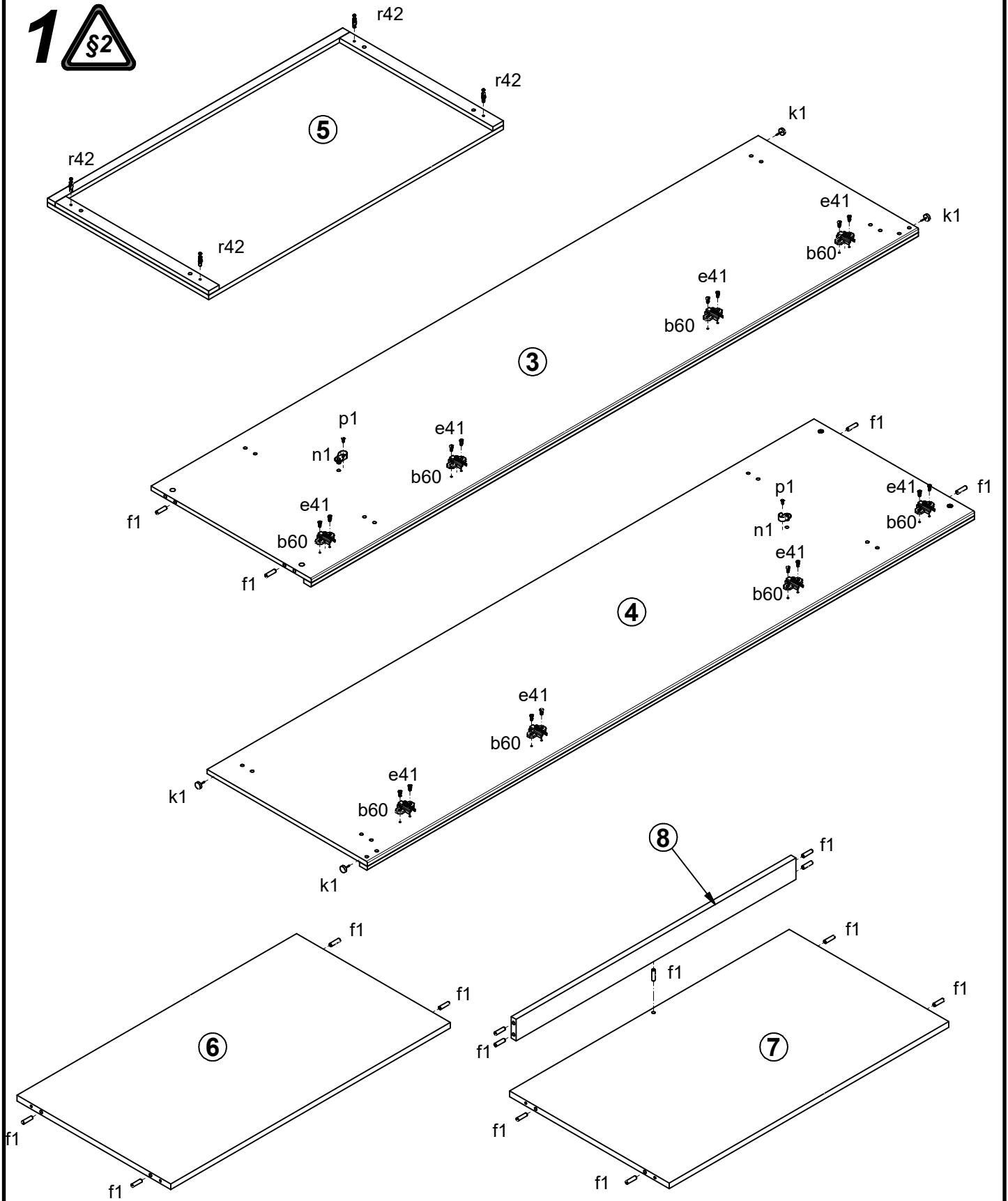
S412-SZF2D

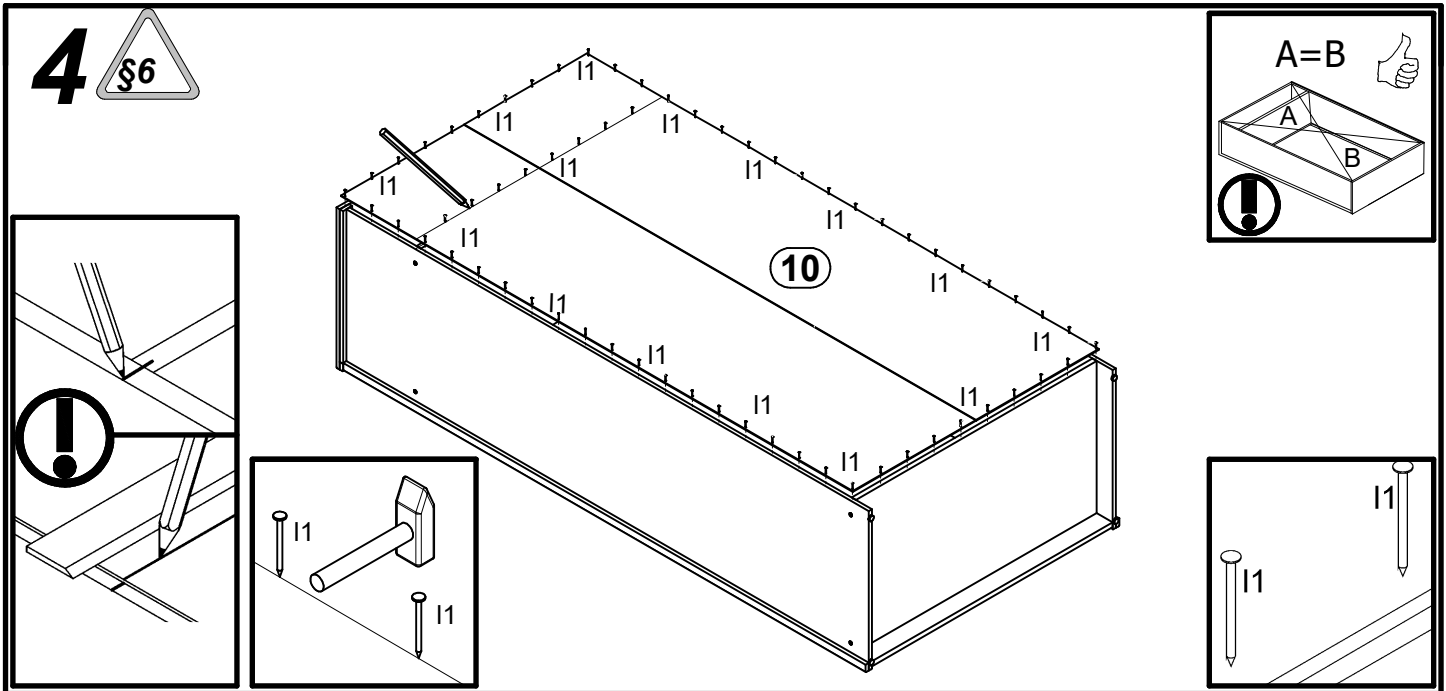
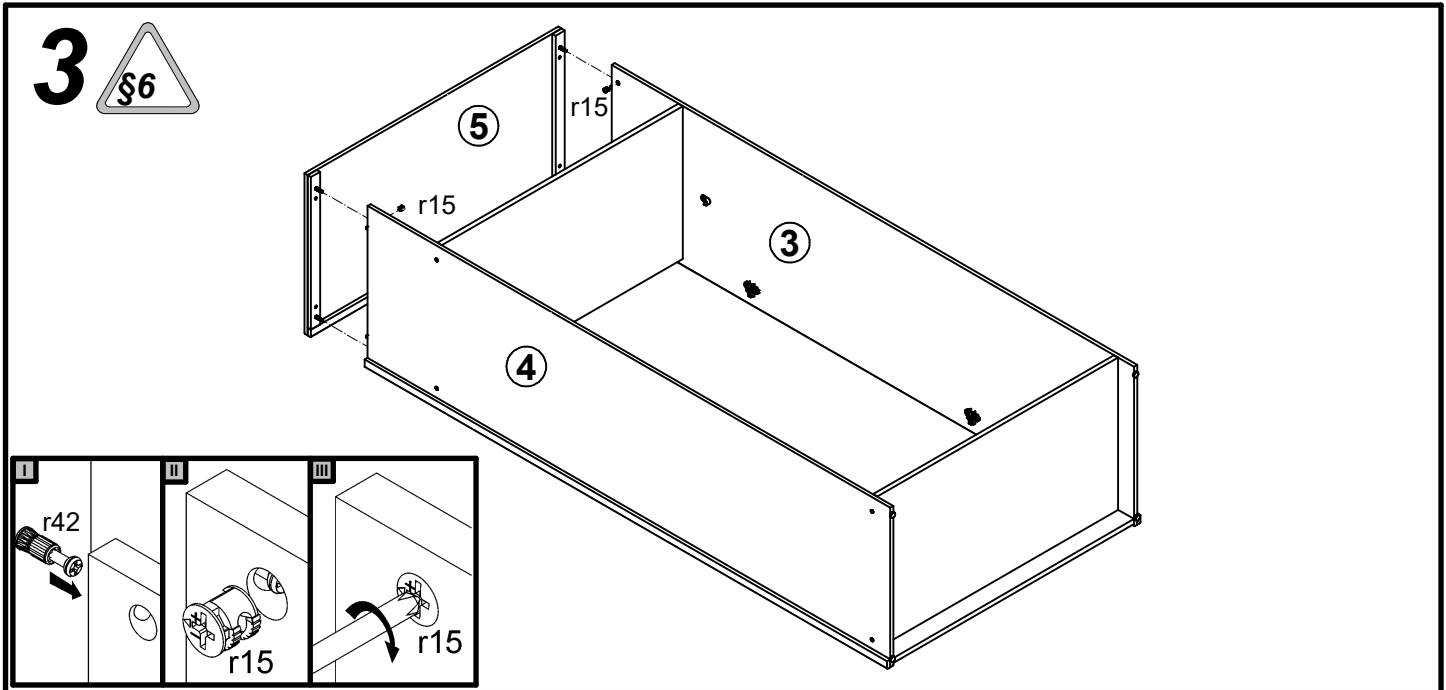
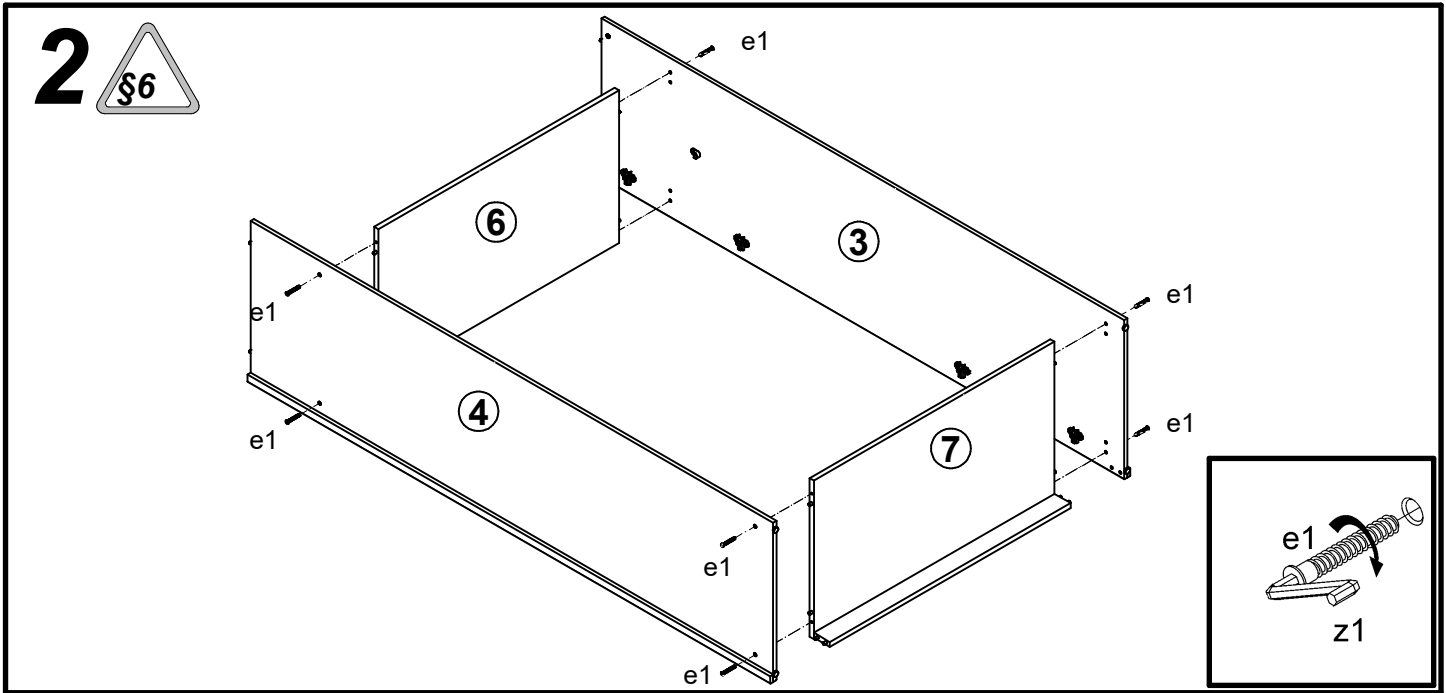
| A | B | C | D |
|----|-----------|-------|----------|
| 1 | S412-0001 | 1874, | 446 1/3 |
| 2 | S412-0002 | 1874, | 446 3/3 |
| 3 | S412-1001 | 1956, | 517 3/3 |
| 4 | S412-1002 | 1956, | 517 1/3 |
| 5 | S412-2001 | 950 | 520 2/3 |
| 6 | S412-3001 | 901 | 495, 2/3 |
| 7 | S412-3002 | 901 | 514 2/3 |
| 8 | S412-4001 | 901 | 60 2/3 |
| 9 | S412-5701 | 920, | 50, 2/3 |
| 10 | S412-9301 | 1916, | 921, 1/3 |
| 11 | dr-897 | 897, | 22 2/3 |



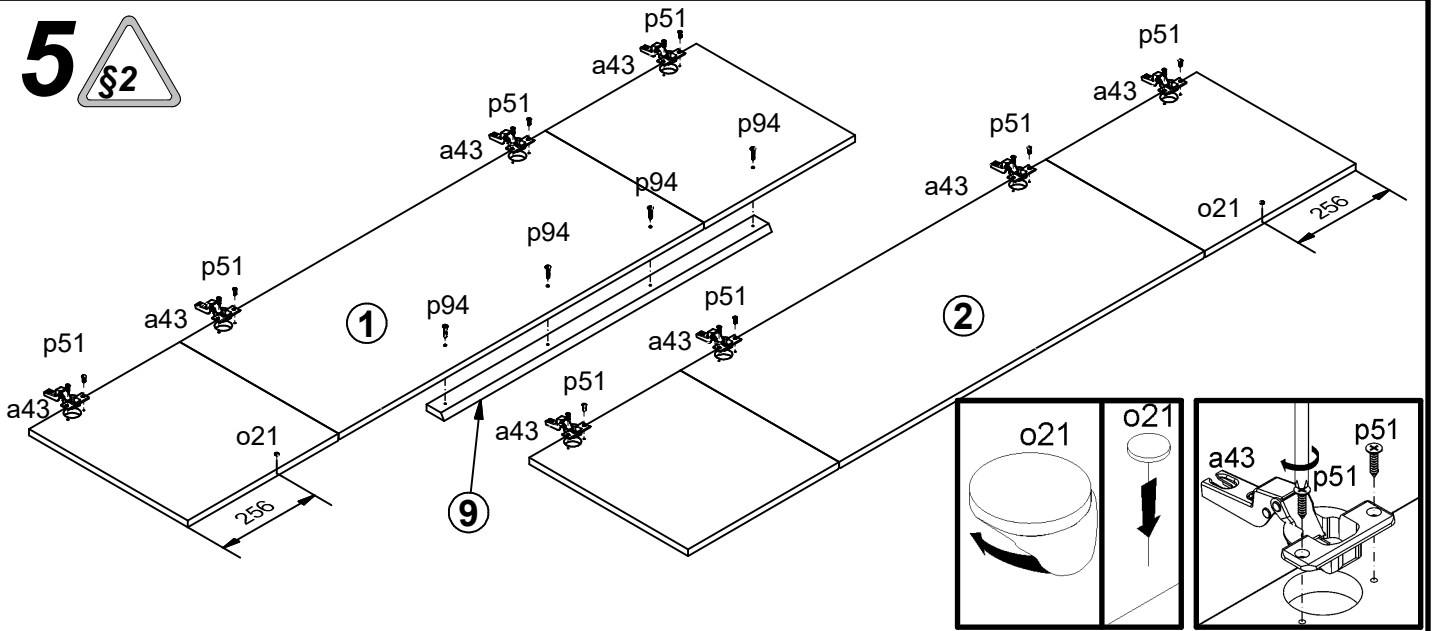
| | | | | | | | | |
|-------------------------|--------------------------|-----------------------|------------------------------|-----------------------|----------|------------------------|--------------------|----------------------|
| 8x K16 a43 | 8x D5 b60 | 8x Ø7x50 mm e1 | 16x Ø5x12 mm e41 | 17x Ø8x30 mm f1 | 4x k1 | 65x 1.4x20 mm l1 | 2x h=22mm n1 | 2x silikon o21 |
| 2x Ø3.5x13 mm p1 | 16x Ø3.5x15 mm p51 | 4x Ø4x28 mm p94 | 4x Ø12x10.5 mm #12 r15 | 4x 20/11 r42 | 8x s1 | 4x Ø12 s34 | 1x 4 mm z1 | 1x n26 |
| 1x Ø3.5x16 mm p38 | | | | | | | | |

1 





5



6

