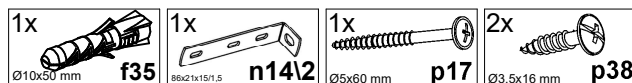
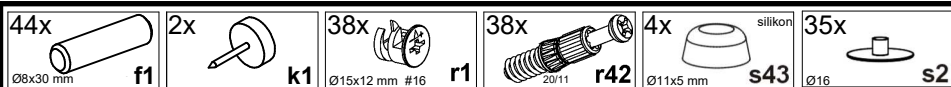
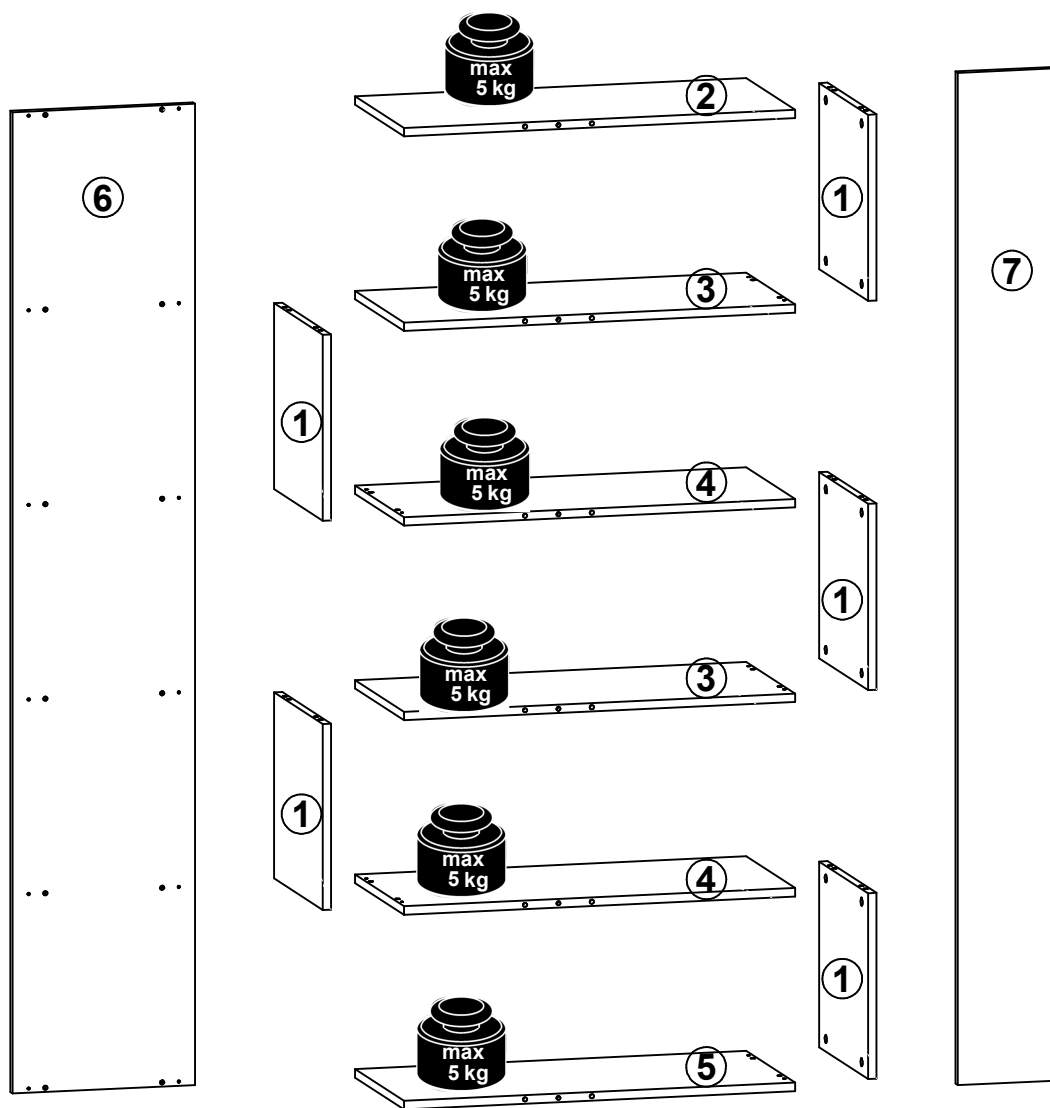
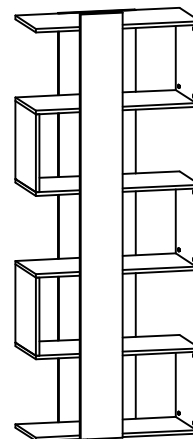
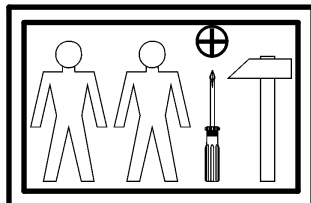


A

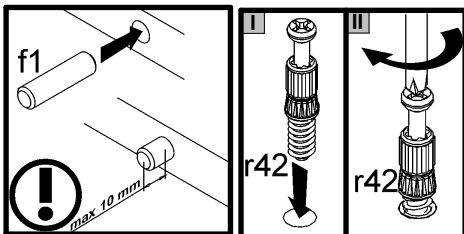
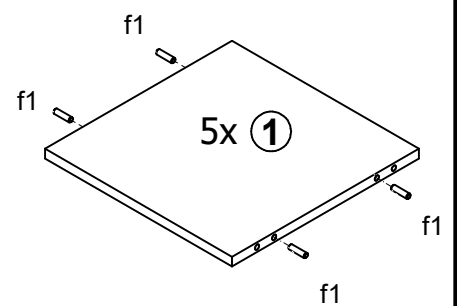
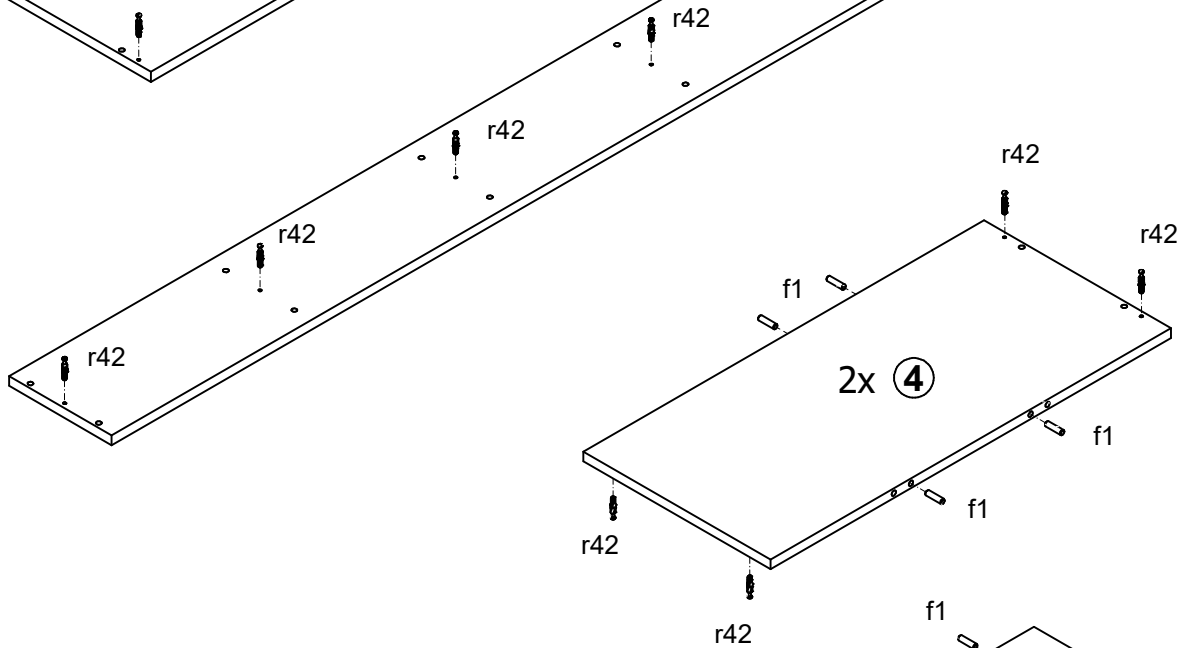
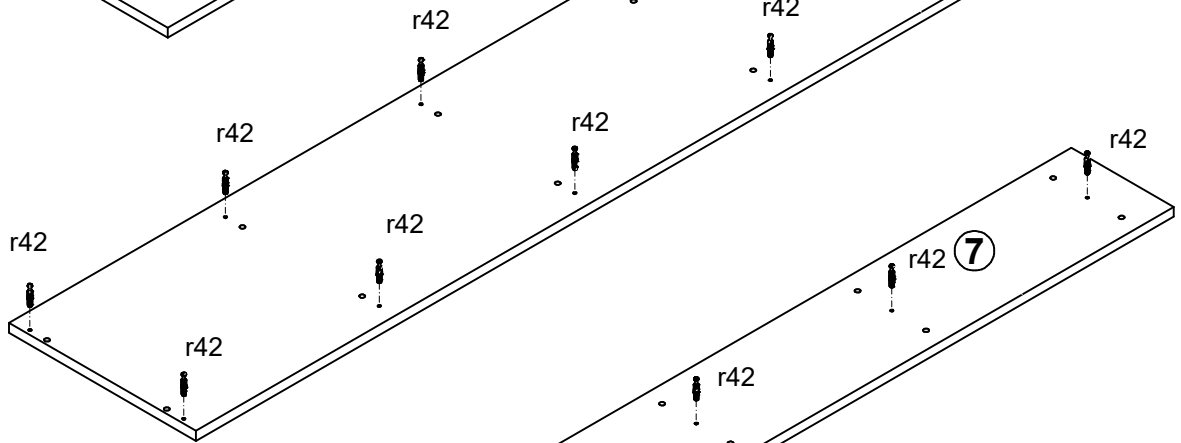
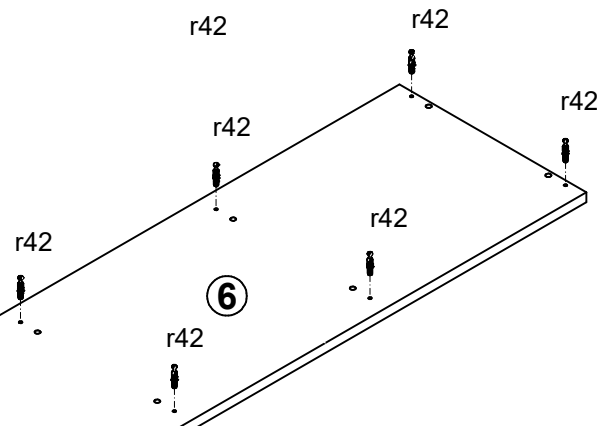
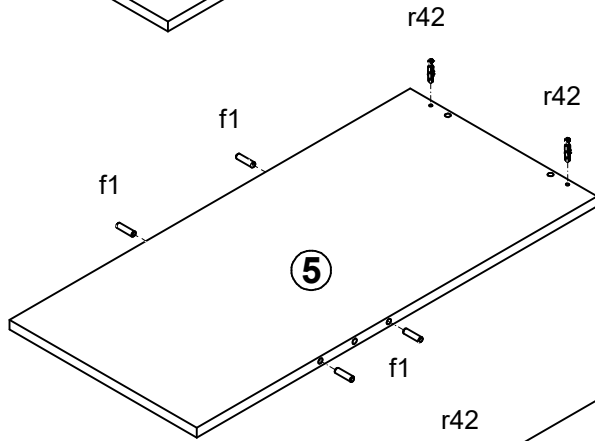
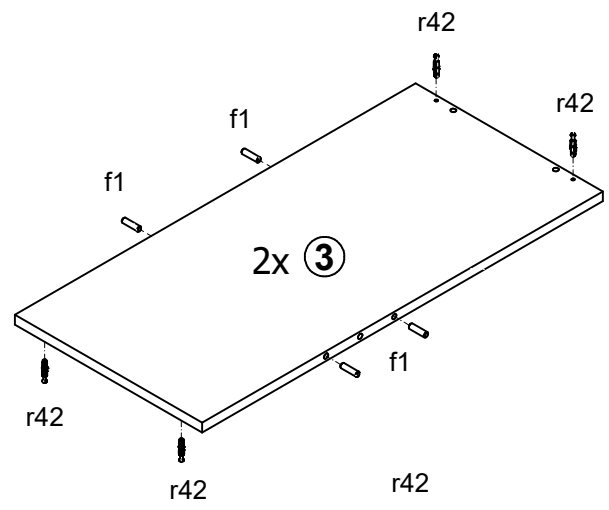
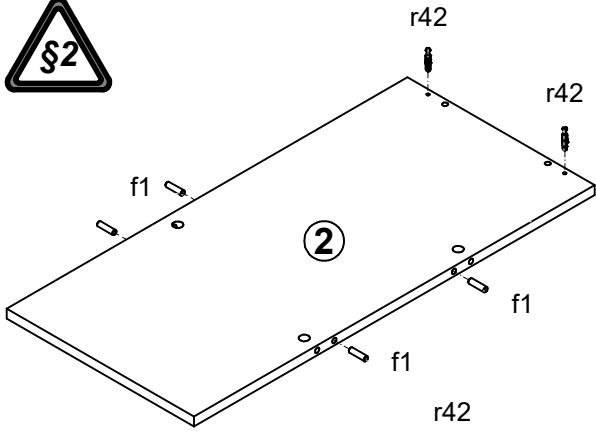
NAMEK

S412-REG/20/8/P

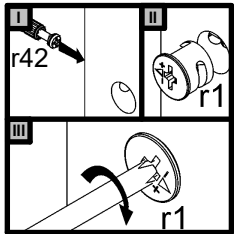
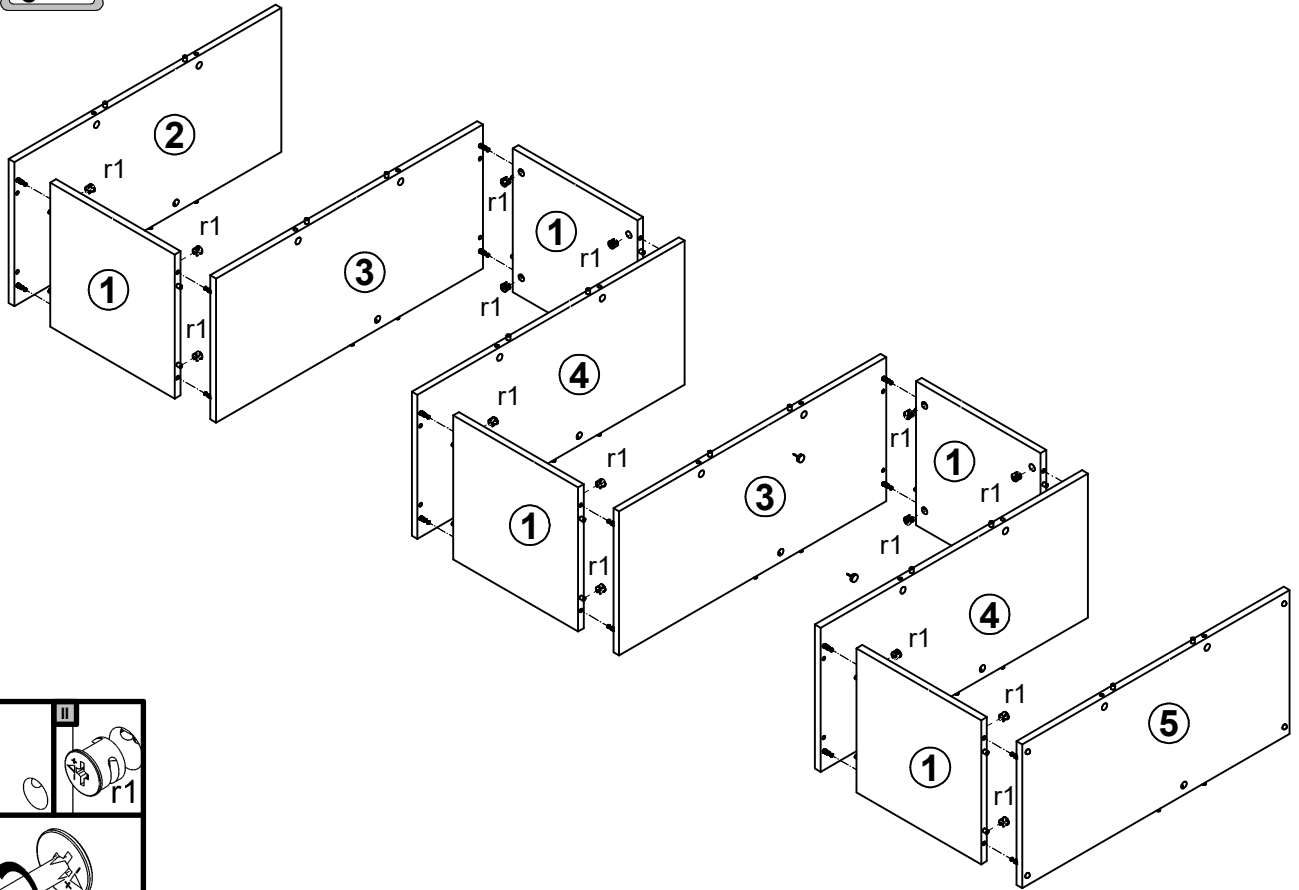
A	B	C	D
1	S412-1016	350	350 1/2
2	S412-2011	750	350 2/2
3	S412-2012	750	350 2/2
4	S412-2013	750	350 2/2
5	S412-2014	750	350 2/2
6	S412-4006	1846	350 1/2
7	S412-4007	1904	192 1/2



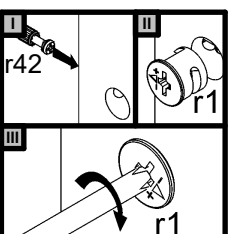
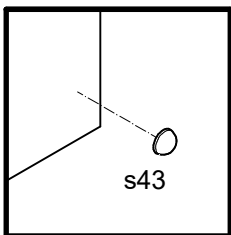
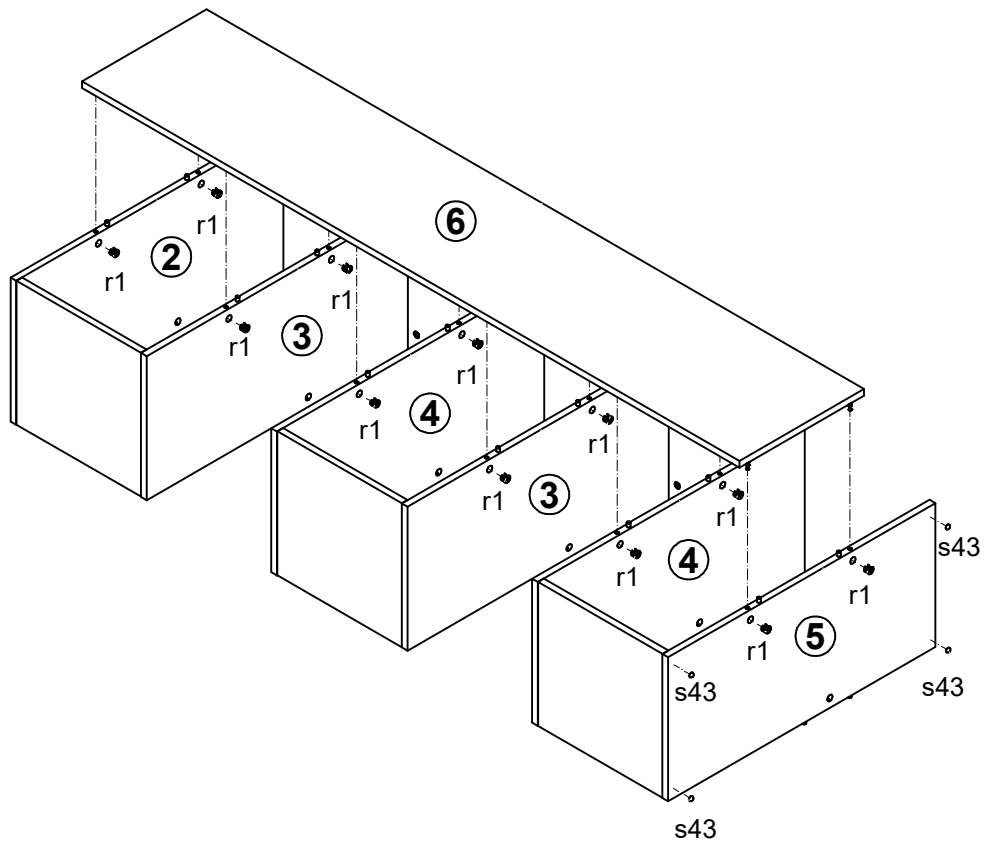
1 



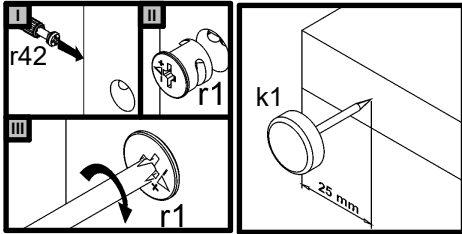
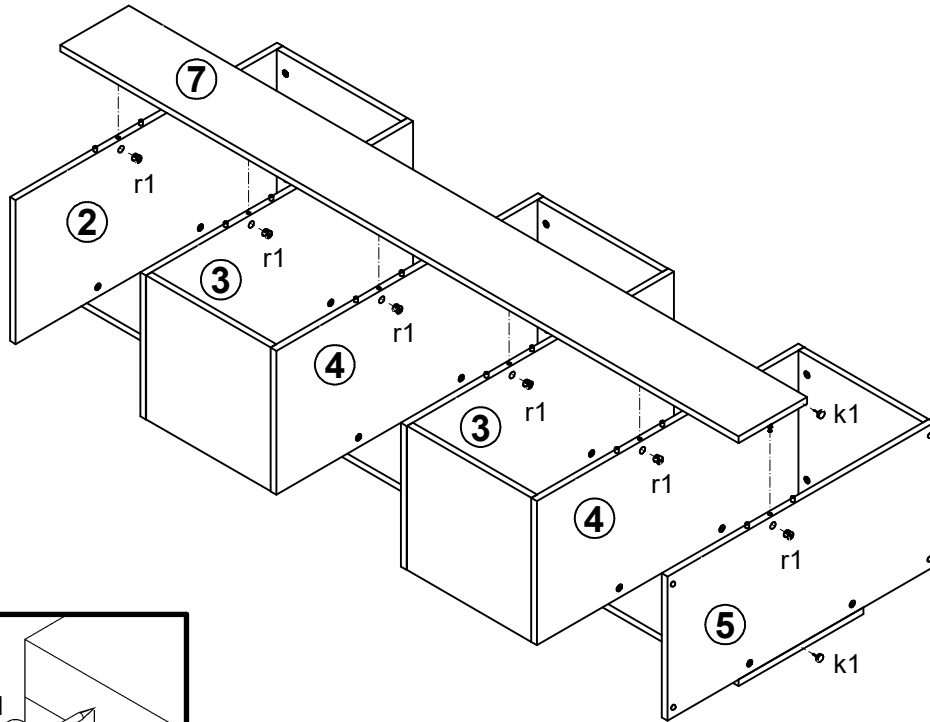
2



3



4

5

