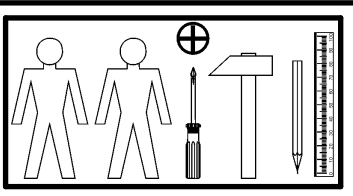
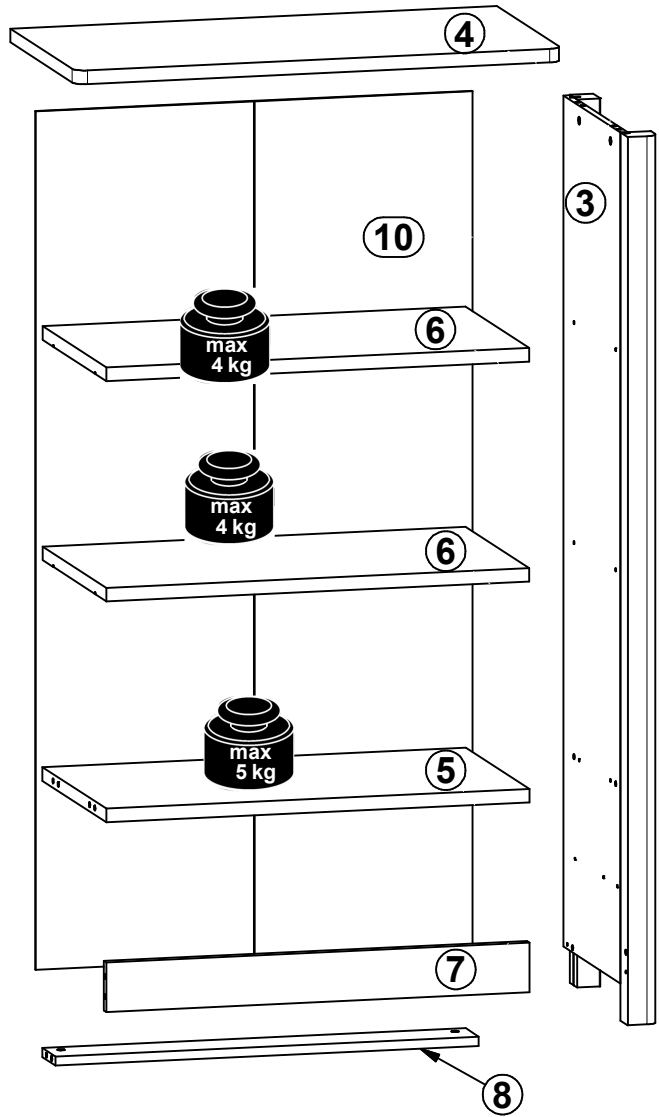
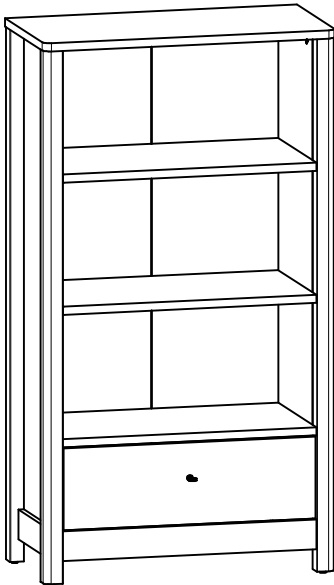
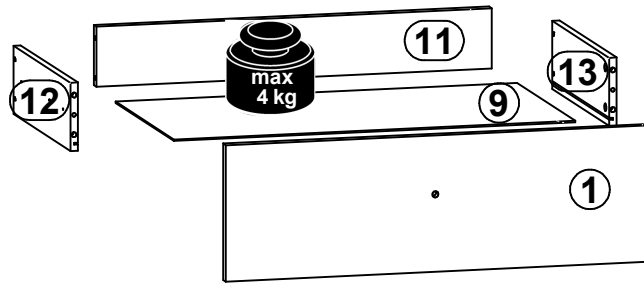
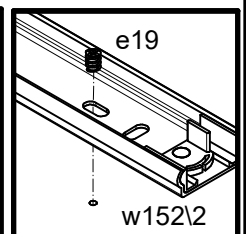
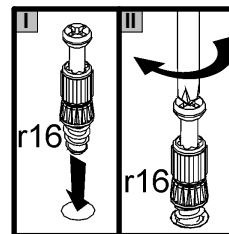
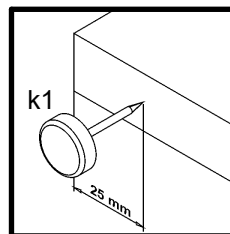
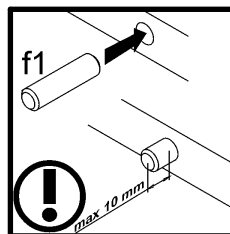
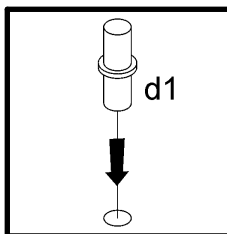
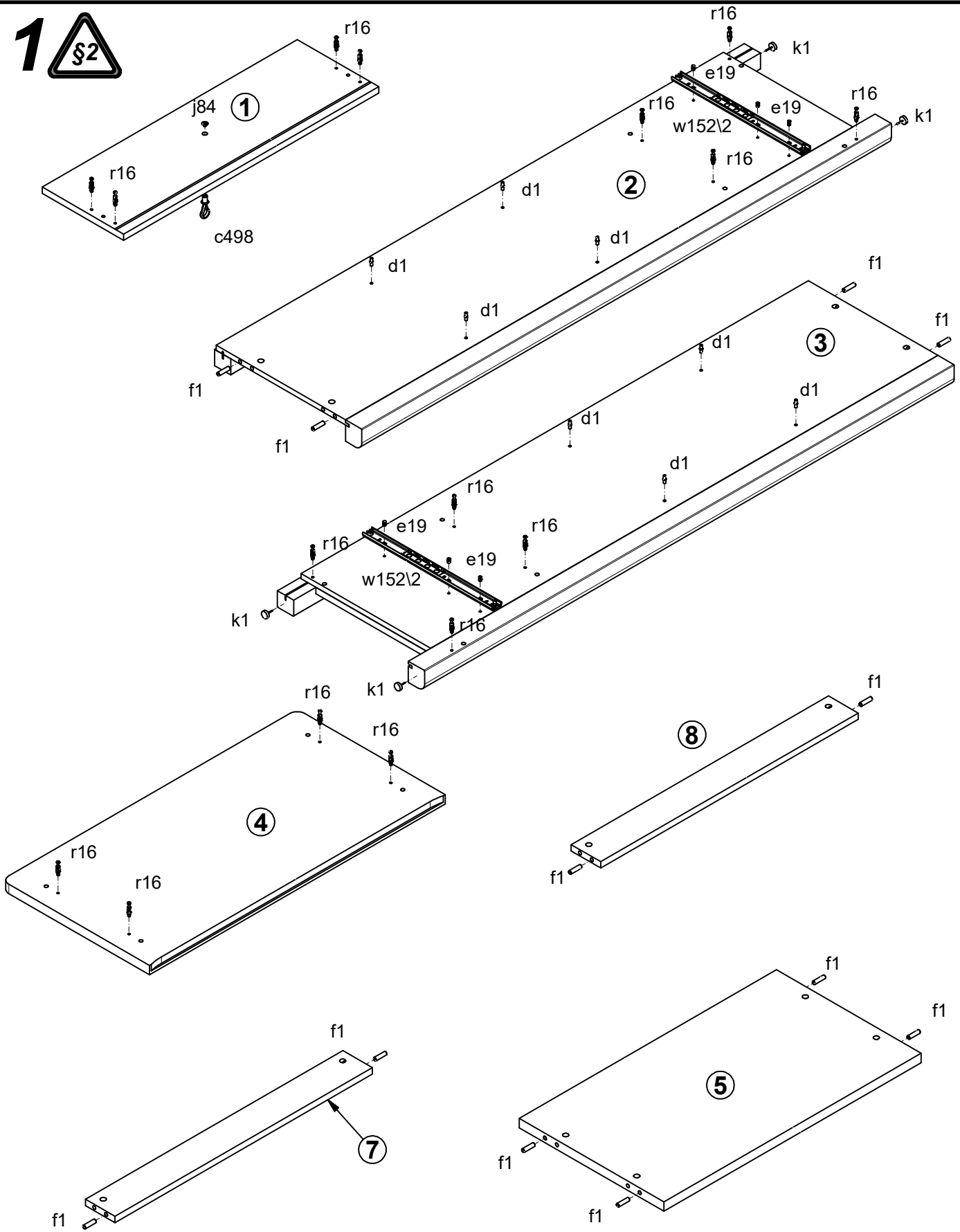


A	B	C	D
1	S401-0005	690	220 3/3
2	S401-1003	1432	398 2/3
3	S401-1004	1432	398 2/3
4	S401-2003	800	400 1/3
5	S401-3003	696	391 1/3
6	S401-3004	695	391 1/3
7	S401-4004	696	80 1/3
8	S401-4006	696	80 1/3
9	S401-9003	660	357 1/3
10	S401-9302	1384	718 2/3
11	ZK3-5005	650	97 1/3
12	ZK3-519	350	110 1/3
13	ZK3-520	350	110 1/3

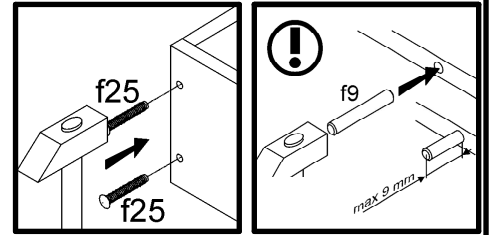
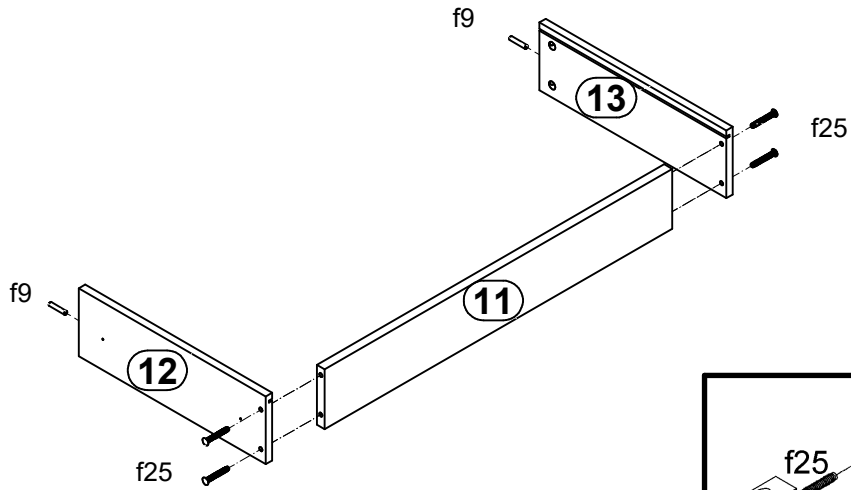


1x  <b>c498</b>	8x  <b>d1</b> Ø5x17 mm	6x  <b>e19</b> Ø5x9 mm	12x  <b>f1</b> Ø8x30 mm	4x  <b>f25</b> Ø6.5x40 mm	2x  <b>f9</b> Ø6x30 mm	1x  <b>j84</b> M4x5 mm	4x  <b>k1</b>	50x  <b>l1</b> 1.4x20 mm
6x  <b>p140</b> Ø3.5x12 mm	1x  <b>p25</b> Ø3.5x16 mm	1x  <b>p35</b> Ø3.5x10 mm	5x  <b>p38</b> Ø3.5x16 mm	16x  <b>r15</b> Ø12x10.5 mm #12	16x  <b>r16</b> 20/9	1x  <b>t35</b> 350 mm	2x  <b>w152/1</b> 350/580 mm	2x  <b>w152/2</b> 350/580 mm
1x  <b>n26</b>	4x  <b>s34</b> Ø12							

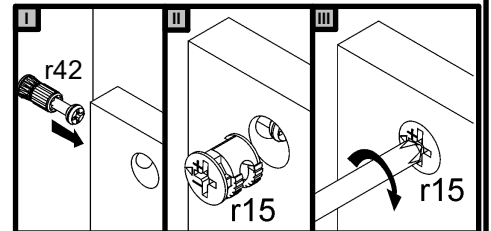
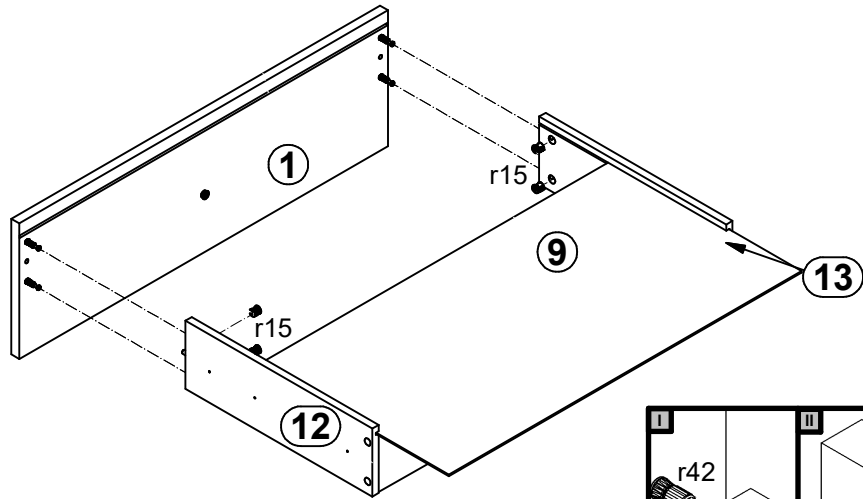
1 



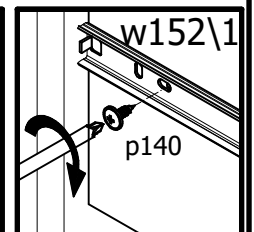
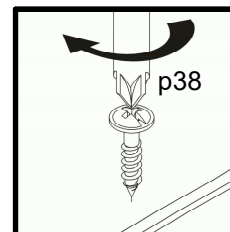
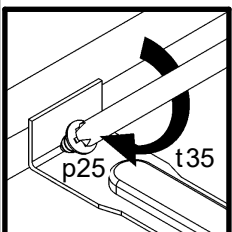
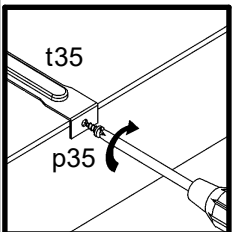
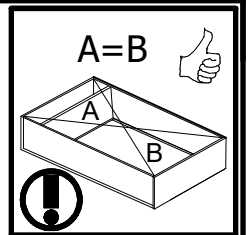
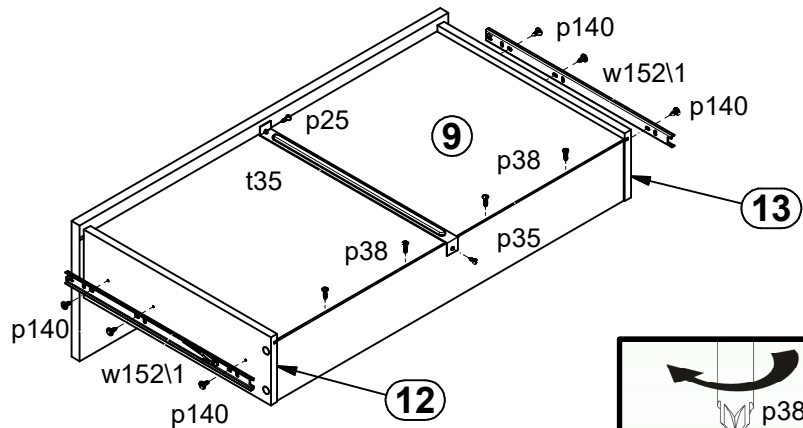
# 2

# 3

# 4



# 8

