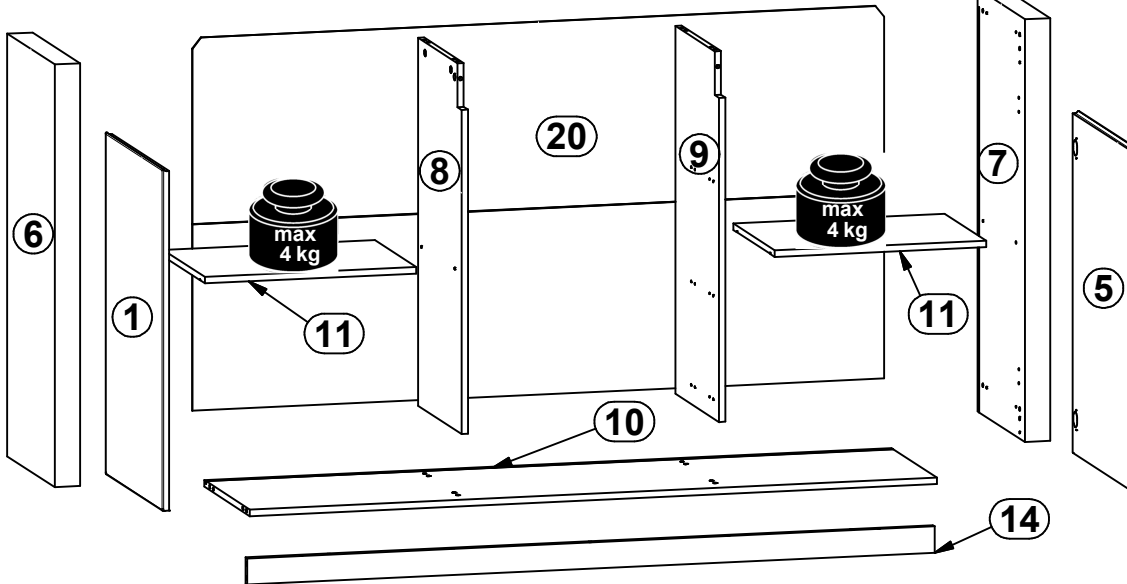
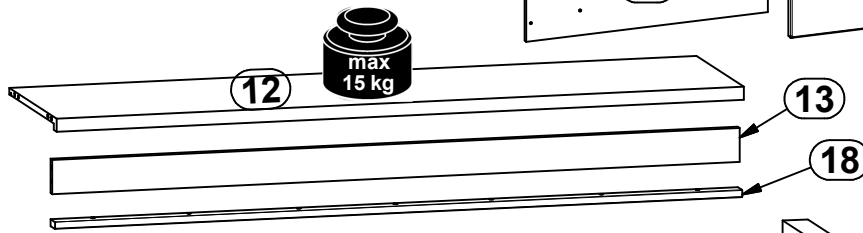
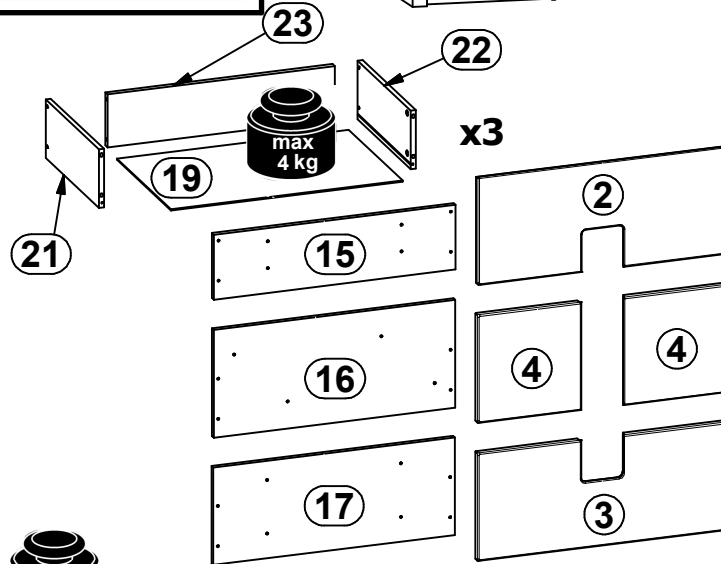
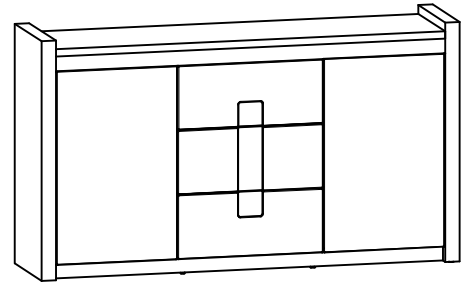
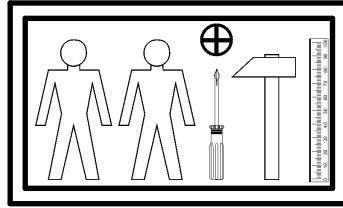
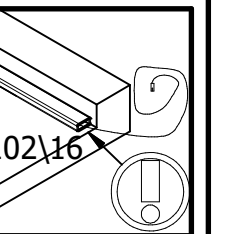
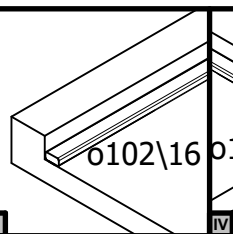
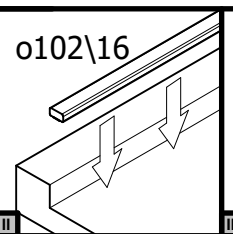
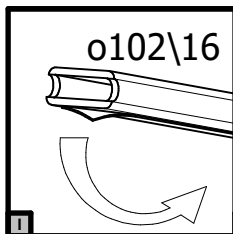
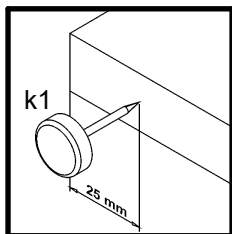
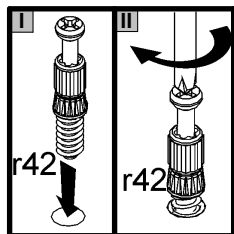
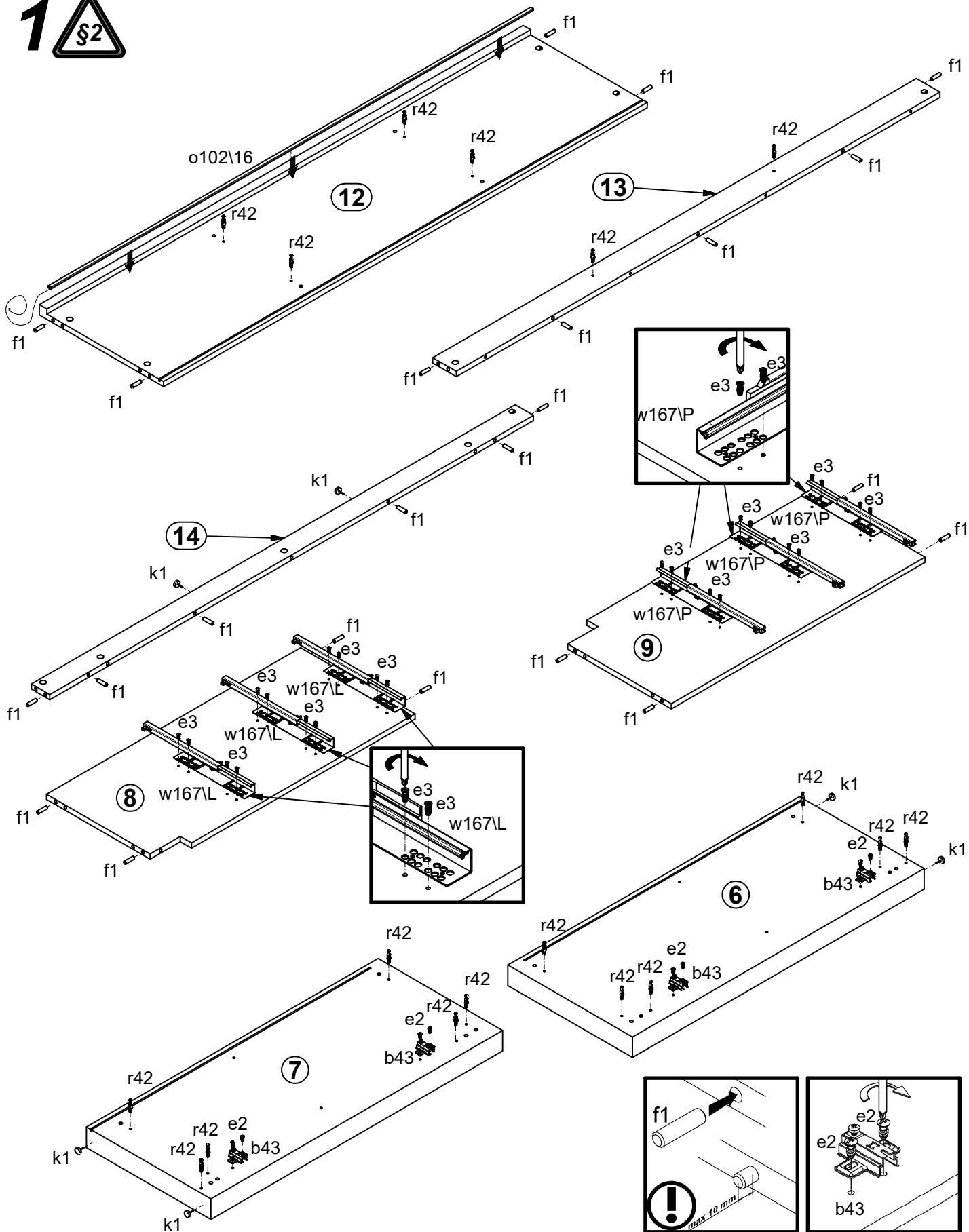


A	B	C	D	
1	S420-0001	780	496	3/3
2	S420-0002	596	258	3/3
3	S420-0003	596	258	3/3
4	S420-0004	248	258	3/3
5	S420-0006	780	496	3/3
6	S420-1001	965	412	1/3
7	S420-1002	965	412	1/3
8	S420-1003	840	379	2/3
9	S420-1004	840	379	2/3
10	S420-3001	1600	395	2/3
11	S420-3002	492	359	2/3
12	S420-3003	1600	411	2/3
13	S420-4001	1600	78	2/3
14	S420-4003	1600	60	2/3
15	S420-4016	578	155	3/3
16	S420-4017	578	258	3/3
17	S420-4018	578	233	3/3
18	S420-5002	1600	37	2/3
19	S420-9002	554	355	1/3
20	S420-9302	1610	851	2/3
21	ZQ6-511	350	140	1/3
22	ZQ6-512	350	140	1/3
23	ZQ6-5024	544	127	1/3

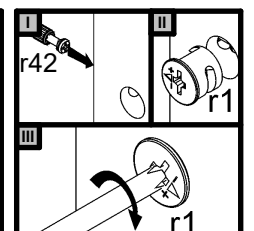
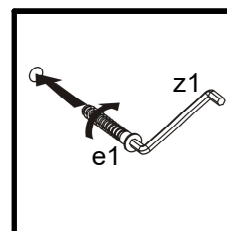
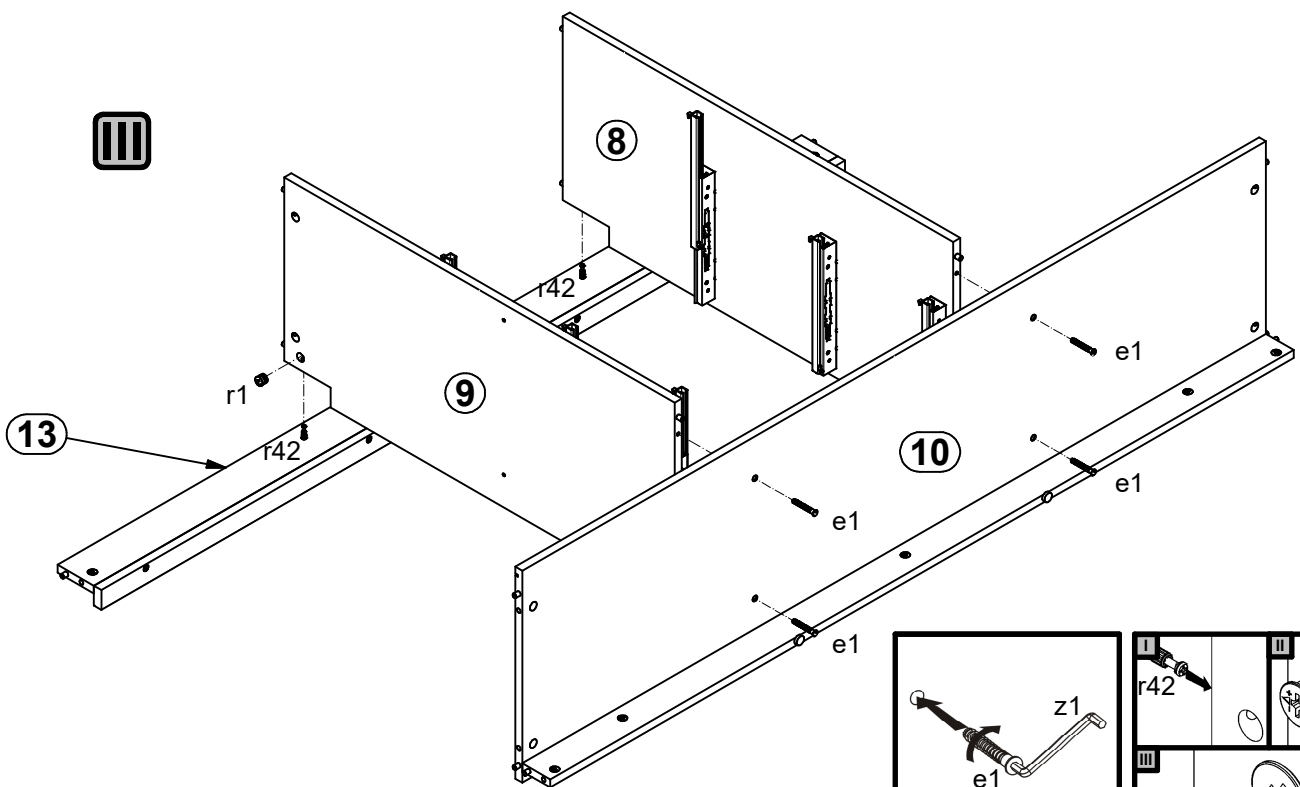
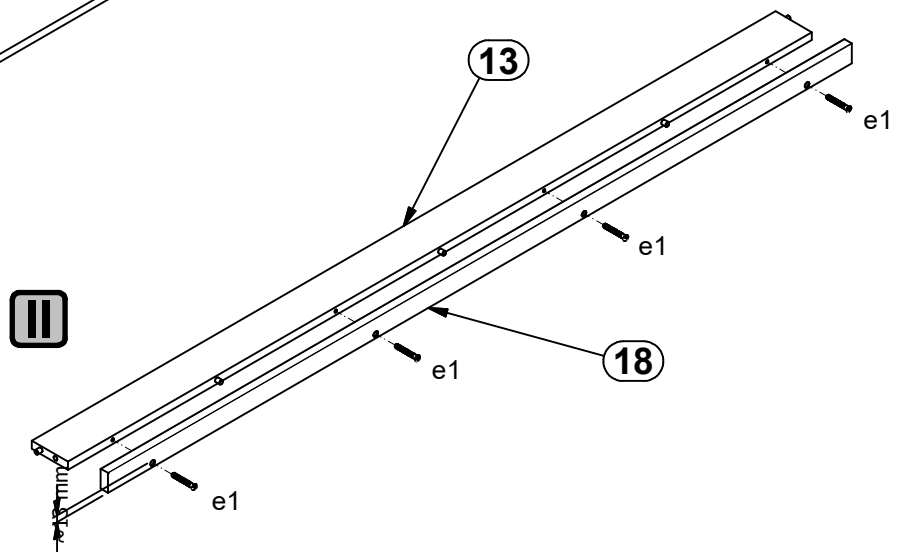
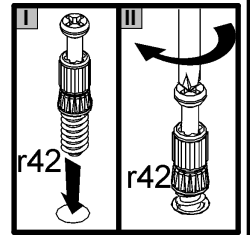
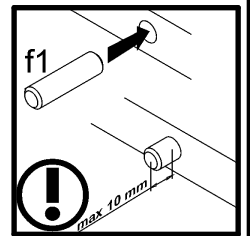
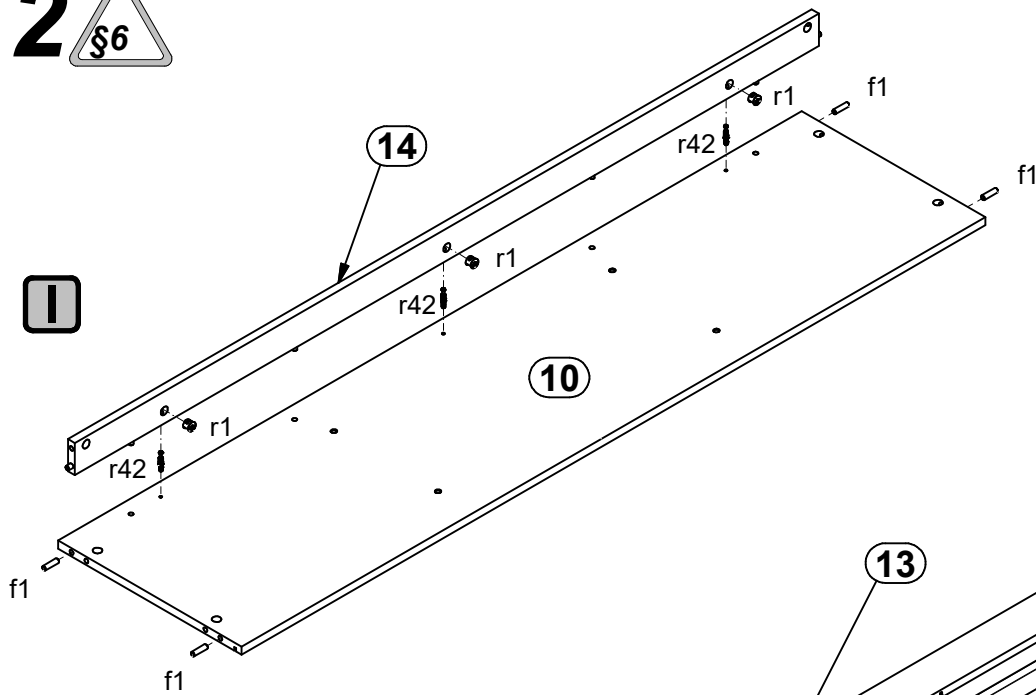


2x  a133	4x  a160	4x  b43	8x  d1 Ø5x17 mm	8x  e1 Ø7x50 mm	8x  e2 Ø6,3x13 mm	24x  e3 Ø6x13 mm	27x  f1 Ø8x30 mm	12x  f25 Ø6,5x40 mm
6x  k1 Ø3,5x15 mm	10x  l2 Ø2,9x16 mm	1x  o70/9	1x  o83/4 10x18 mm	1x  o102/16 L=1596 mm 5x10 mm	12x  p8 Ø4x25 mm	3x  p25 Ø3,5x16 mm	3x  p35 Ø3,5x10 mm	12x  p38 Ø3,5x16 mm
8x  p51 Ø3,5x15 mm	14x  p55 Ø2,9x16 mm	21x  r1 Ø15x12 mm #16	12x  r15 Ø12x10,5 mm #12	33x  r42 20/11	3x  t35 350 mm	3x  w167L 350mm	3x  w167P 350mm	
4x  s1	1x  z1 4 mm					1x  n26	1x  p38 Ø3,5x16 mm	

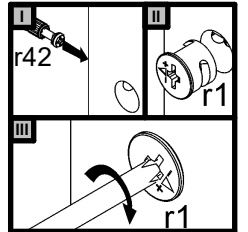
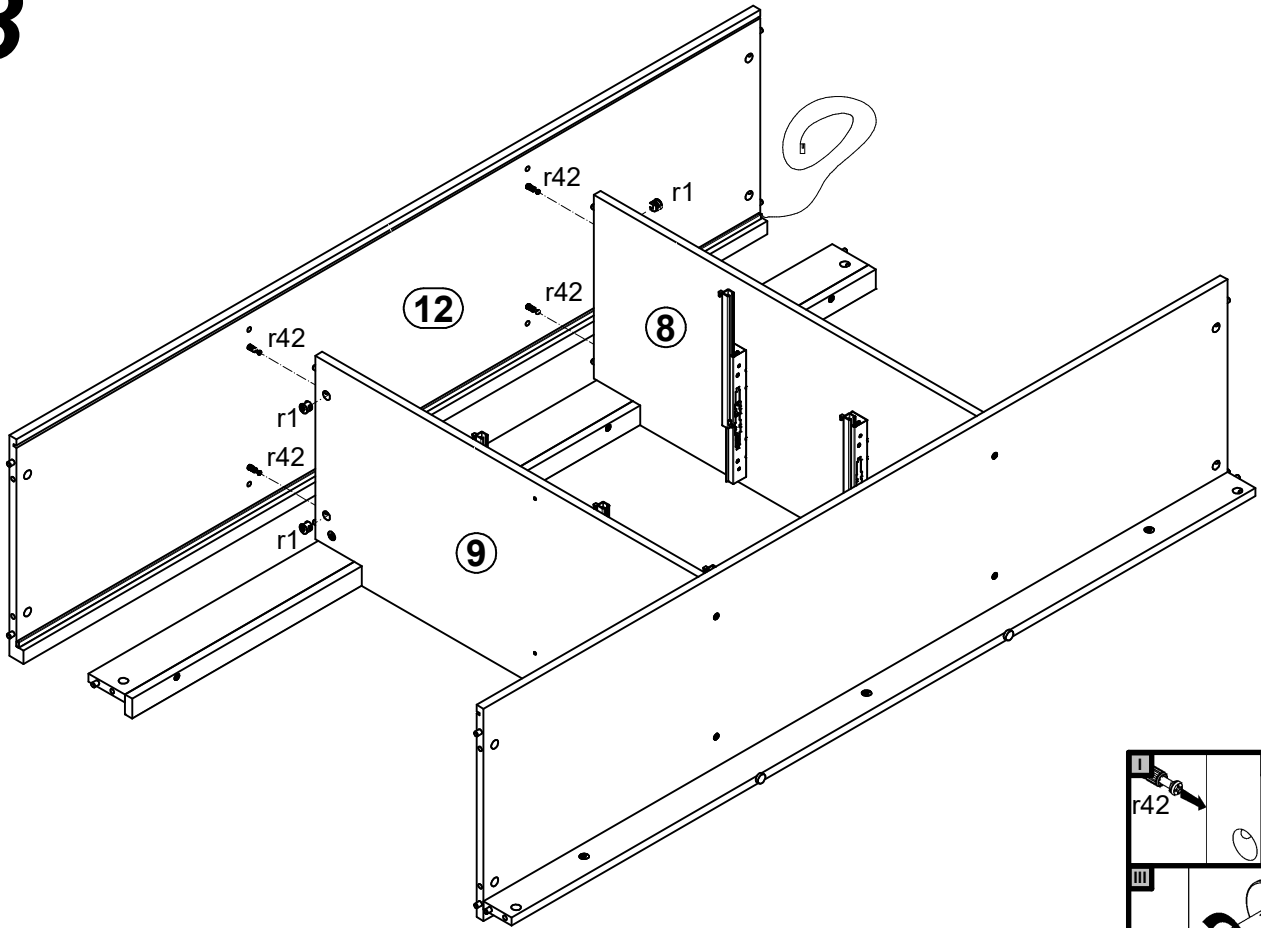
1 



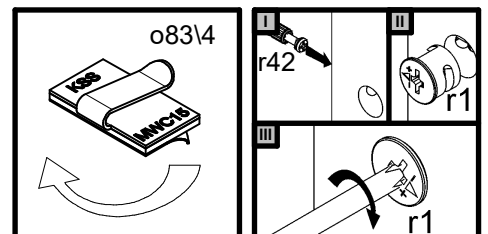
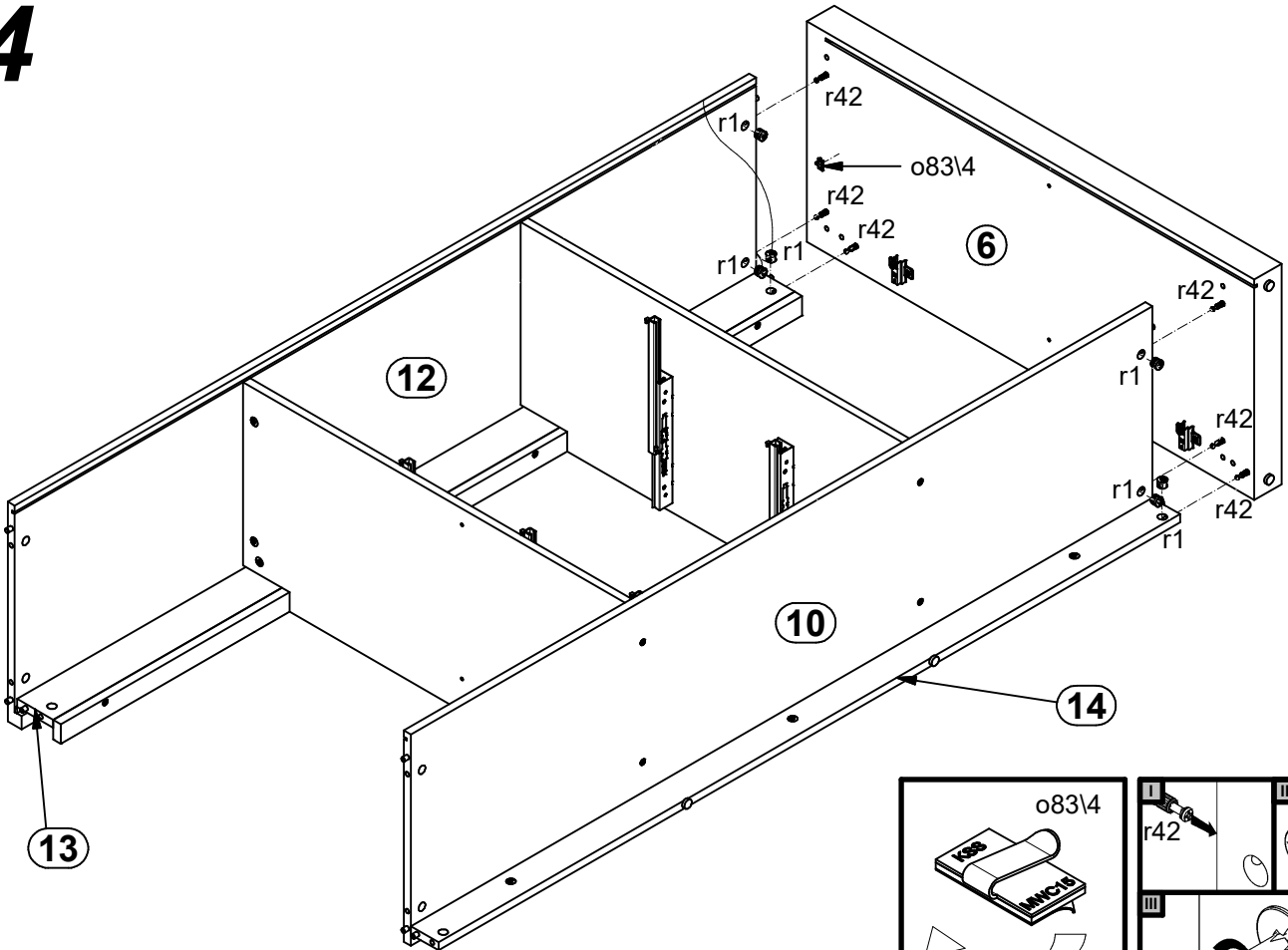
2 



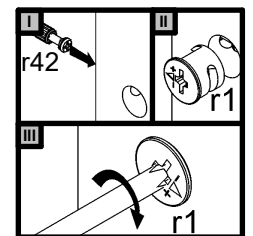
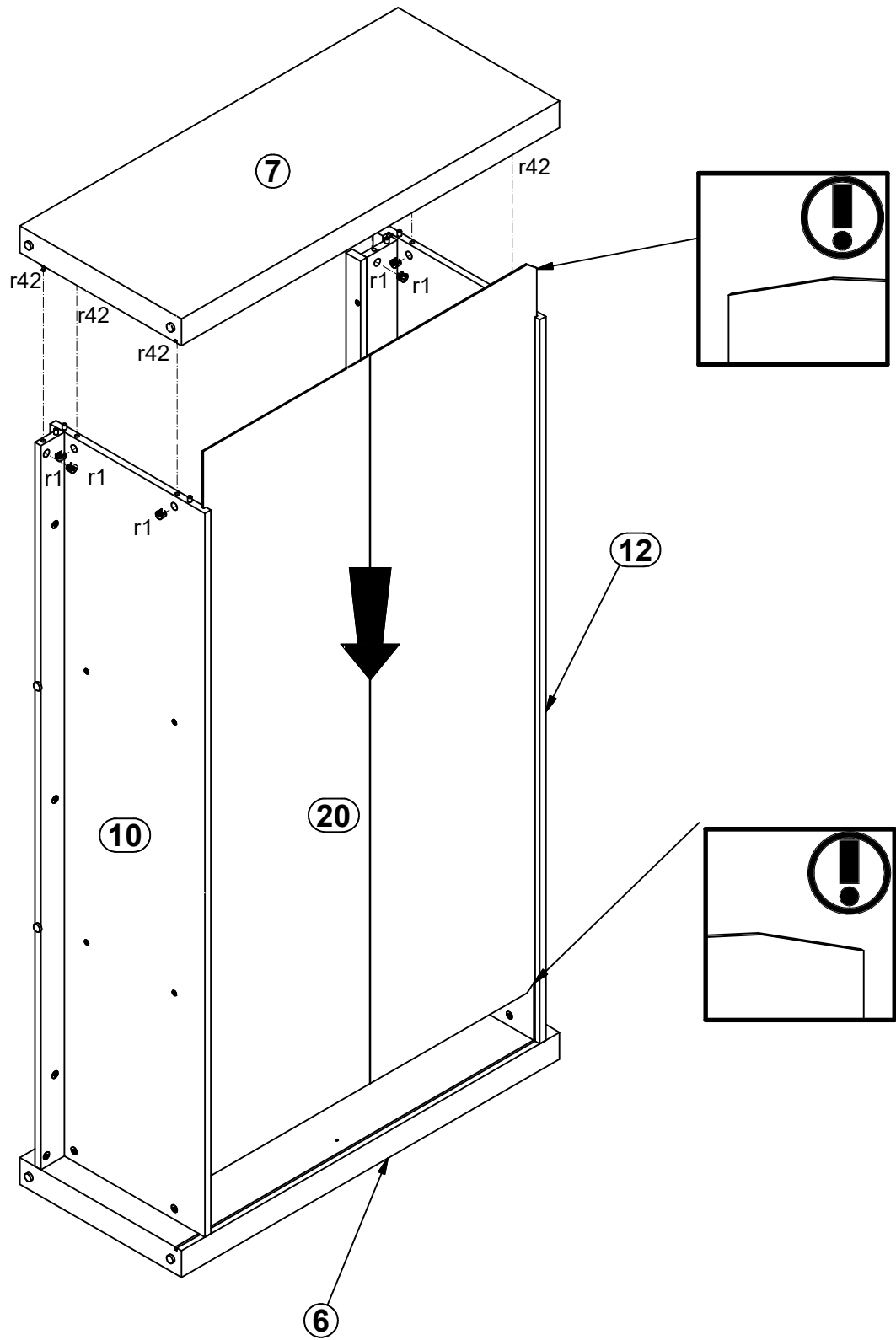
# 3



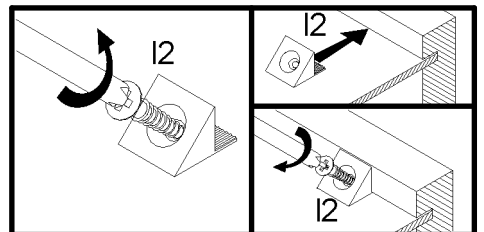
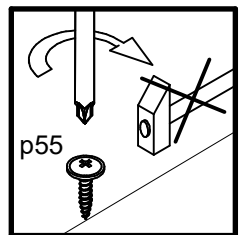
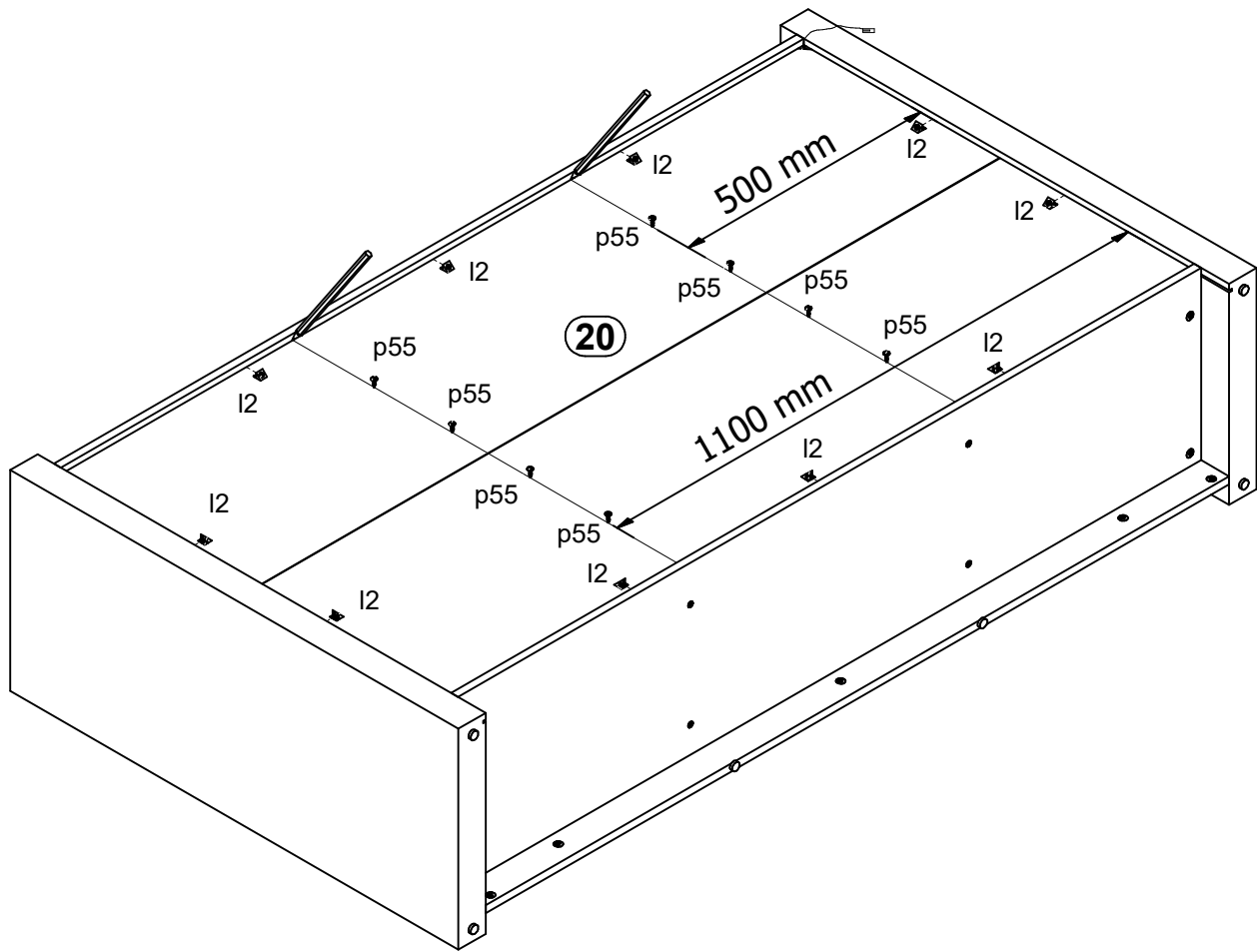
# 4



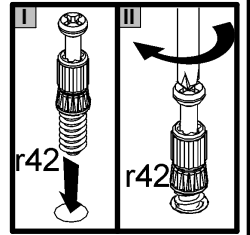
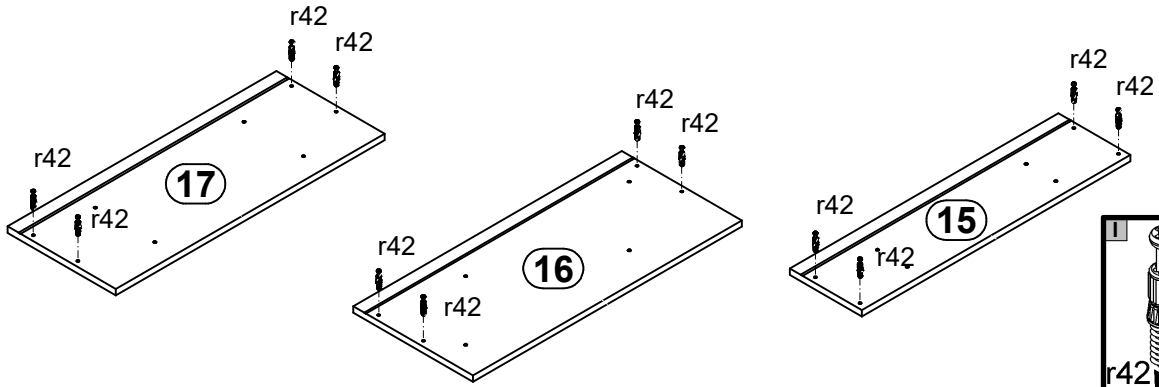
# 5



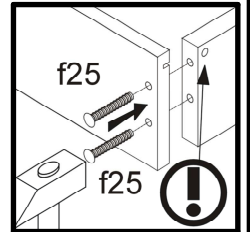
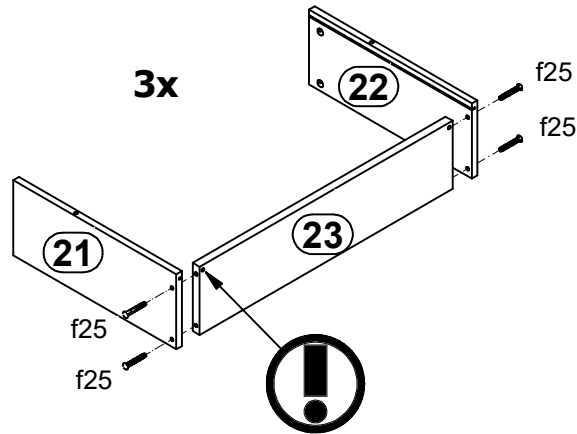
# 6



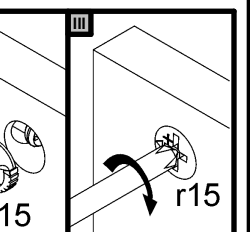
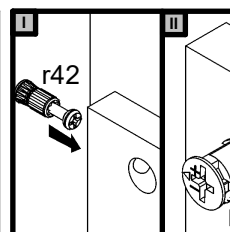
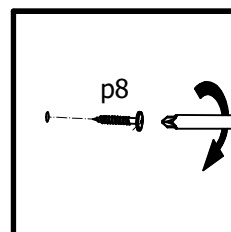
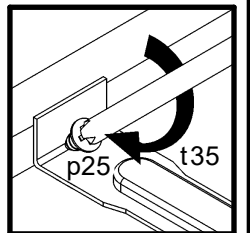
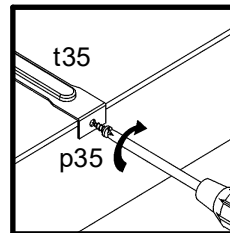
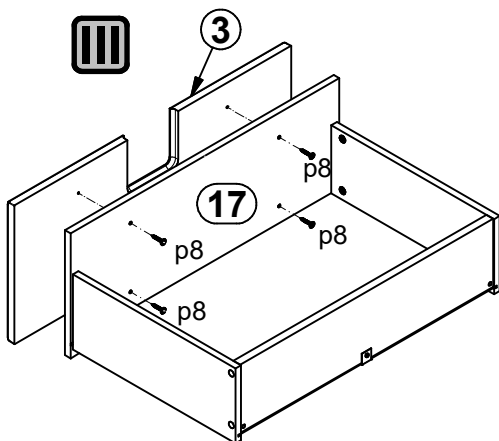
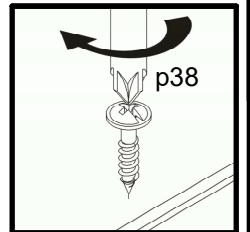
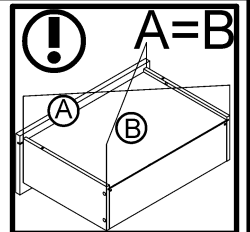
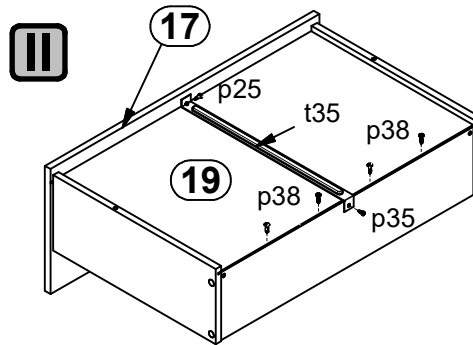
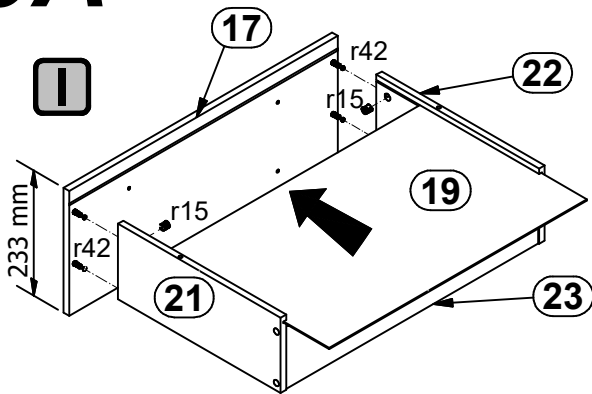
# 7



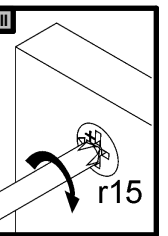
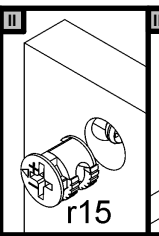
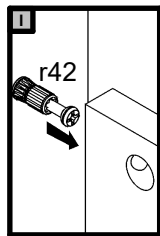
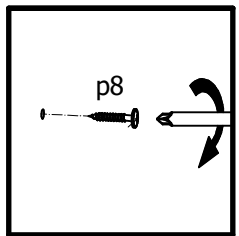
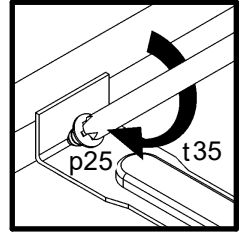
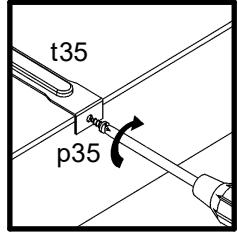
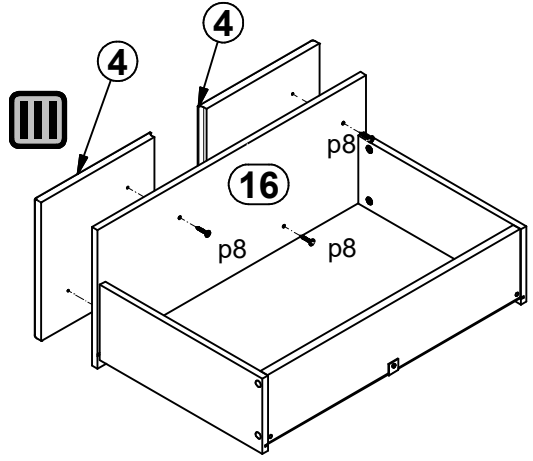
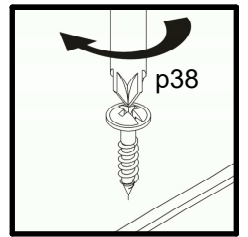
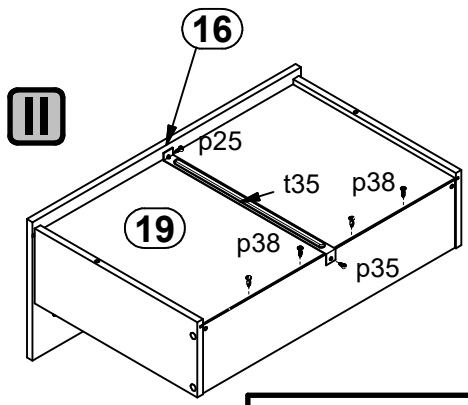
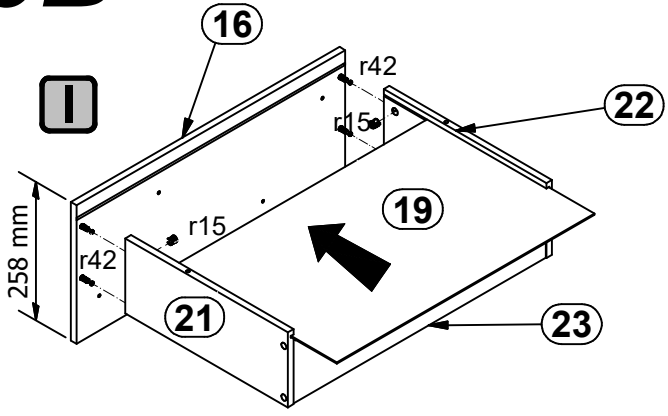
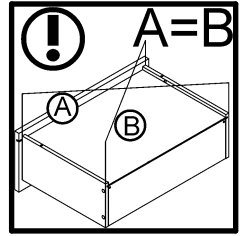
# 8



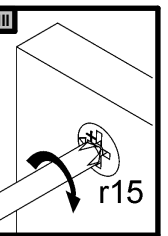
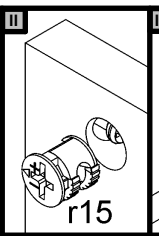
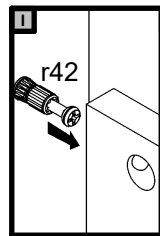
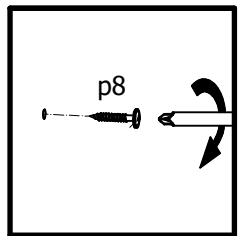
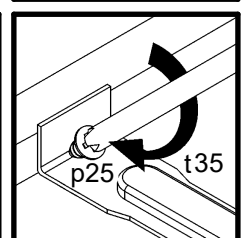
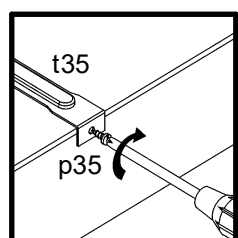
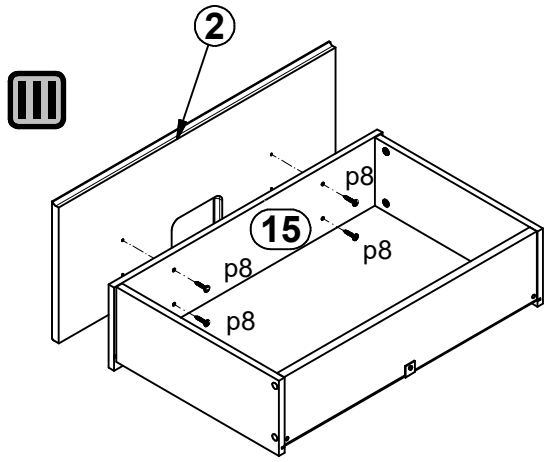
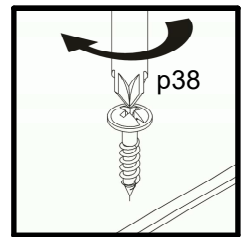
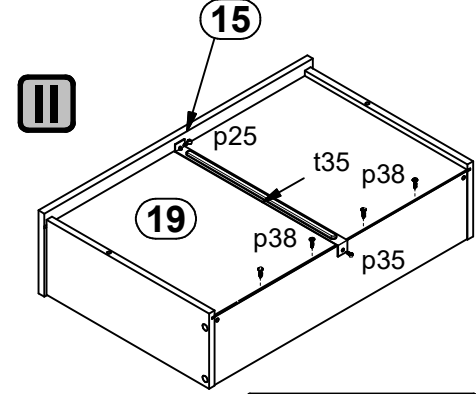
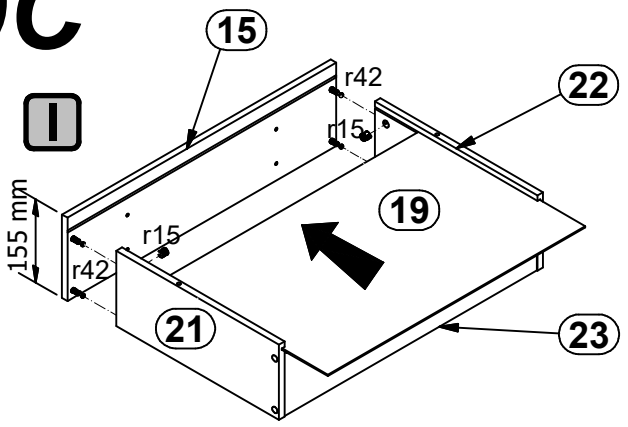
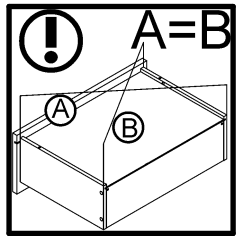
# 9A



# 9B

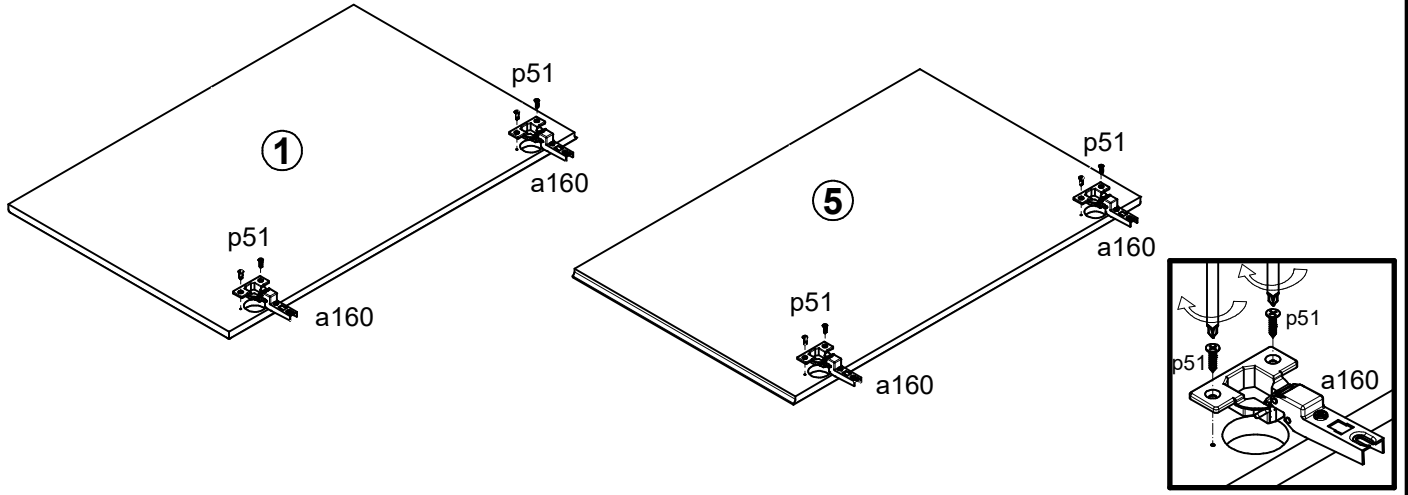


# 9C

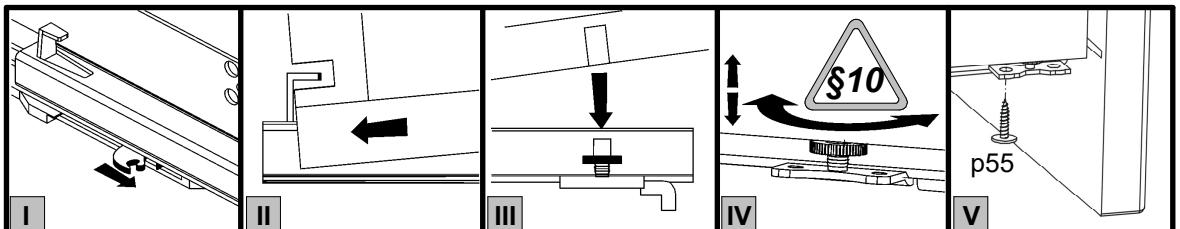
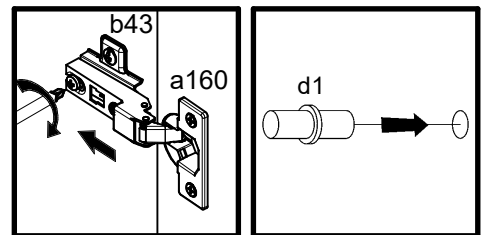
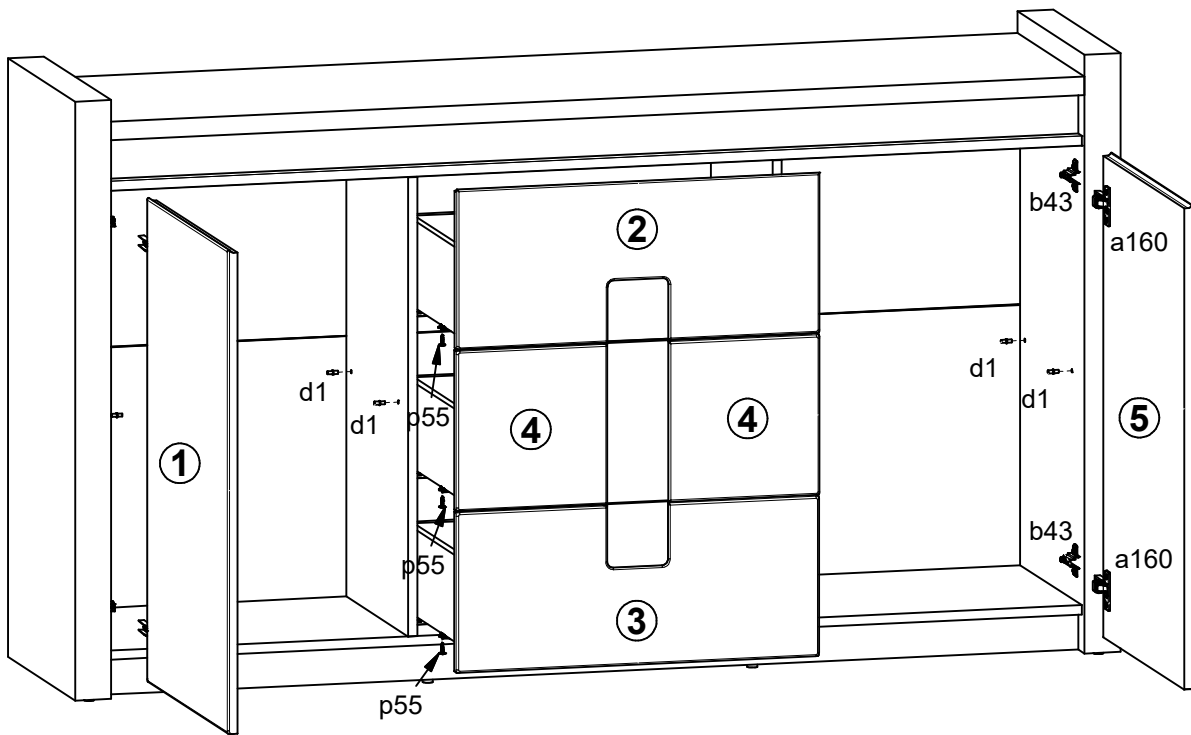




# 10



# 11



# 12

