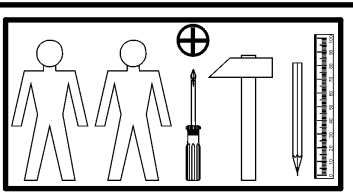
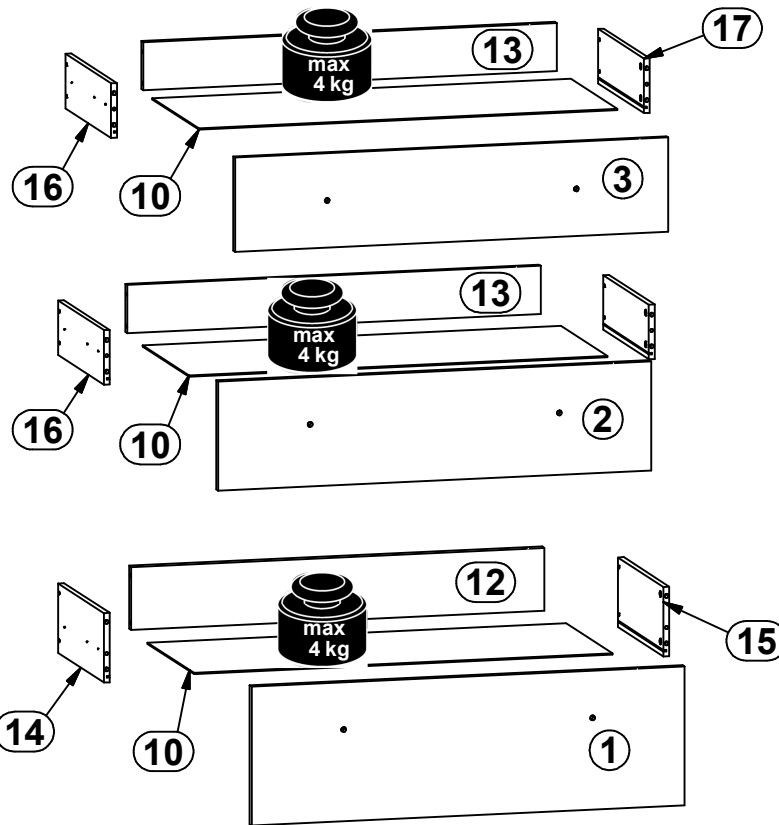
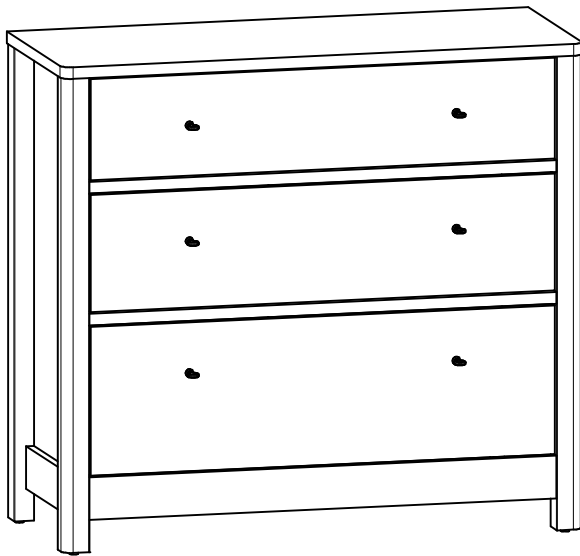
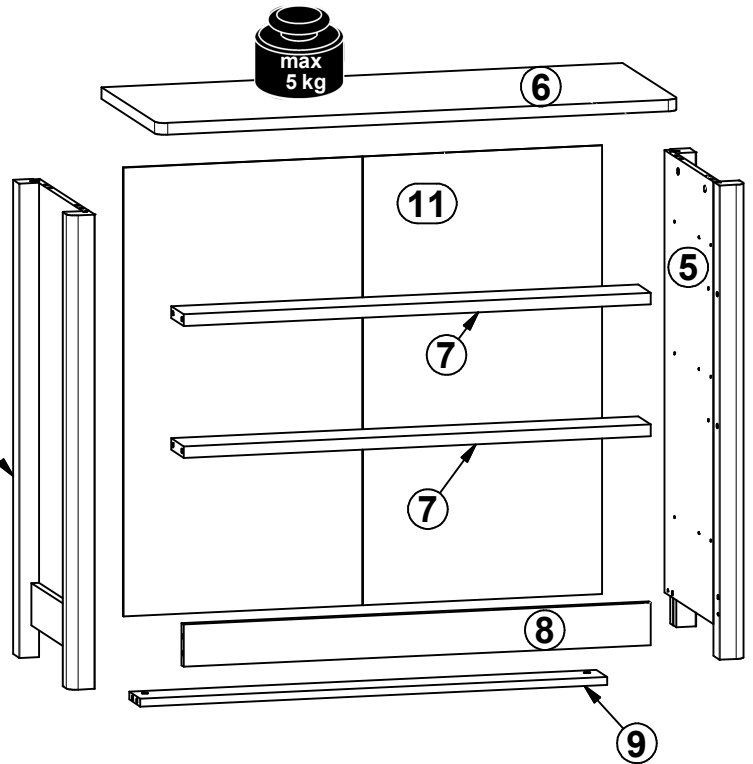
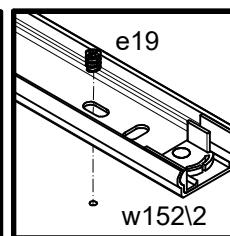
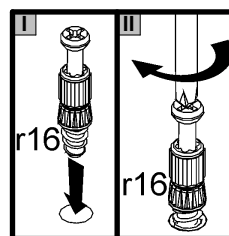
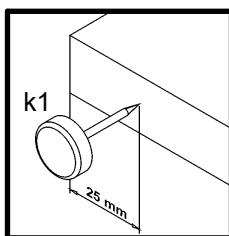
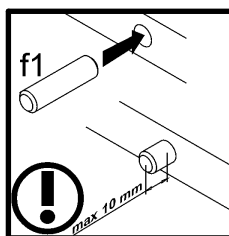
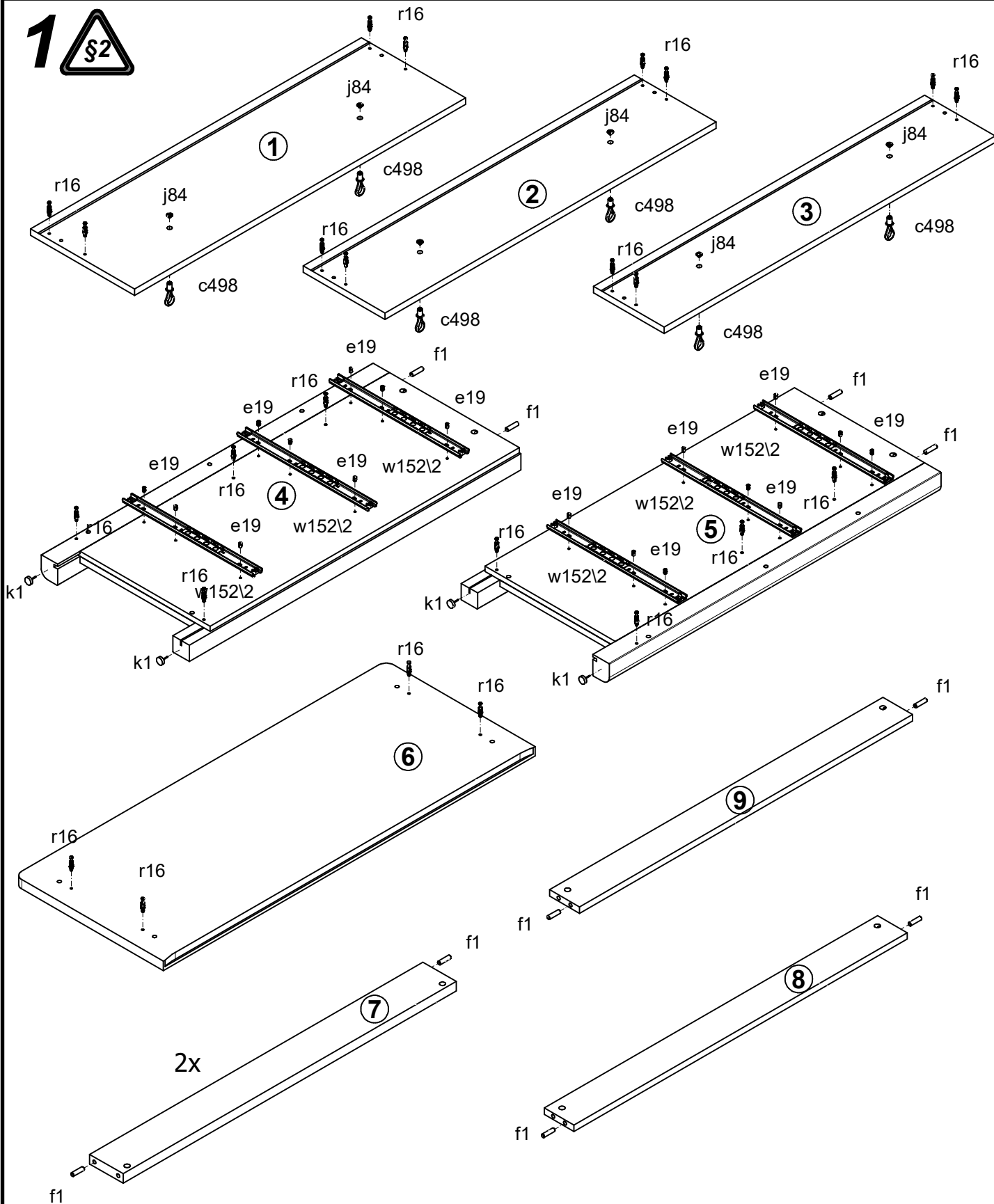


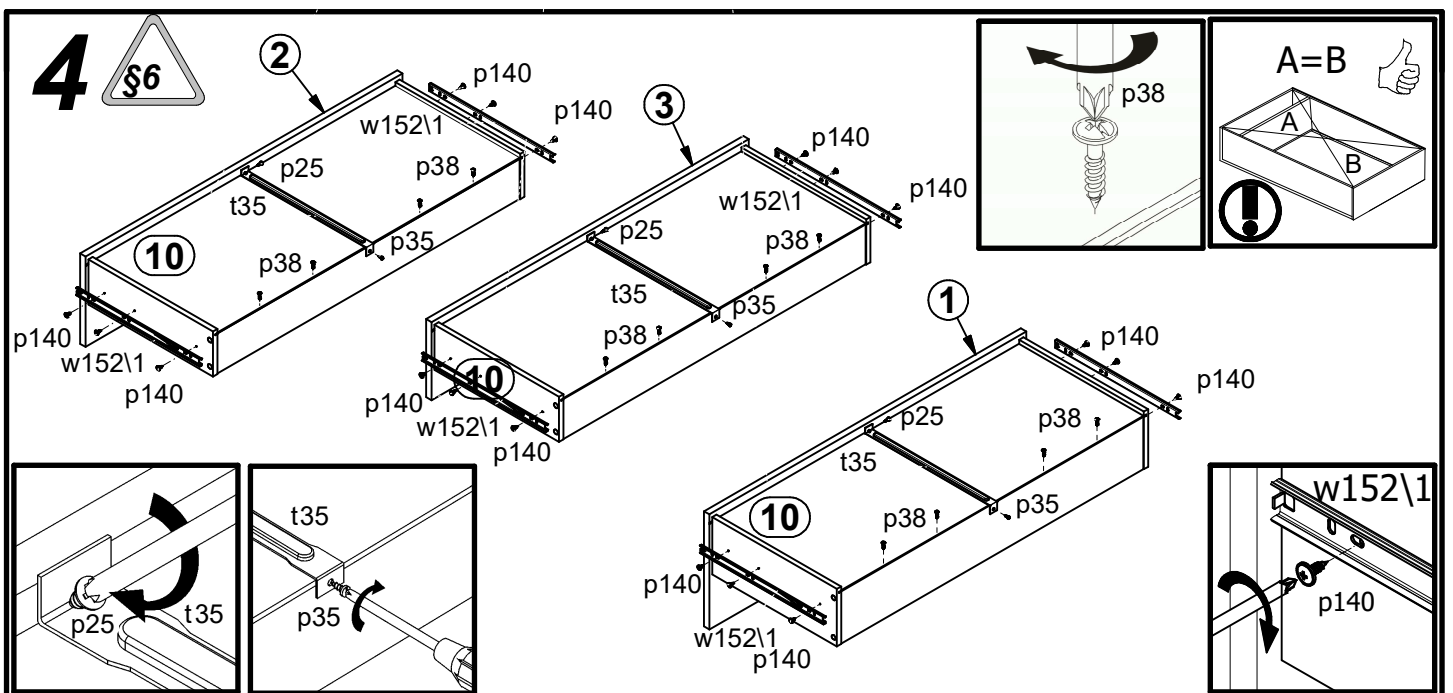
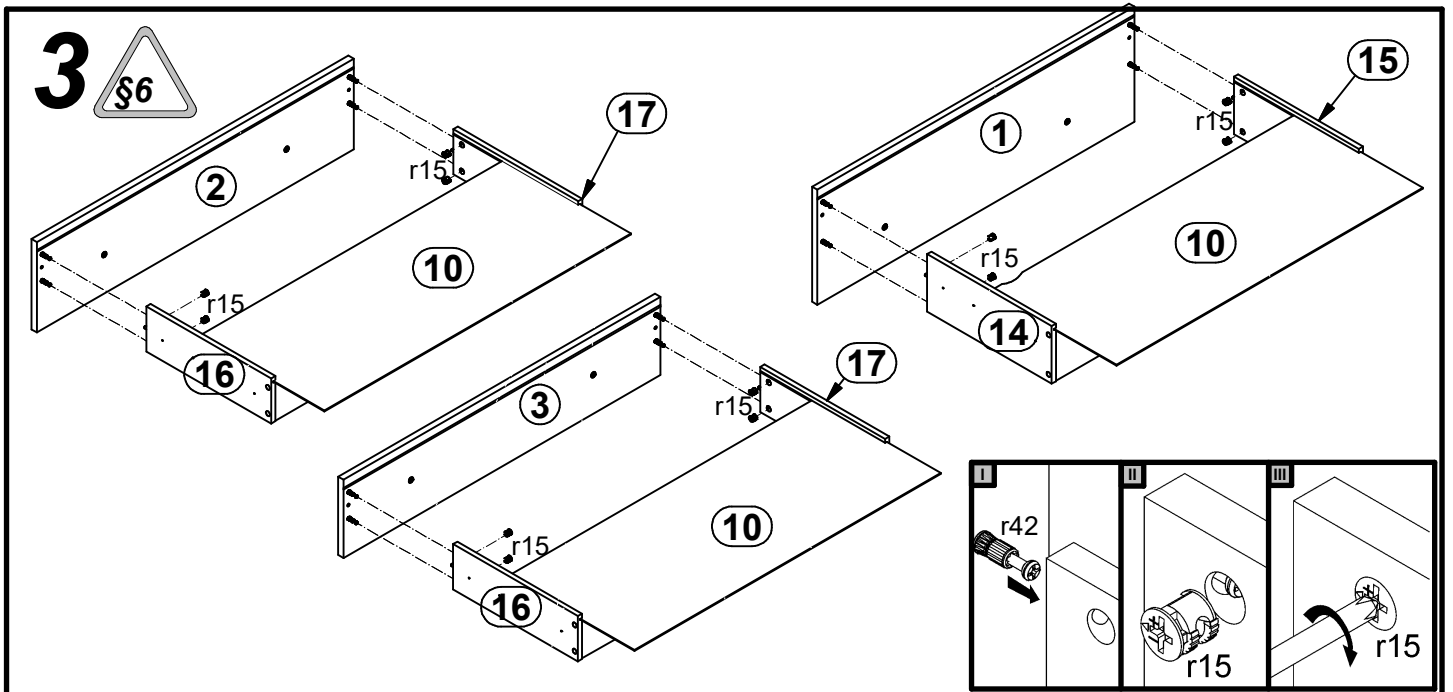
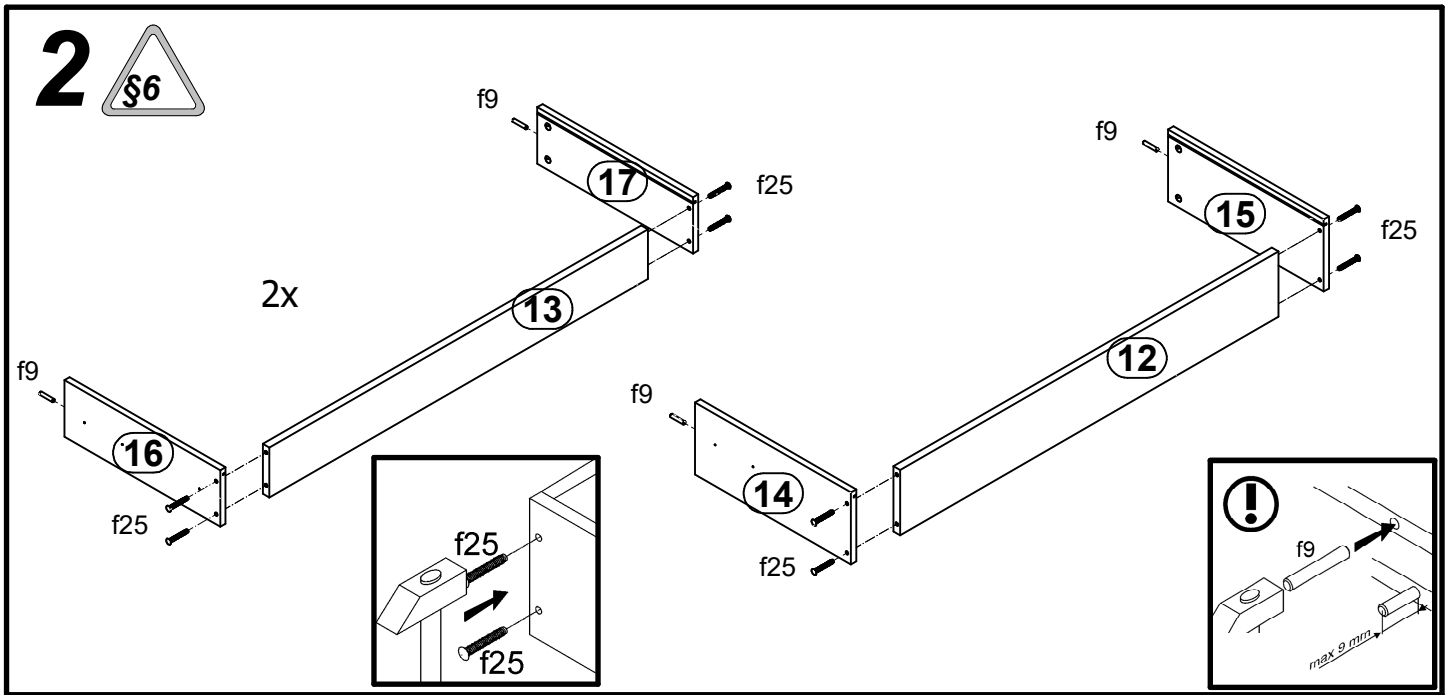
A	B	C	D
1	S401-0002	890	280 2/2
2	S401-0003	890	220 2/2
3	S401-0004	890	190 2/2
4	S401-1001	892	398 1/2
5	S401-1002	892	398 1/2
6	S401-2002	1000	400 1/2
7	S401-4002	896	90 1/2
8	S401-4003	896	80 1/2
9	S401-4005	896	80 1/2
10	S401-9002	860	357 1/2
11	S401-9301	844	918 1/2
12	ZK3-5002	850	127 1/2
13	ZK3-5004	850	97 1/2
14	ZK3-511	350	140 1/2
15	ZK3-512	350	140 1/2
16	ZK3-519	350	110 1/2
17	ZK3-520	350	110 1/2



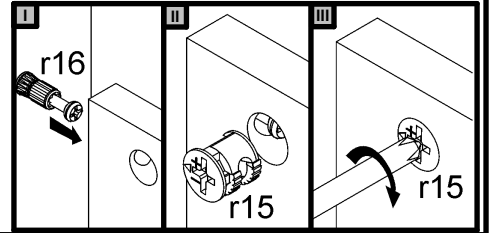
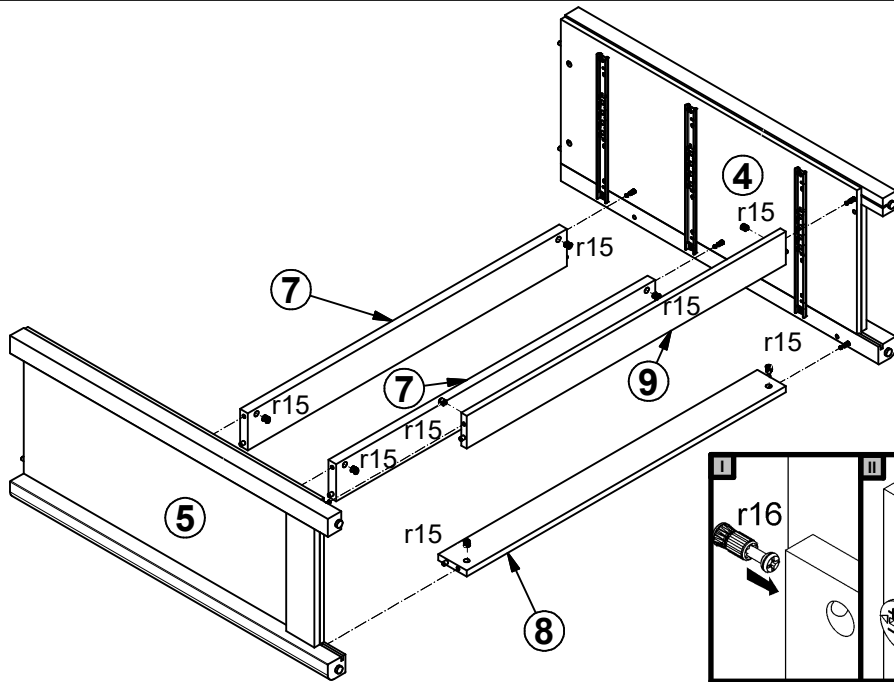
6x c498	18x Ø5x9 mm e19	12x Ø8x30 mm f1	12x Ø6.5x40 mm f25	6x Ø6x30 mm f9	6x M4x5 mm j84	4x k1	35x 1.4x20 mm l1	18x Ø3.5x12 mm p140
3x Ø3.5x16 mm p25	3x Ø3.5x10 mm p35	13x Ø3.5x16 mm p38	24x Ø12x10.5 mm #12 r15	24x 20/9 r16	3x 350 mm t35	6x 350/580 mm w152/1	6x 350/580 mm w152/2	1x n26

1 

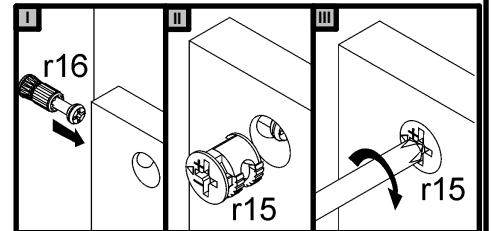
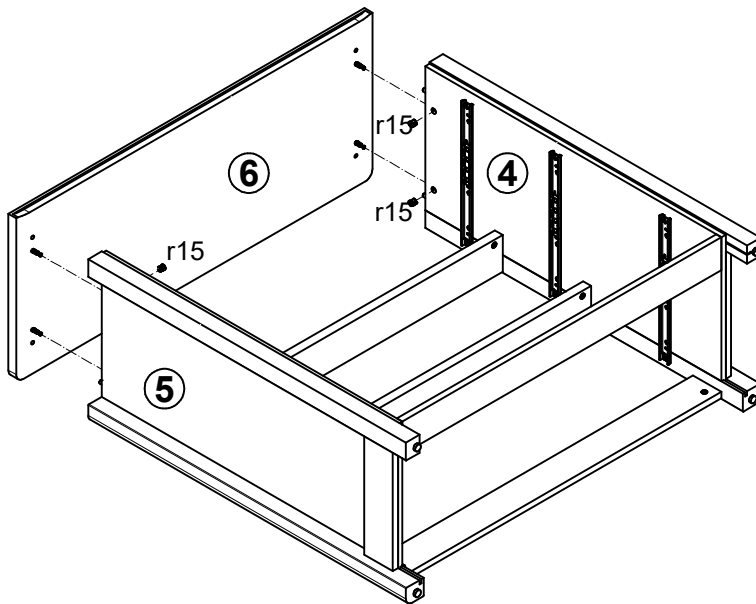




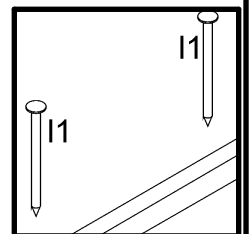
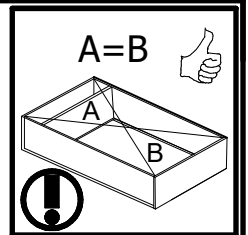
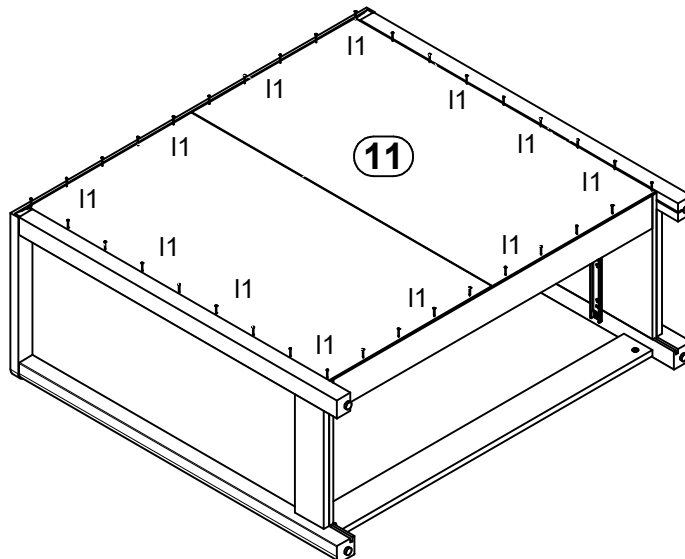
5



6



7



8

