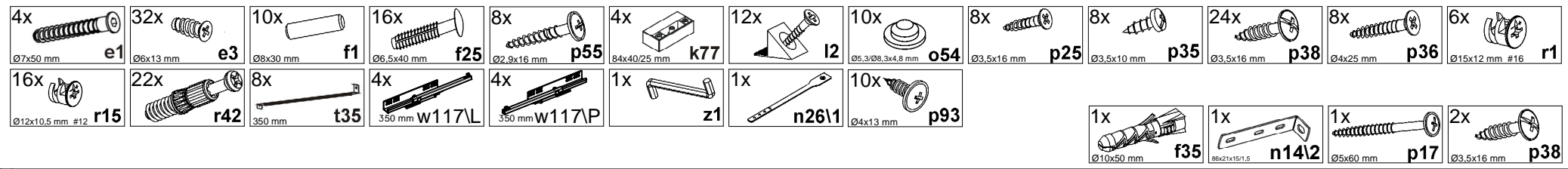
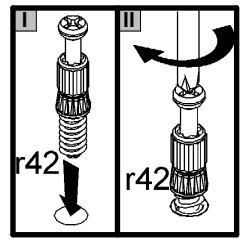
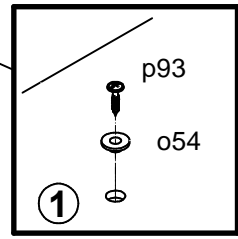
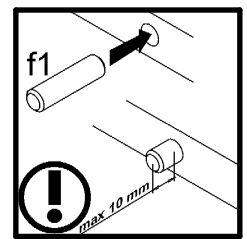
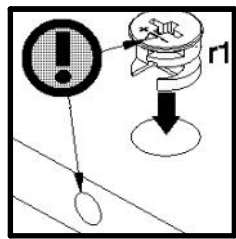
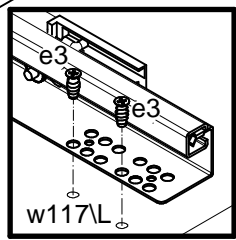
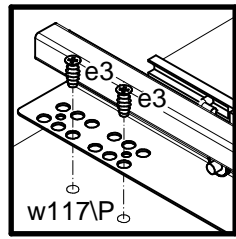
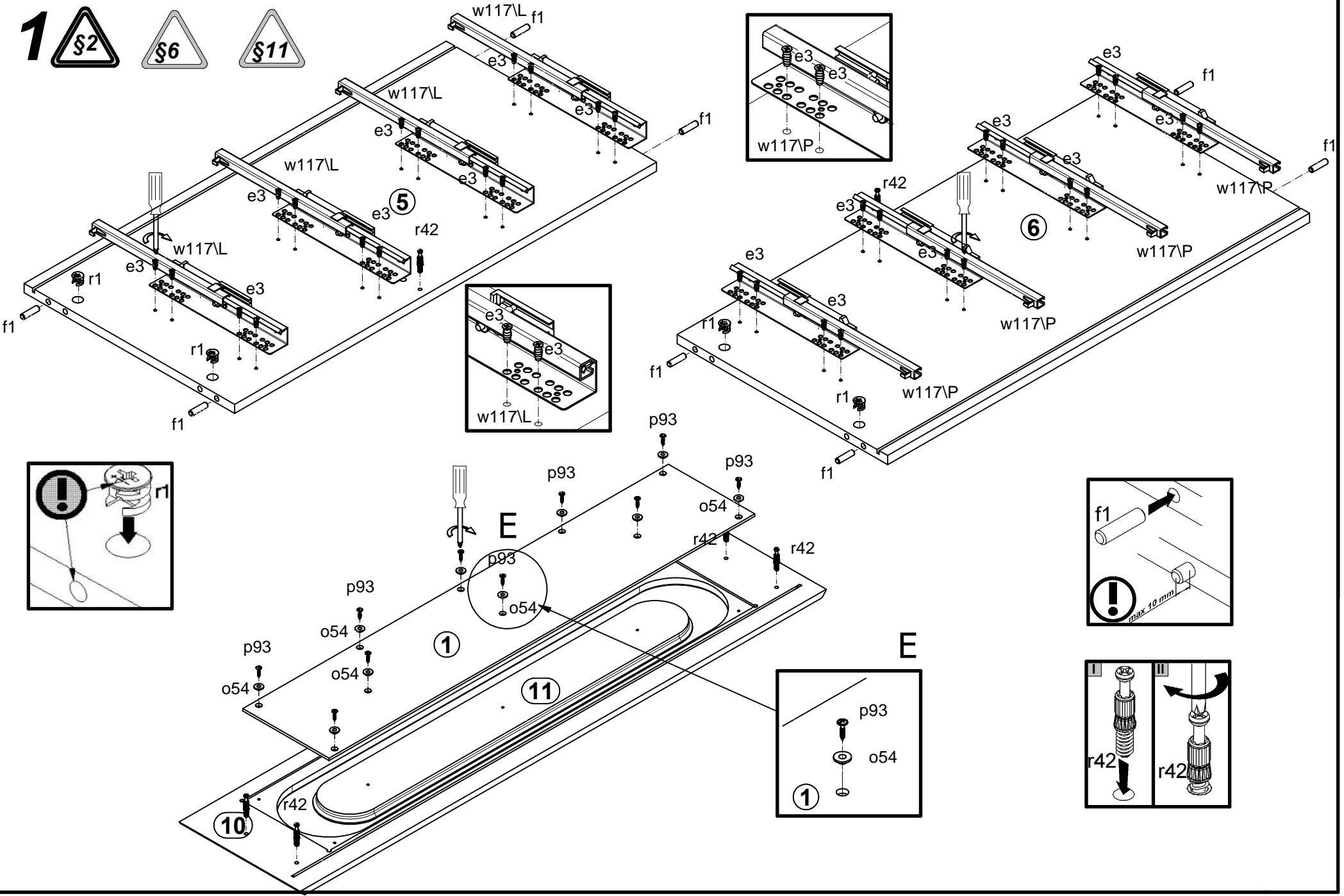
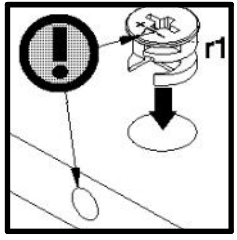
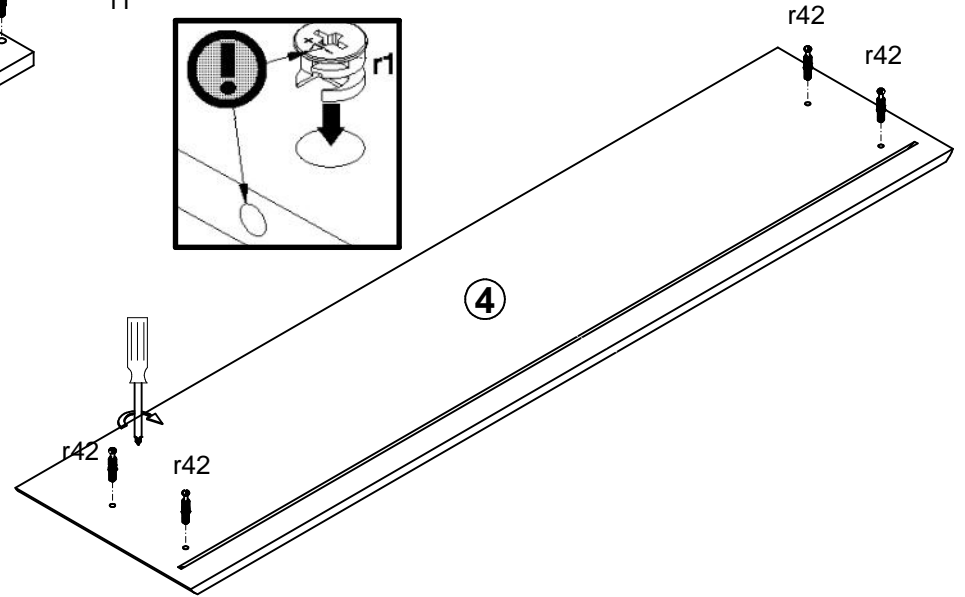
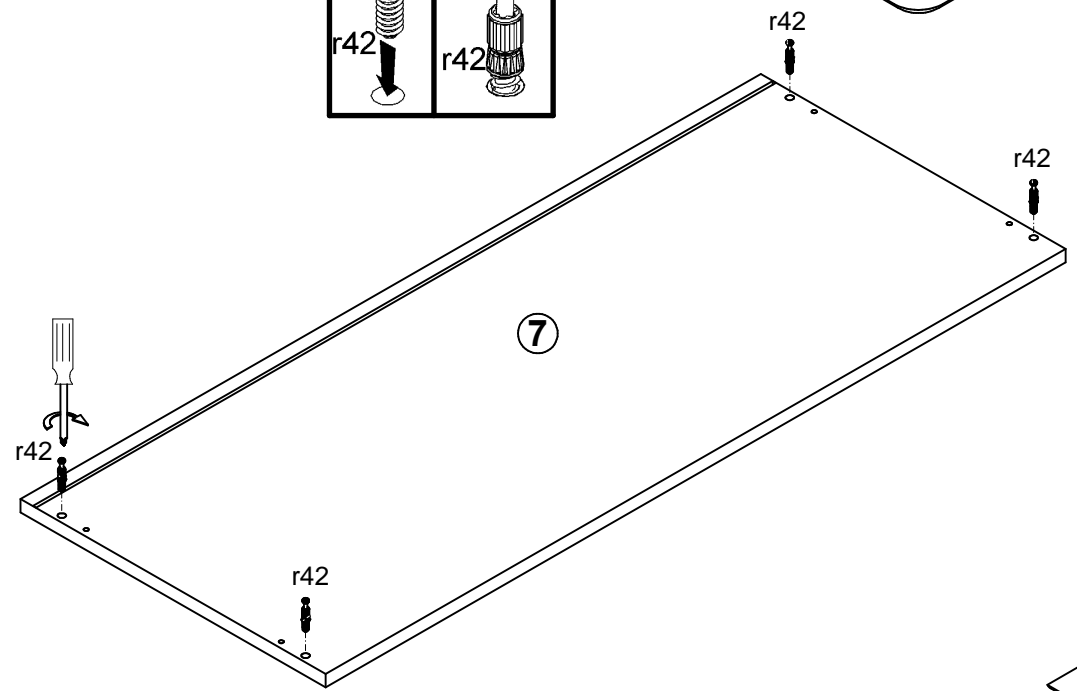
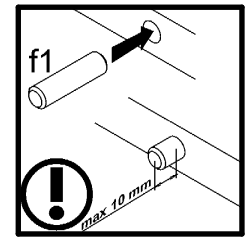
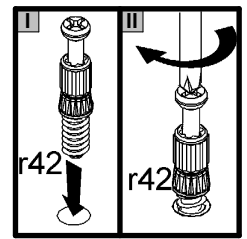
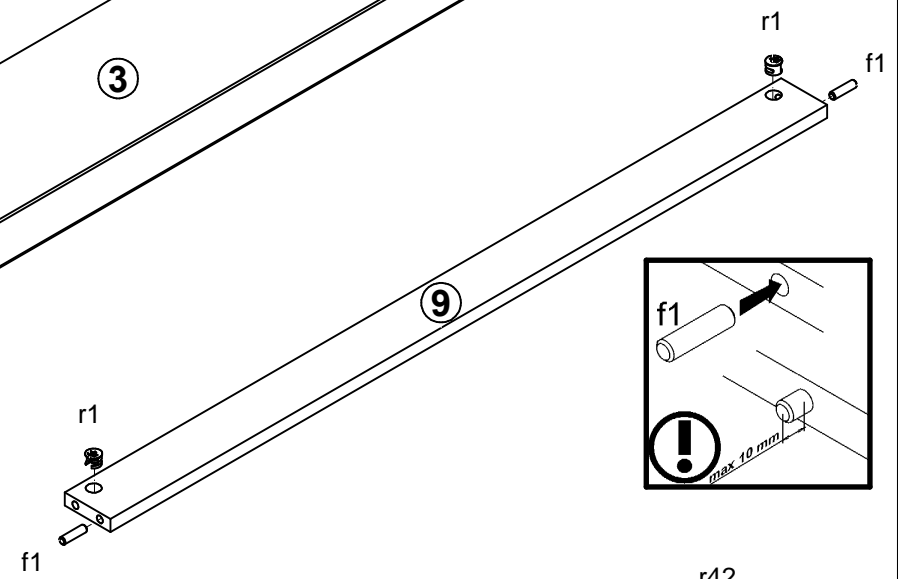
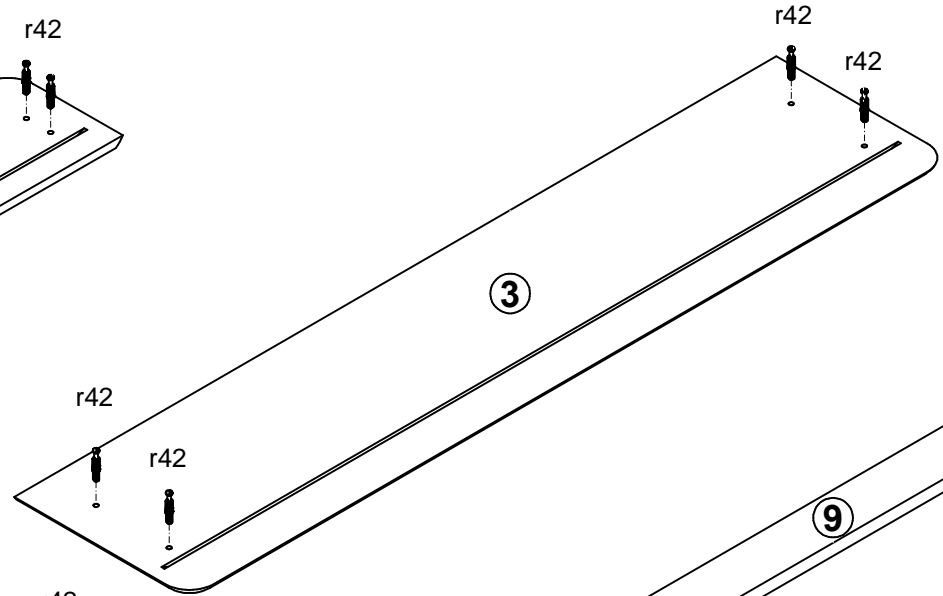
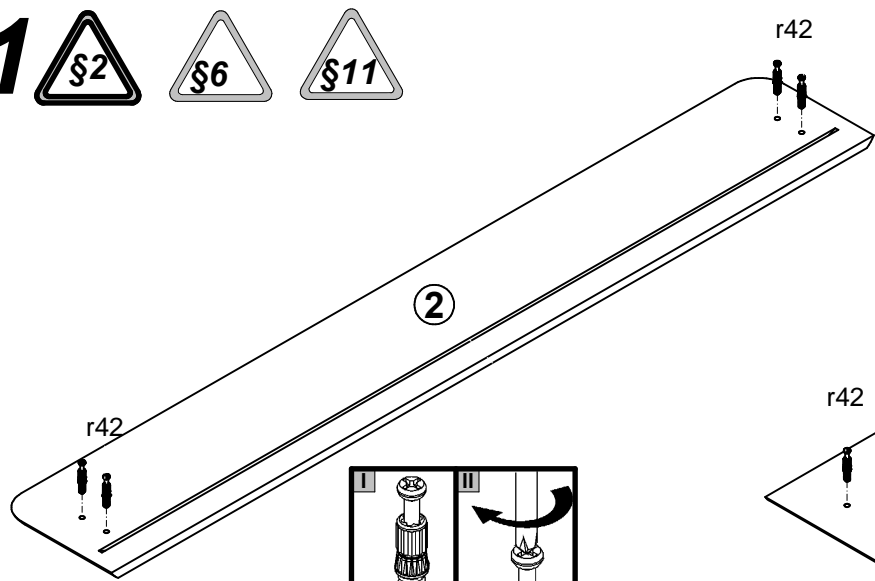


A	B	C (mm)		D
1	S220-5503	809	164,	1/2
2	S506-0002	150	1000	2/2
3	S506-0003	230	1000	2/2
4	S506-0004	230	1000	2/2
5	S506-1004	802	400	1/2
6	S506-1005	802	400	1/2
7	S506-2003	971	400	1/2
8	S506-2004	971	400	1/2
9	S506-4001	940	60	1/2
10	S506-7005	230	1000	2/2
11	S506-7006	100	680	2/2
12	S506-9304	950	813,	1/2
13	WSP-9263	908,	358	1/2
14	ZQ6-5050	900	62	1/2
15	ZQ6-5051	900	127	1/2
16	ZQ6-511	350	140	1/2
17	ZQ6-512	350	140	1/2
18	ZQ6-527	350	75	1/2
19	ZQ6-528	350	75	1/2



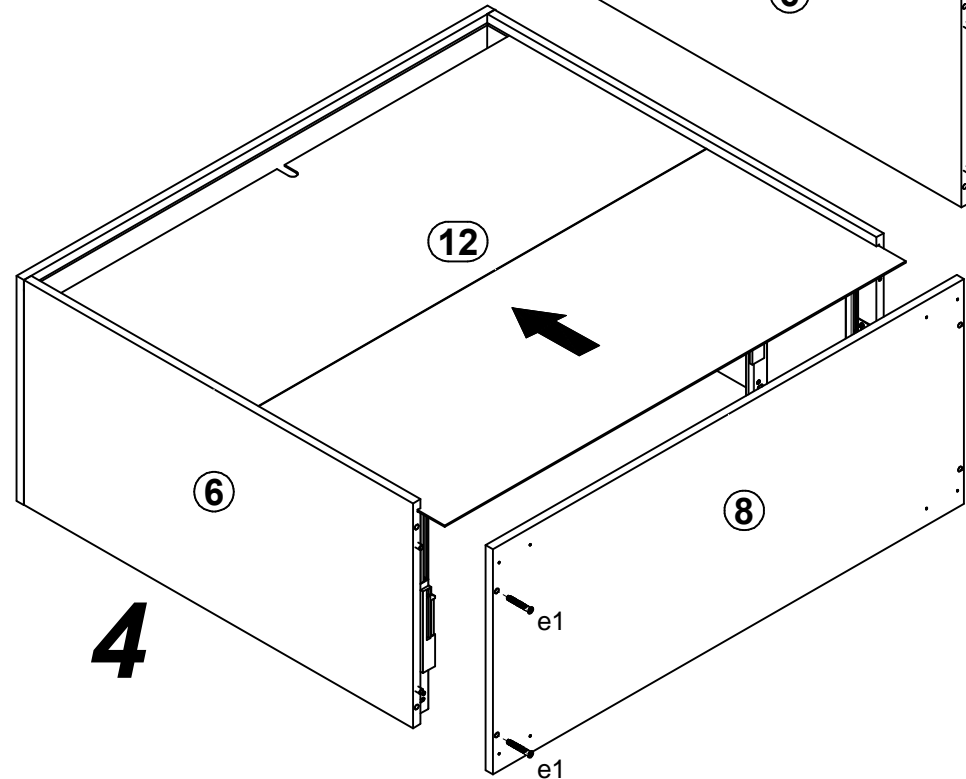
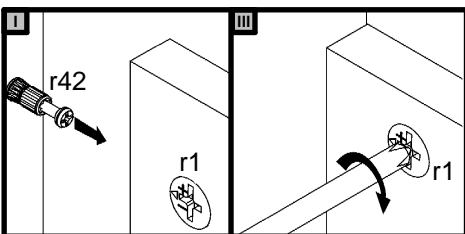
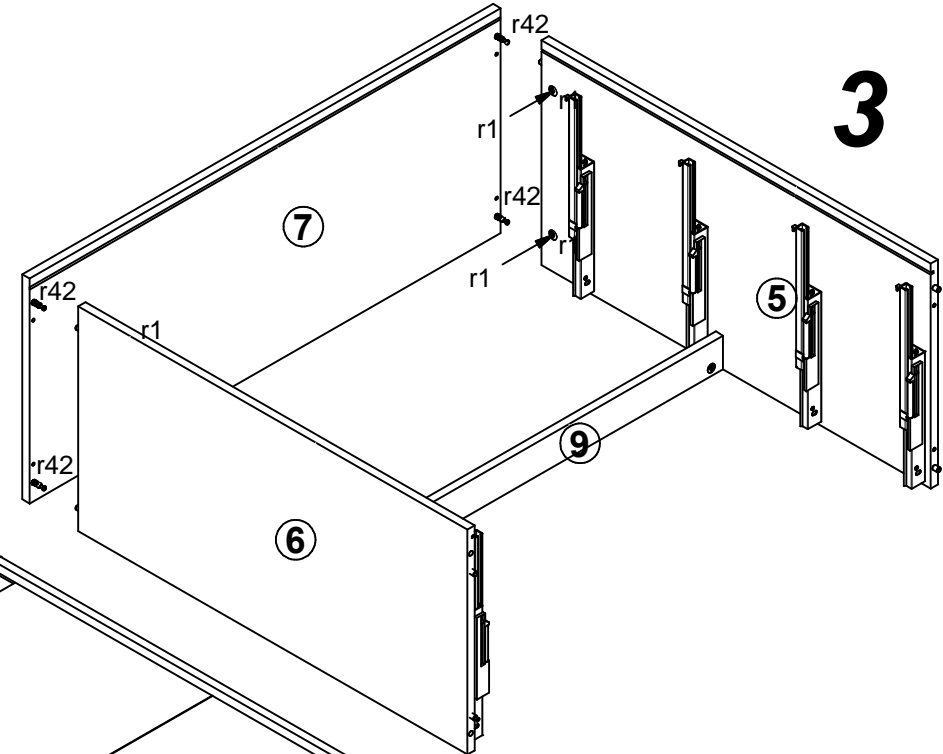
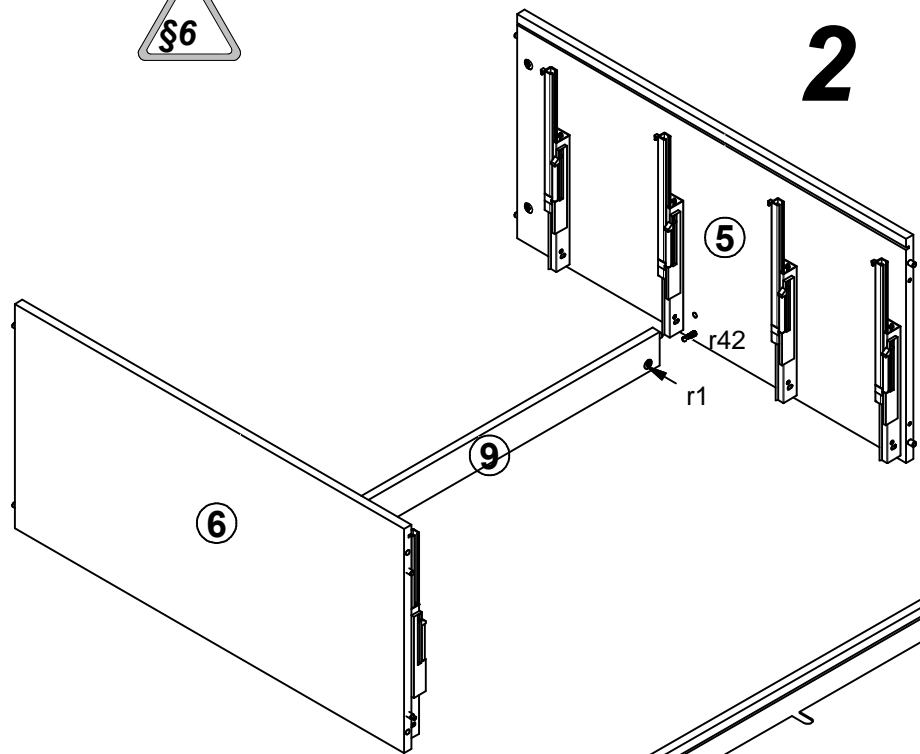




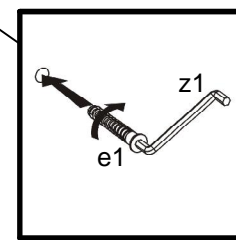


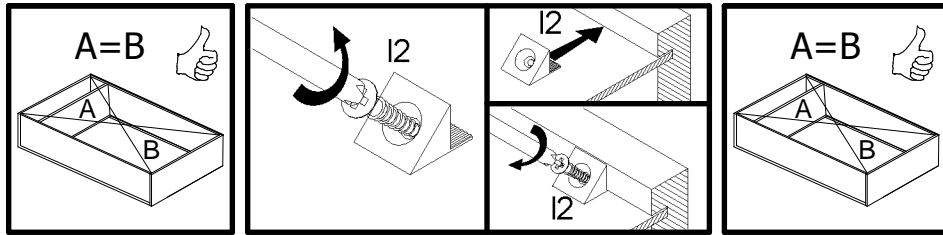
2

3

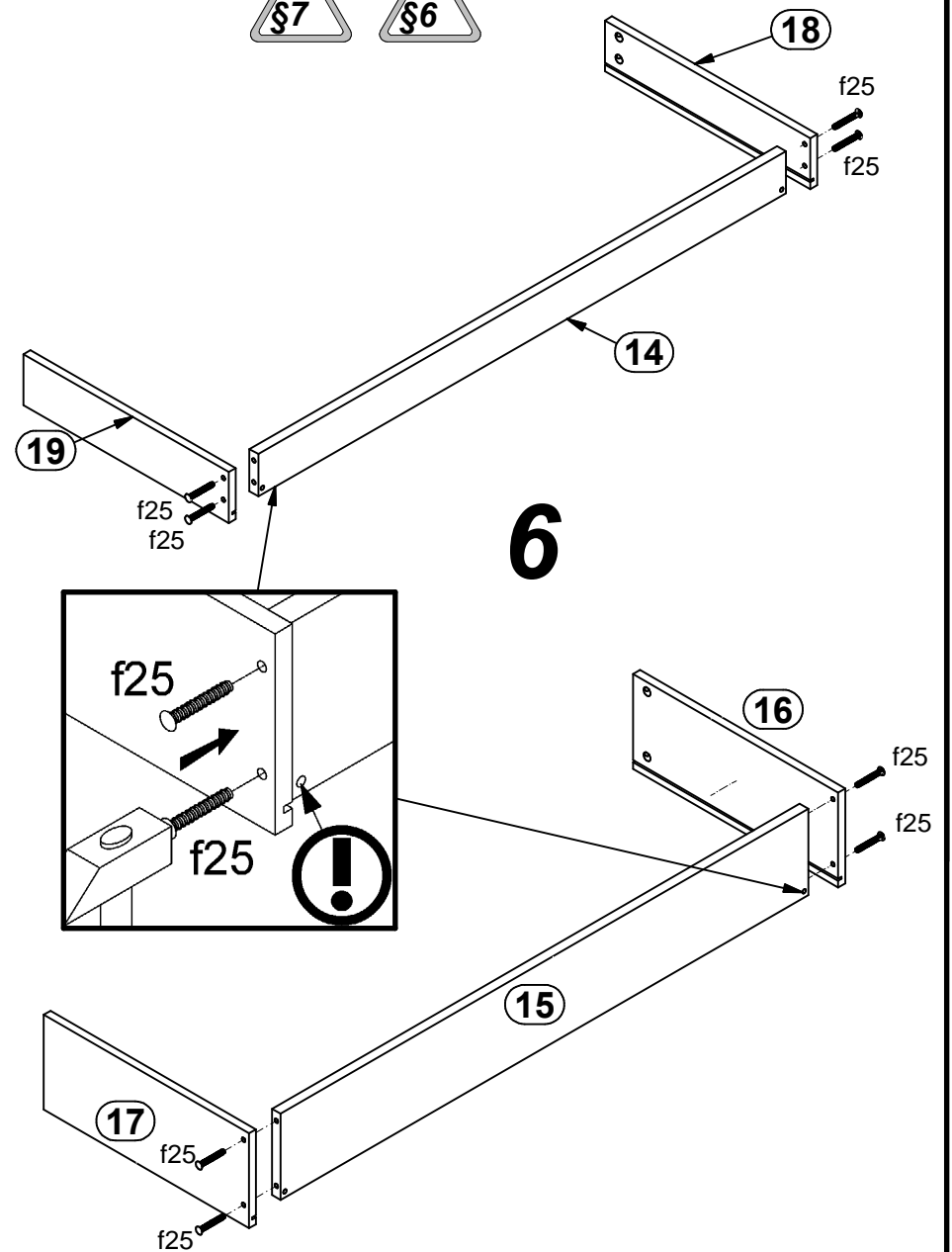
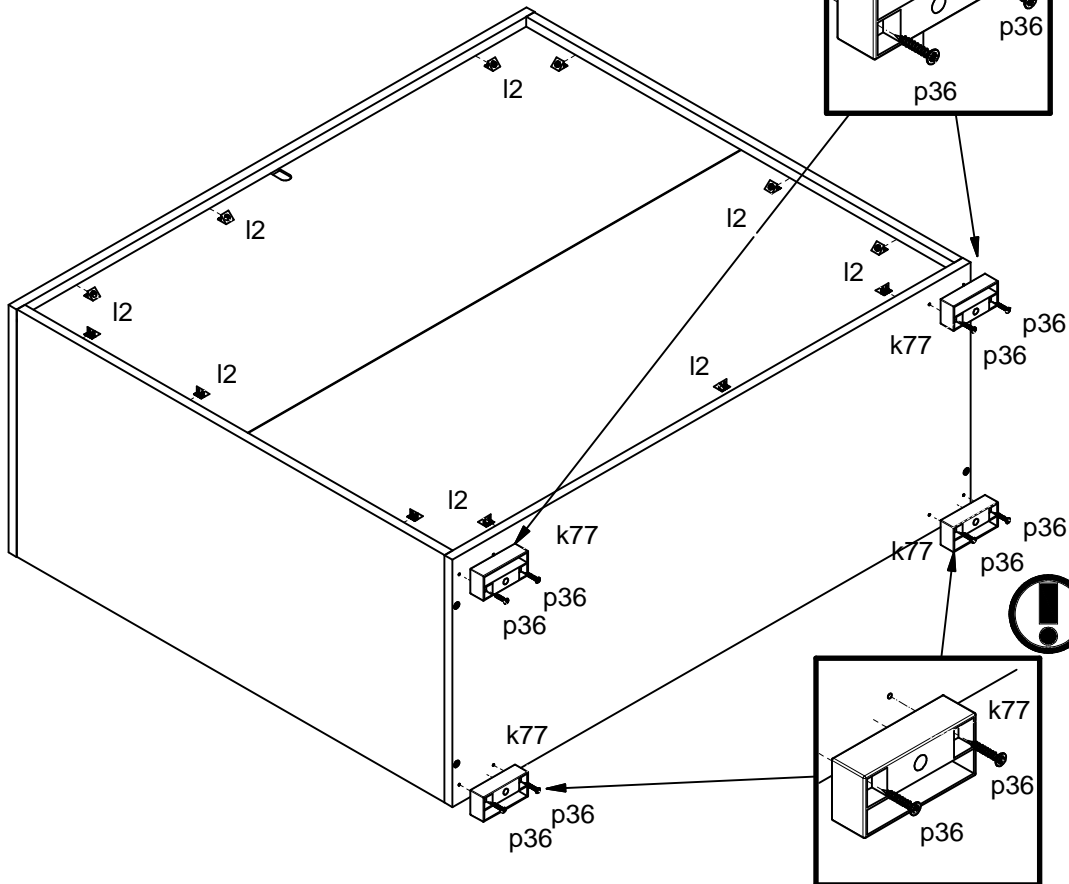


4



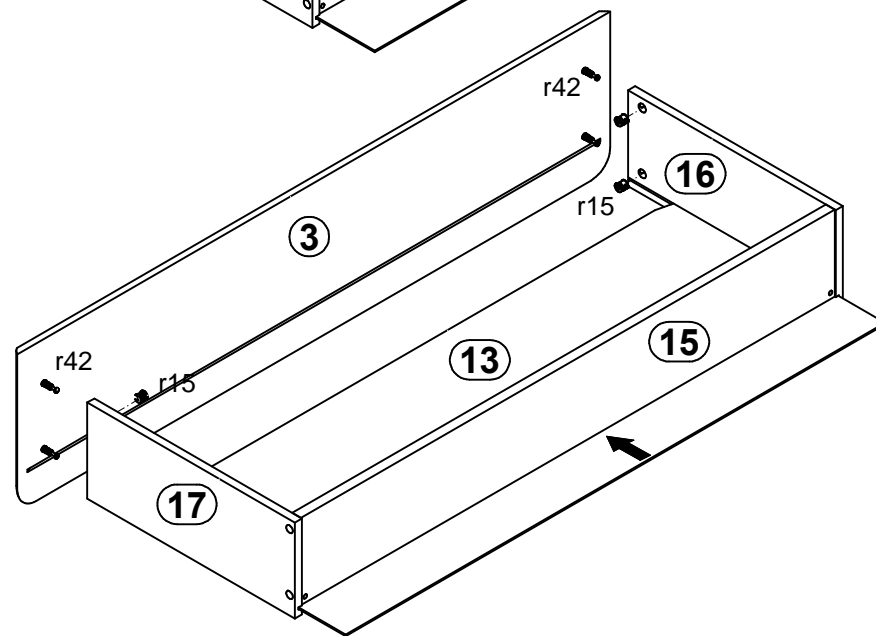
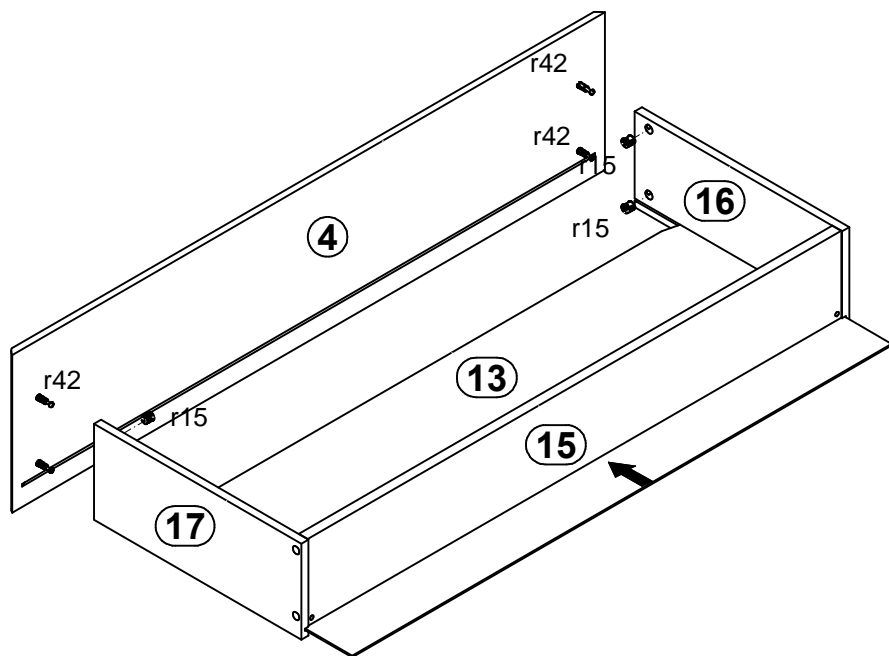
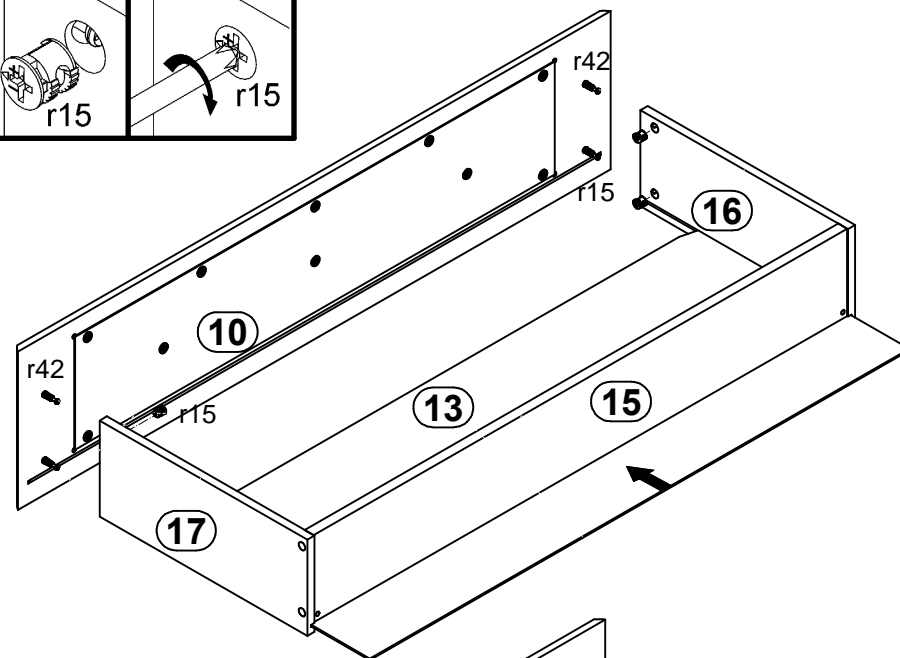
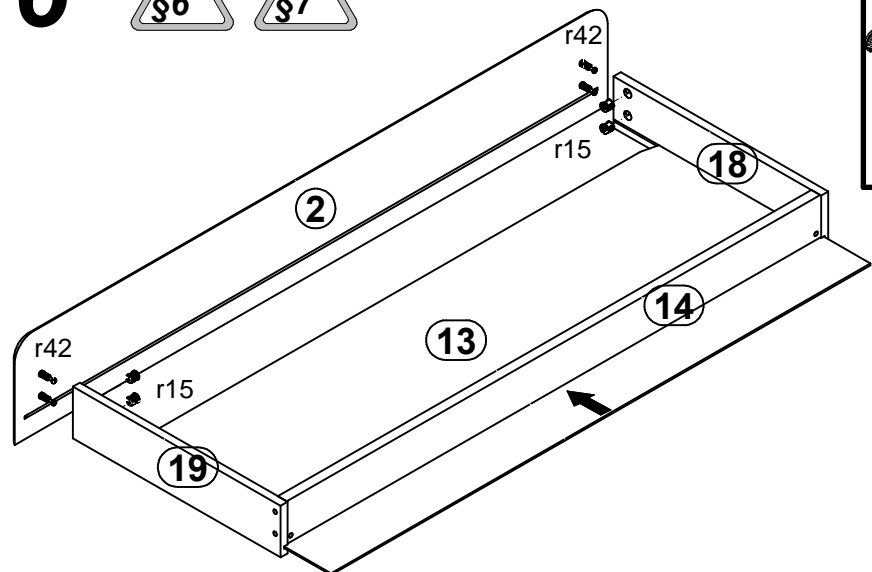
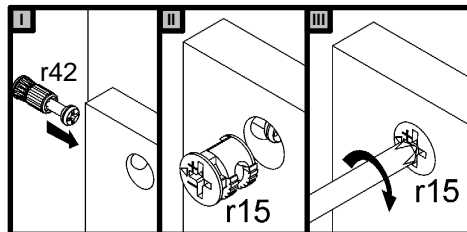


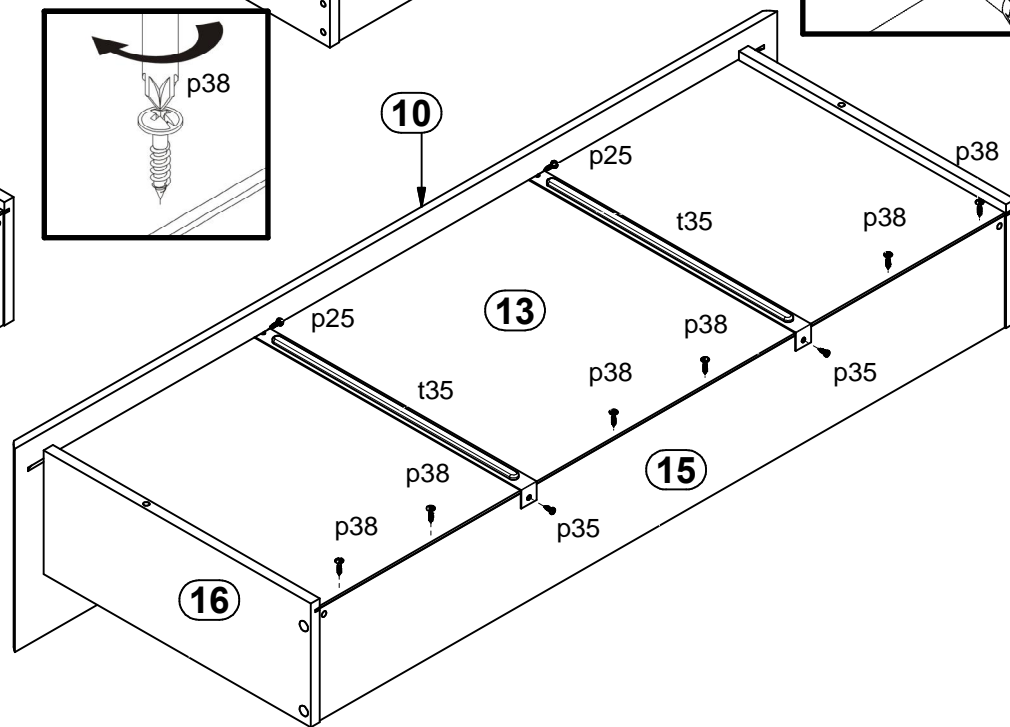
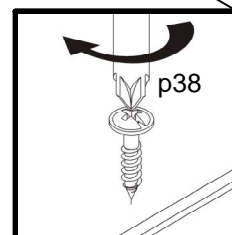
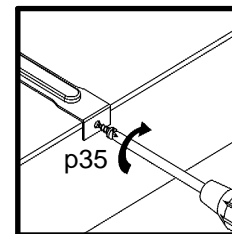
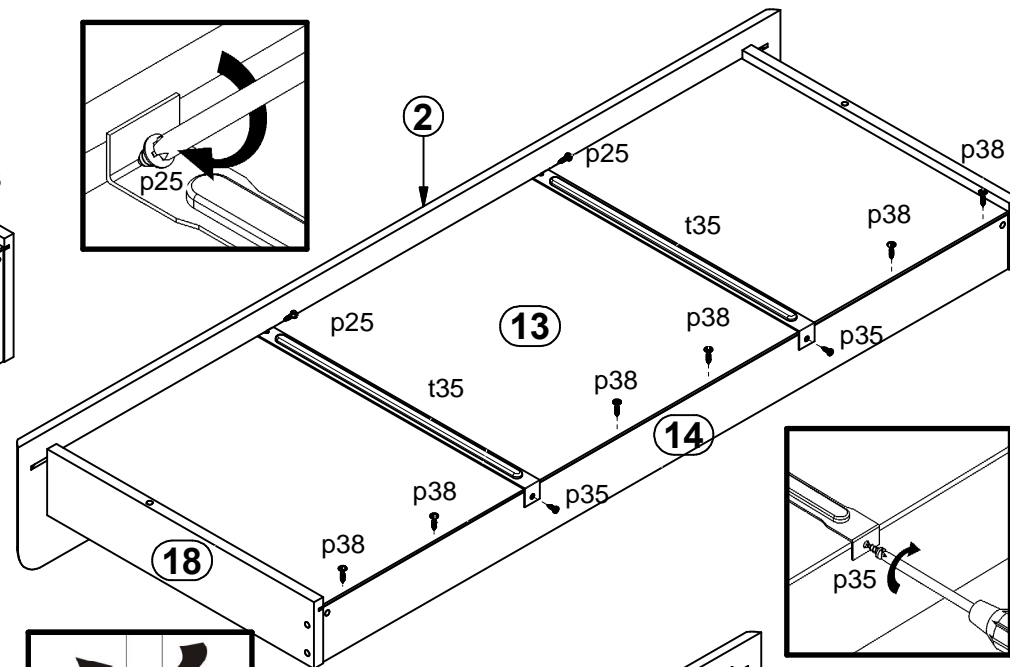
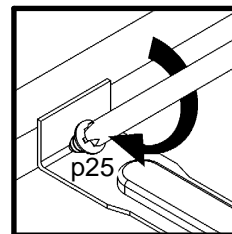
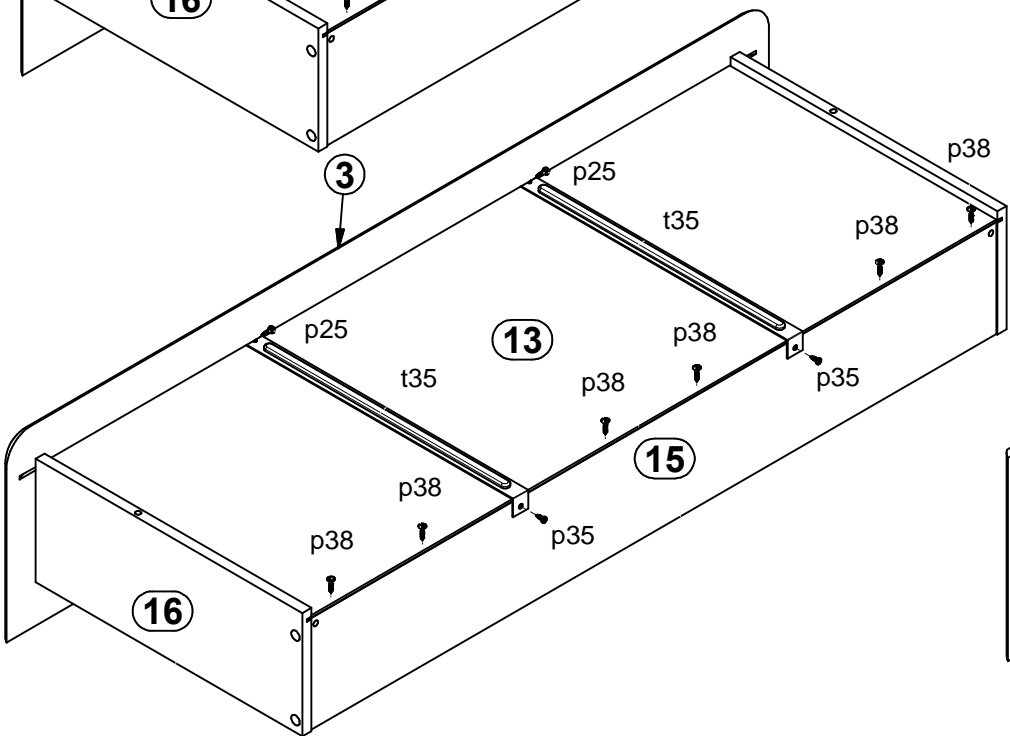
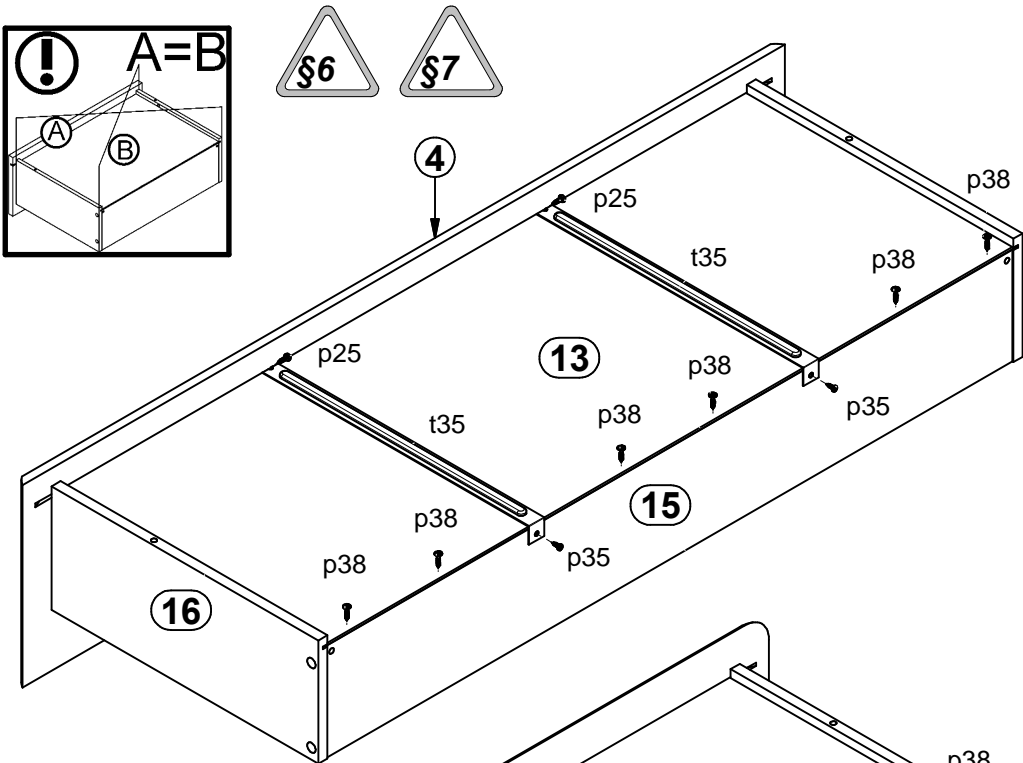
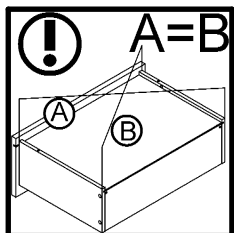
5

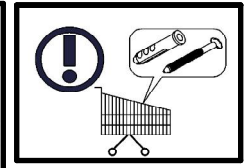
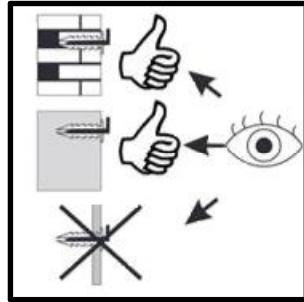
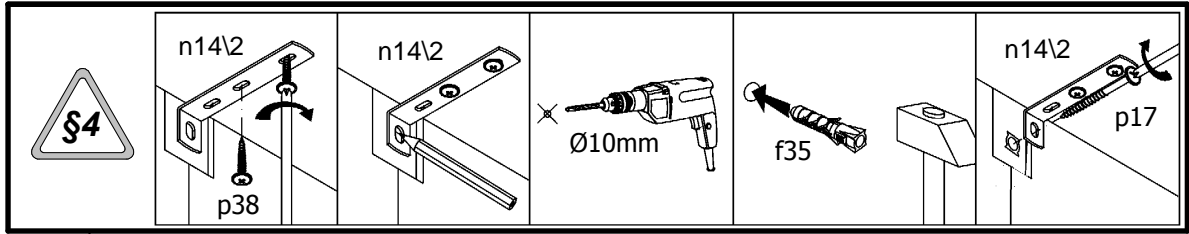


6

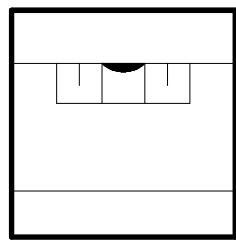
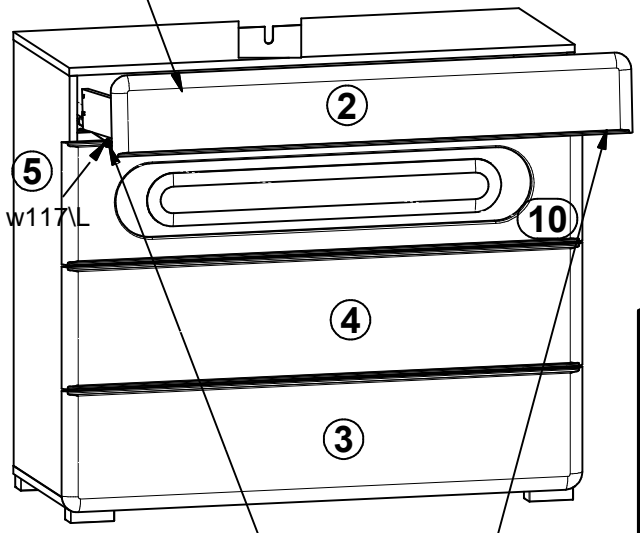
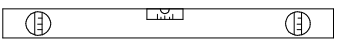
6







7



8

