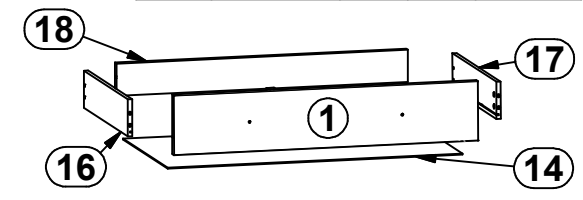
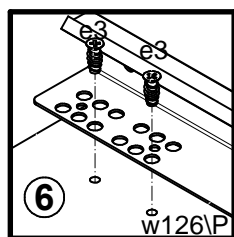
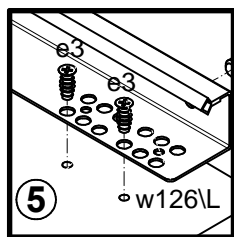
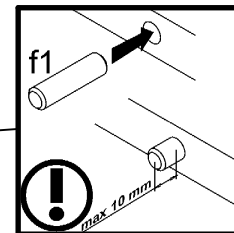
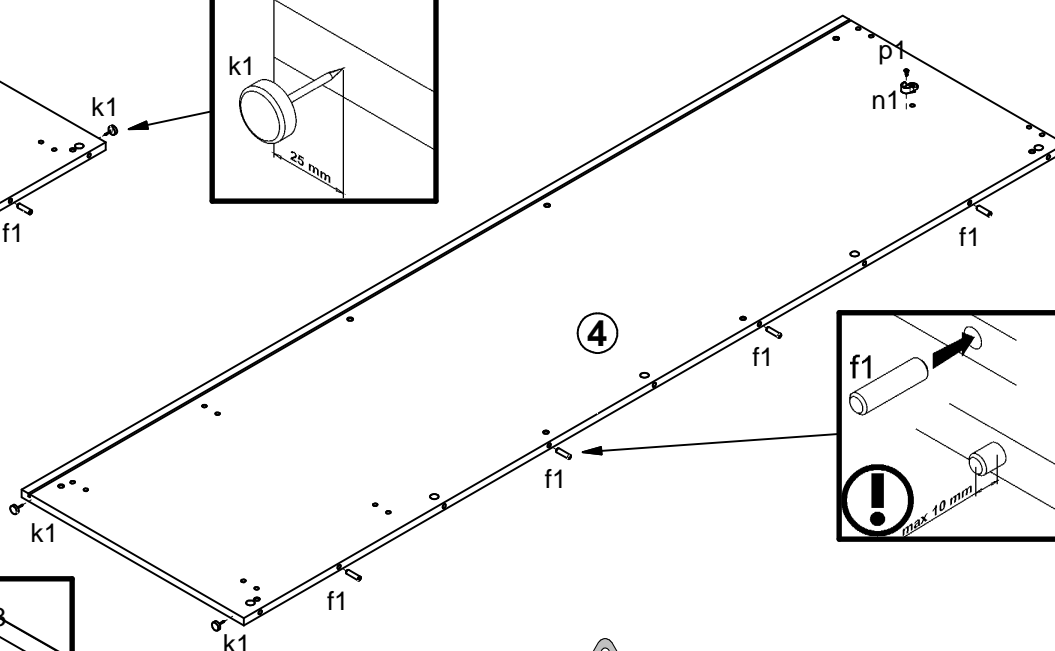
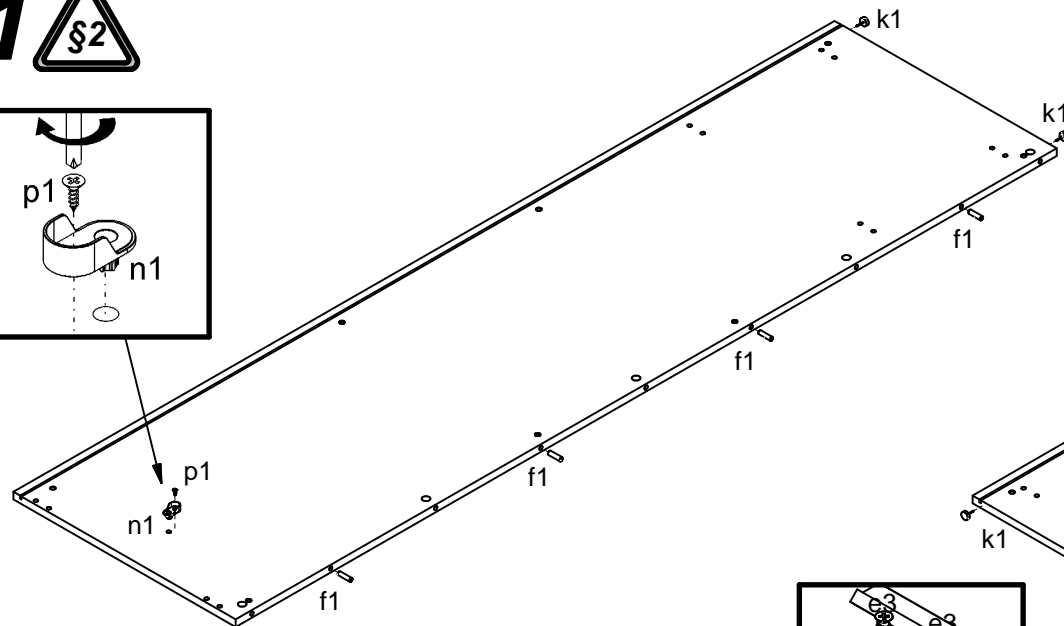
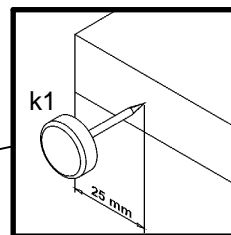
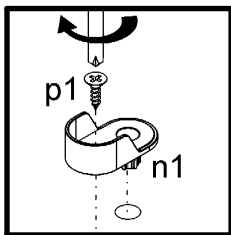


| A | B | C (mm) | D |
|----|-----------|--------|-----|
| 1 | M143-006 | 834 | 160 |
| 2 | S214-016 | 1599 | 415 |
| 3 | S214-134 | 2000 | 541 |
| 4 | S214-135 | 2000 | 541 |
| 5 | S214-136 | 305 | 521 |
| 6 | S214-137 | 305 | 521 |
| 7 | S214-210 | 1010 | 570 |
| 8 | S214-323 | 922 | 521 |
| 9 | S214-324 | 922 | 521 |
| 10 | S214-5503 | 2000 | 80 |
| 11 | S214-5504 | 2000 | 58 |
| 12 | S214-5532 | 2000 | 80 |
| 13 | S214-5533 | 2000 | 80 |
| 14 | S214-915 | 809 | 458 |
| 15 | S214-9903 | 1926 | 933 |
| 16 | WSQ2-509 | 450 | 100 |
| 17 | WSQ2-510 | 450 | 100 |
| 18 | WTQ-5007 | 799 | 87 |
| 19 | dr-915 | 915 | 30 |

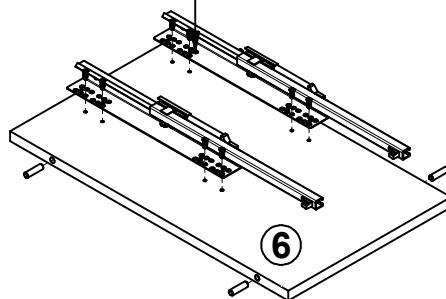
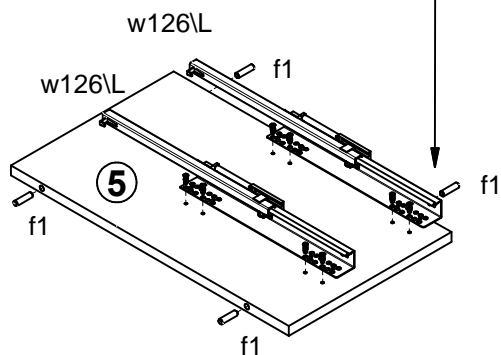
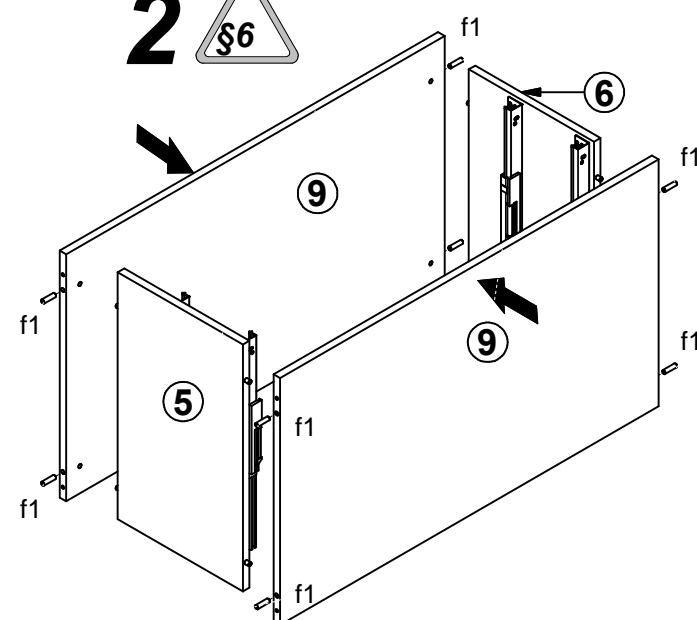


| | | | | | | | | | | | | |
|-----------------------------|-----------------------------|------------------------------|------------------------------|--------------------------------|----------------------------------|----------------------------|---------------------------|-----------------------------|-------------------------|-----------------------------------|-----------------------------------|--------------------------|
| 6x a99 | 6x b43 | 6x c390 | 12x Ø7x50 mm e1 | 12x Ø6,3x13 mm e2 | 16x Ø6x13 mm e3 | 20x Ø7x28 mm e22 | 28x Ø8x30 mm f1 | 8x Ø6,5x40 mm f25 | 4x k1 | 27x l1 | 12x l2 | 6x Ø4x30 mm p9 |
| 2x Ø3,5x16 mm p25 | 2x Ø3,5x10 mm p35 | 16x Ø3,5x16 mm p38 | 12x Ø3,5x15 mm p51 | 10x Ø15x12 mm #16 r1 | 8x Ø12x10,5 mm #12 r15 | 18x r42 | 16x s1 | 8x Ø16 s2 | 2x 450 mm t38 | 2x 450 mm W126/P W126/P | 2x 450 mm W126/L W126/L | 1x z1 |
| 1x n2611 | 1x Ø3,5x16 mm p38 | 4x silikon o21 | 2x n1 | 2x Ø3,5x13 mm p1 | | | | | | | | |

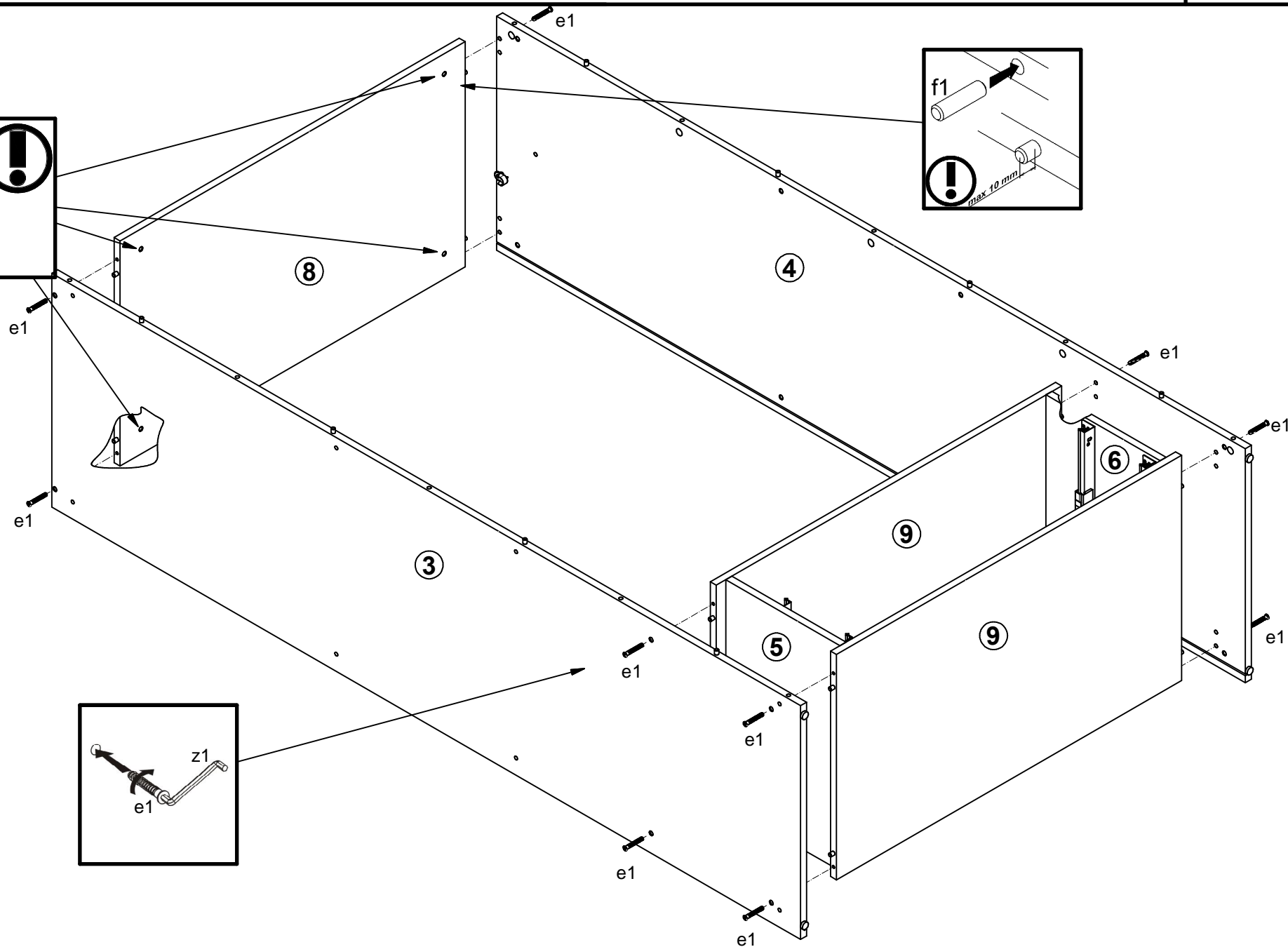
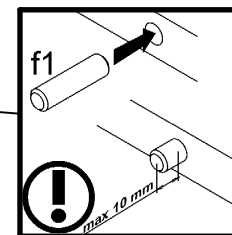
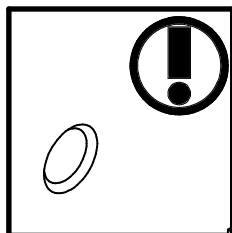
1 §2



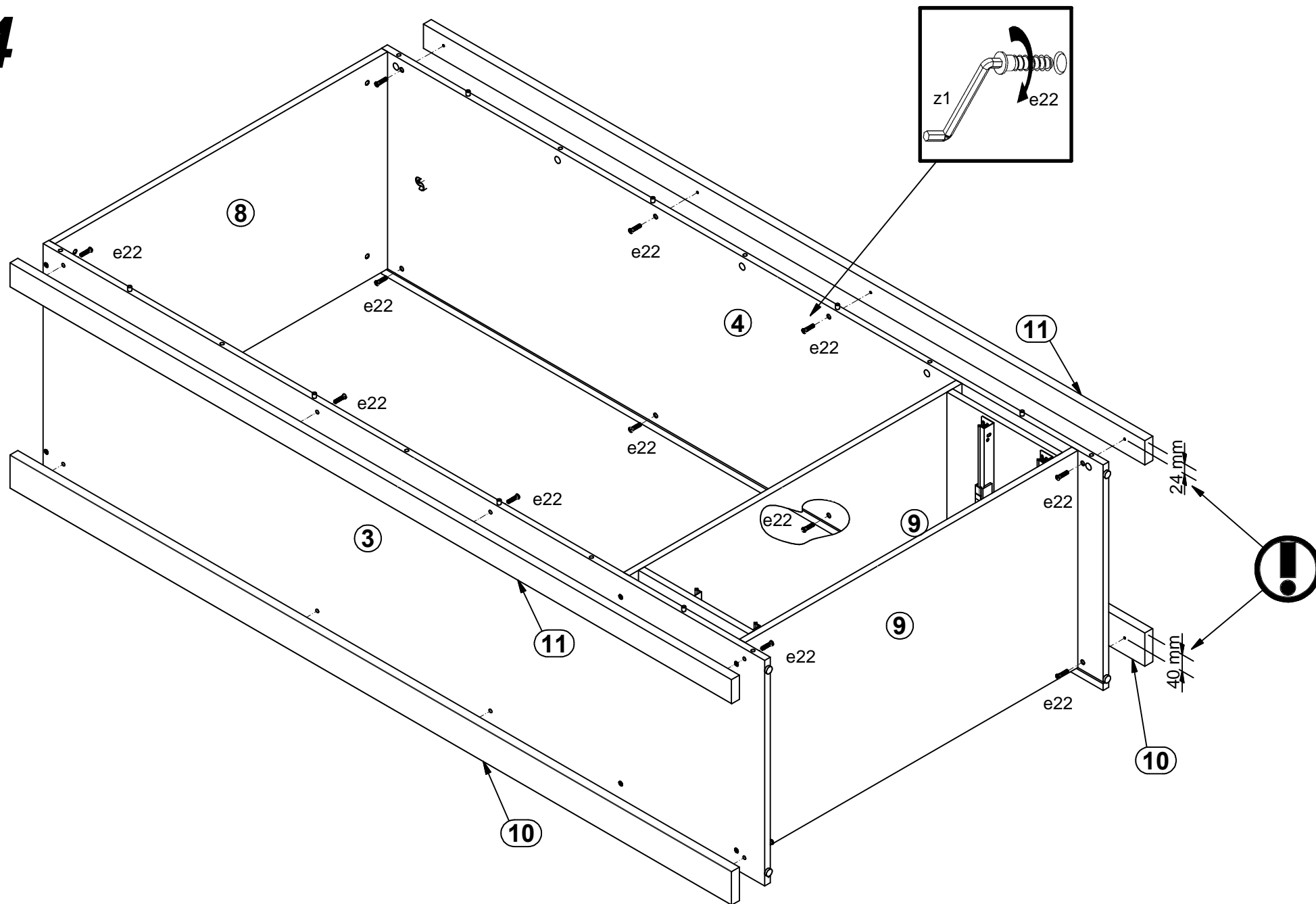
2 §6



3



4



5

12

13

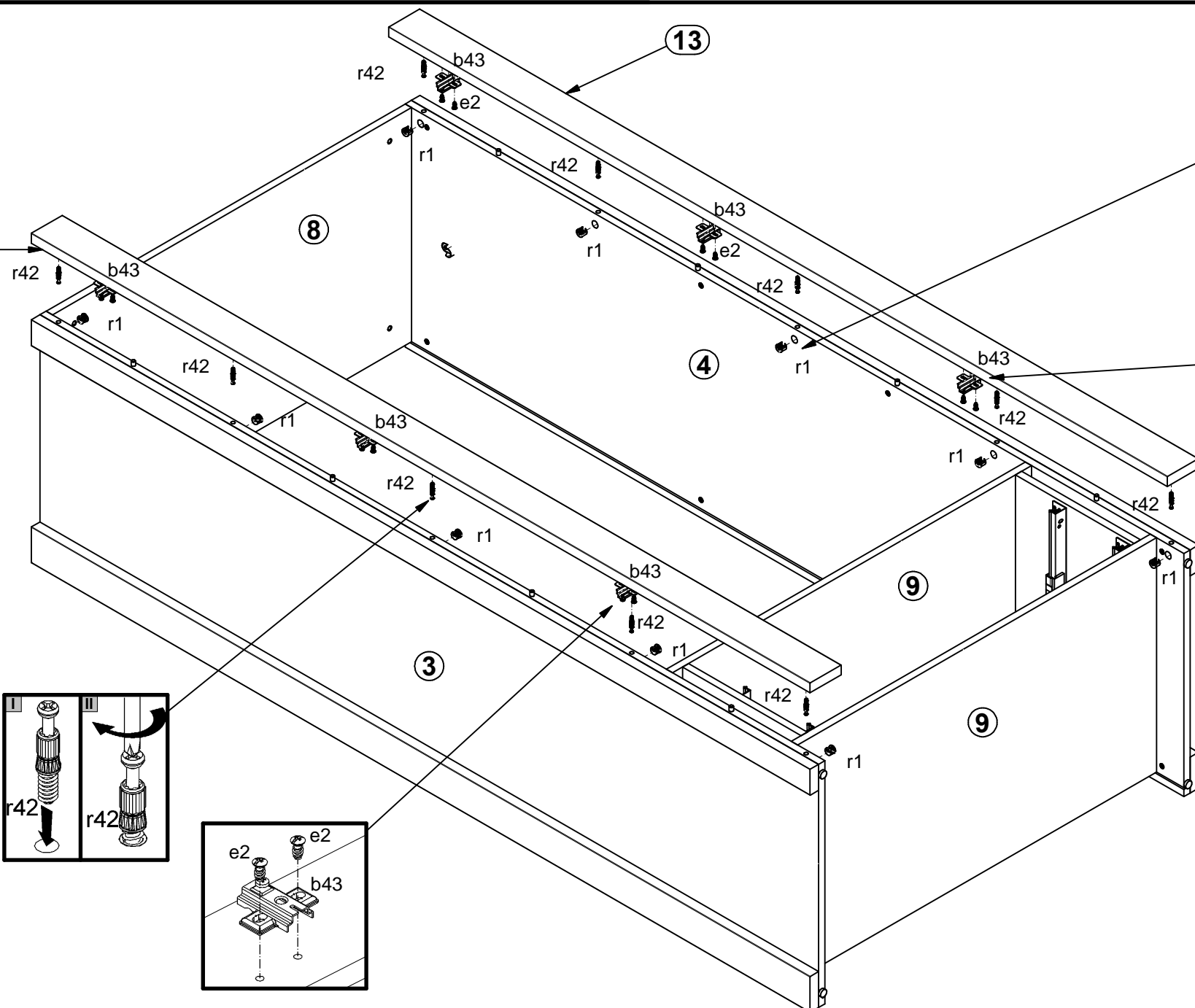
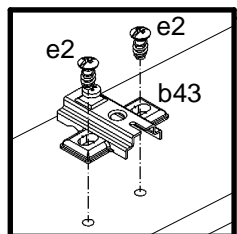
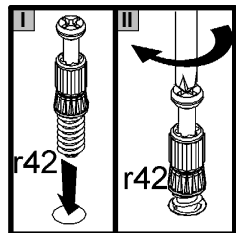
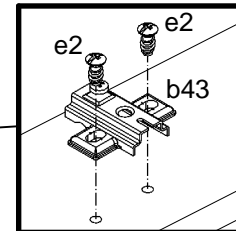
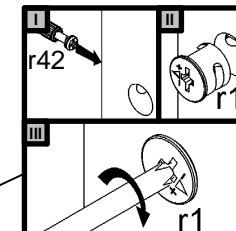
8

4

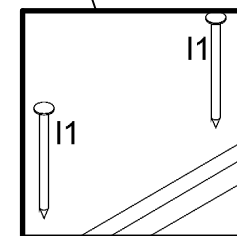
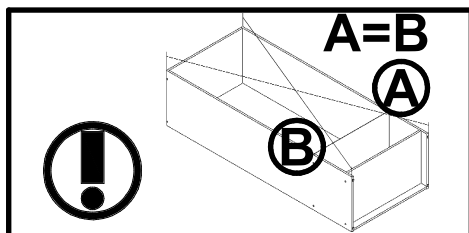
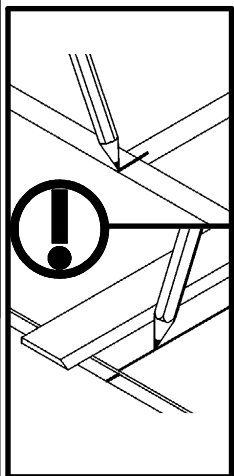
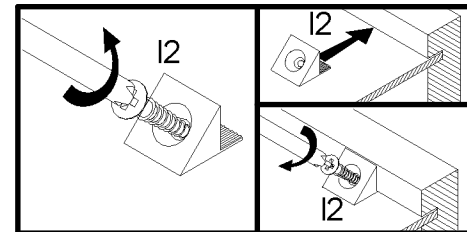
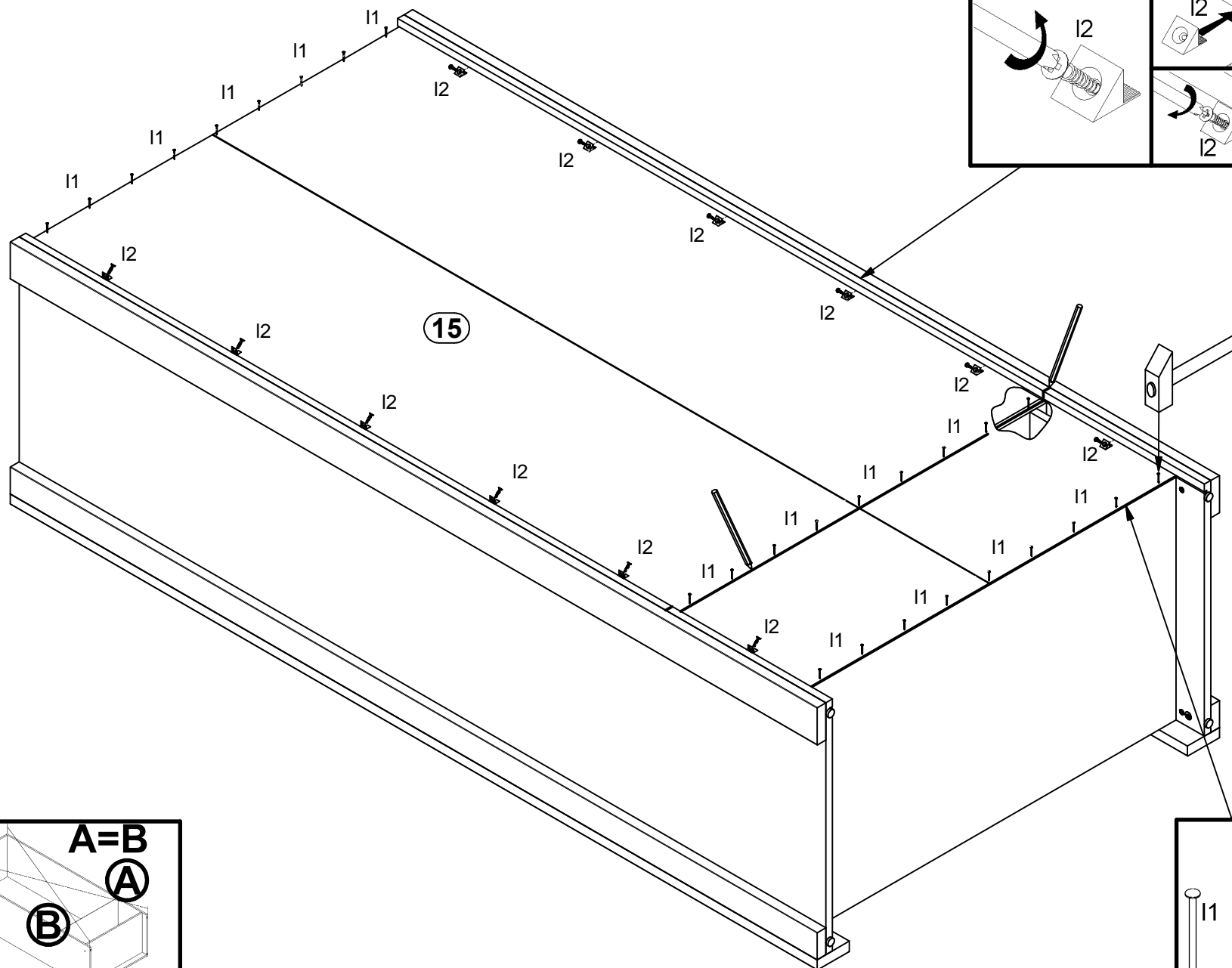
3

9

9

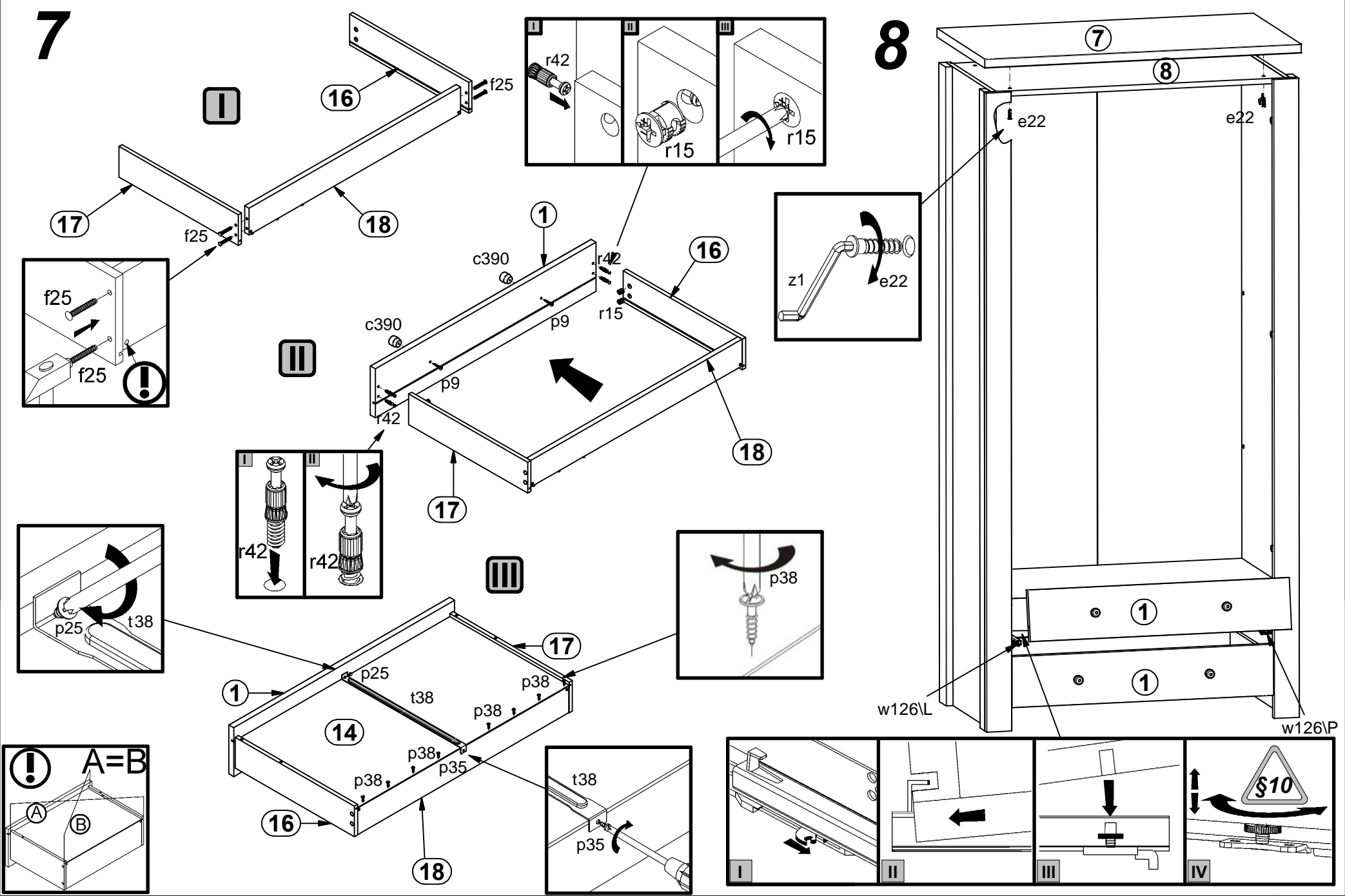


6



7

8



9 §10

