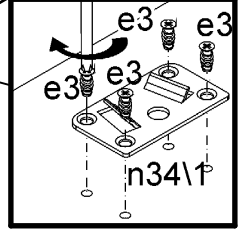
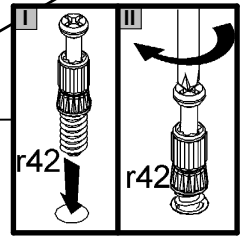
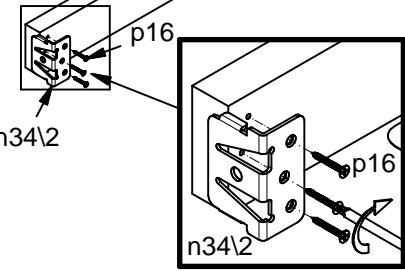
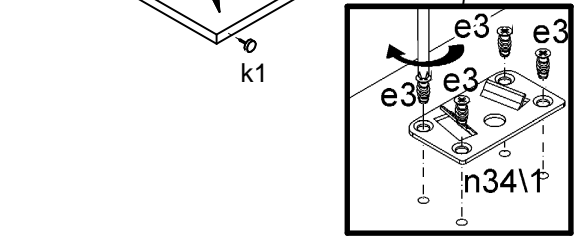
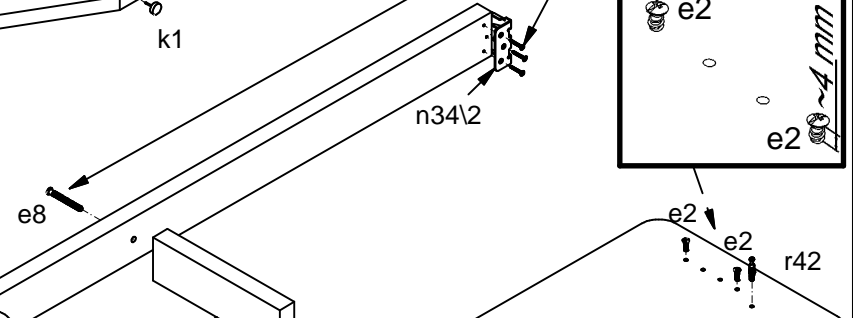
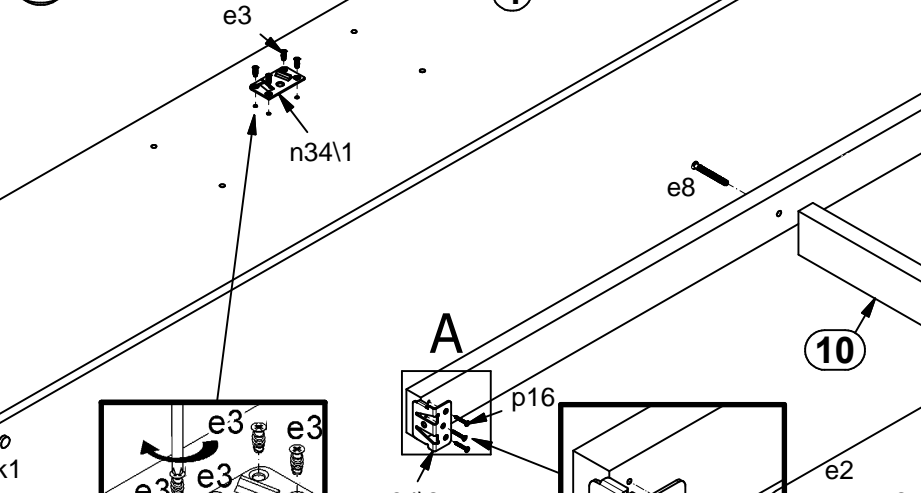
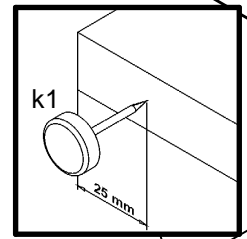
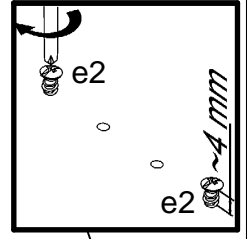
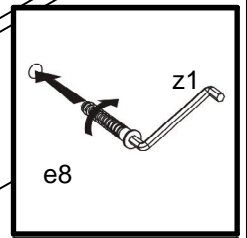
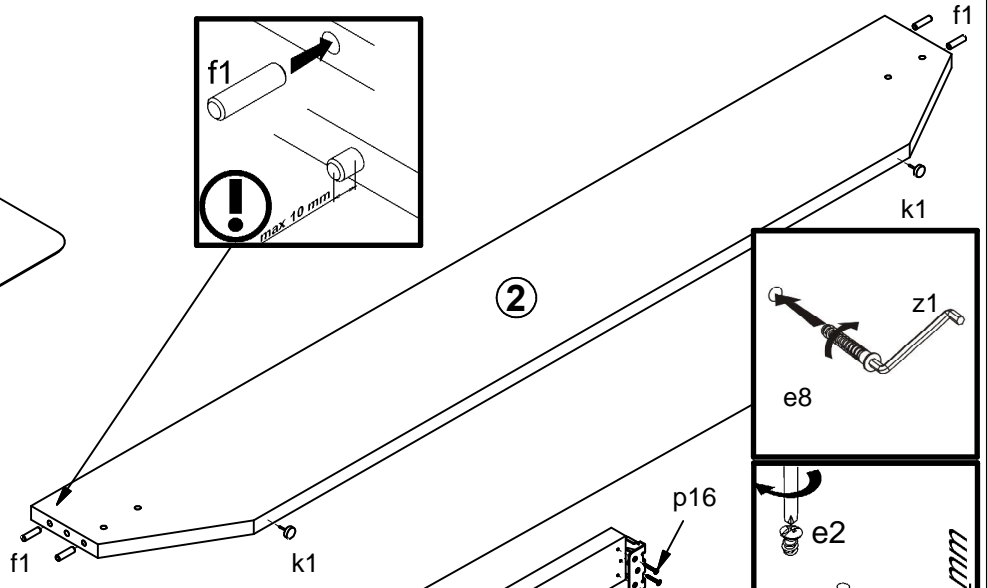
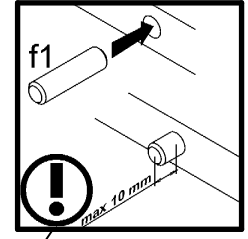
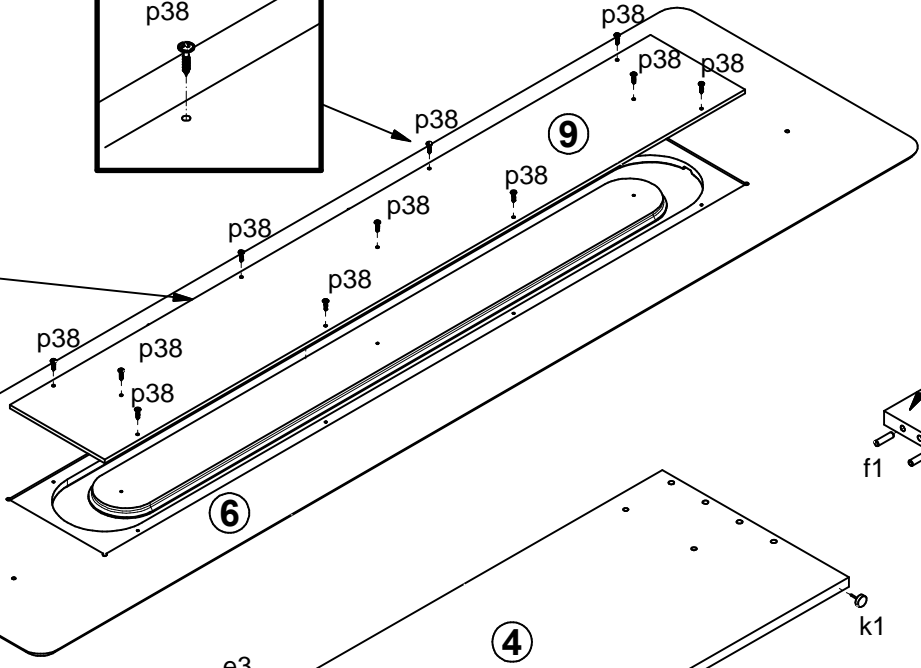
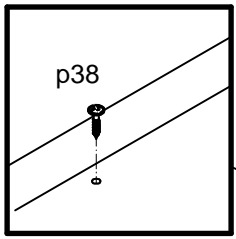
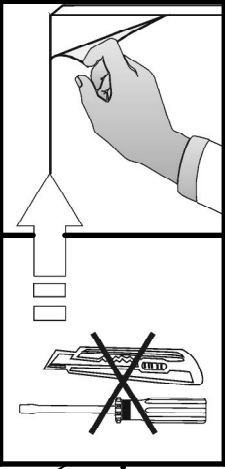


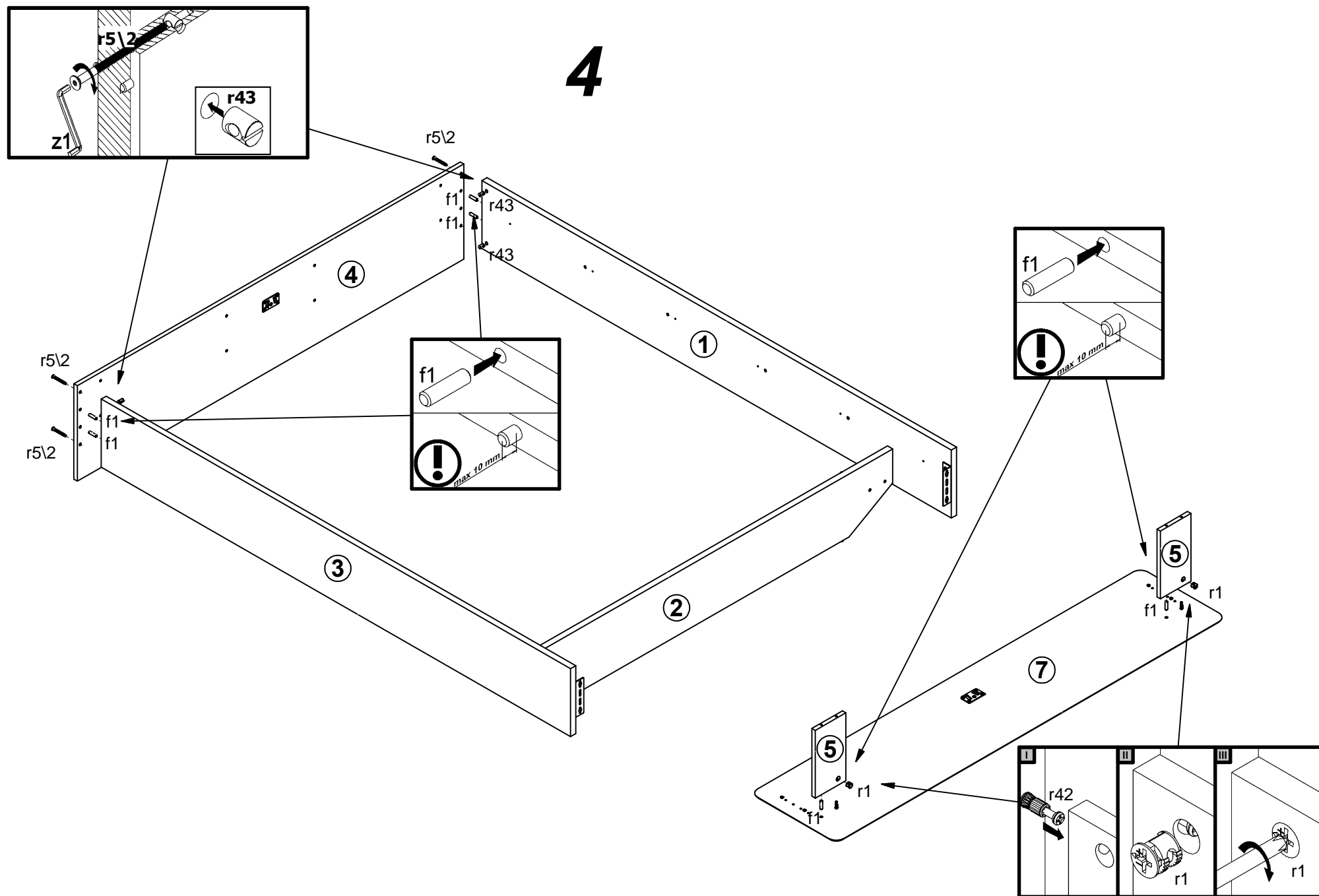
A	B	C (mm)		D
1	S504-1034	2000	250	2/3
2	S504-1035	1600	232,	1/3
3	S504-1036	2000	250	2/3
4	S504-4004	1646,	350	1/3
5	S504-4006	250	130	2/3
6	S506-7010	470	1662	3/3
7	S506-7011	366	1662	3/3
8	S506-7012	100	1042	3/3
9	S506-7013	1200	178	3/3
10	ZZ1-416	238	70	2/3
11	ZZ1-501	1872,	1578,	1/1
12	ZZ1-719	1983	70	2/3
13	ZZ1-747	1880	25	2/3
14	n64			1/3

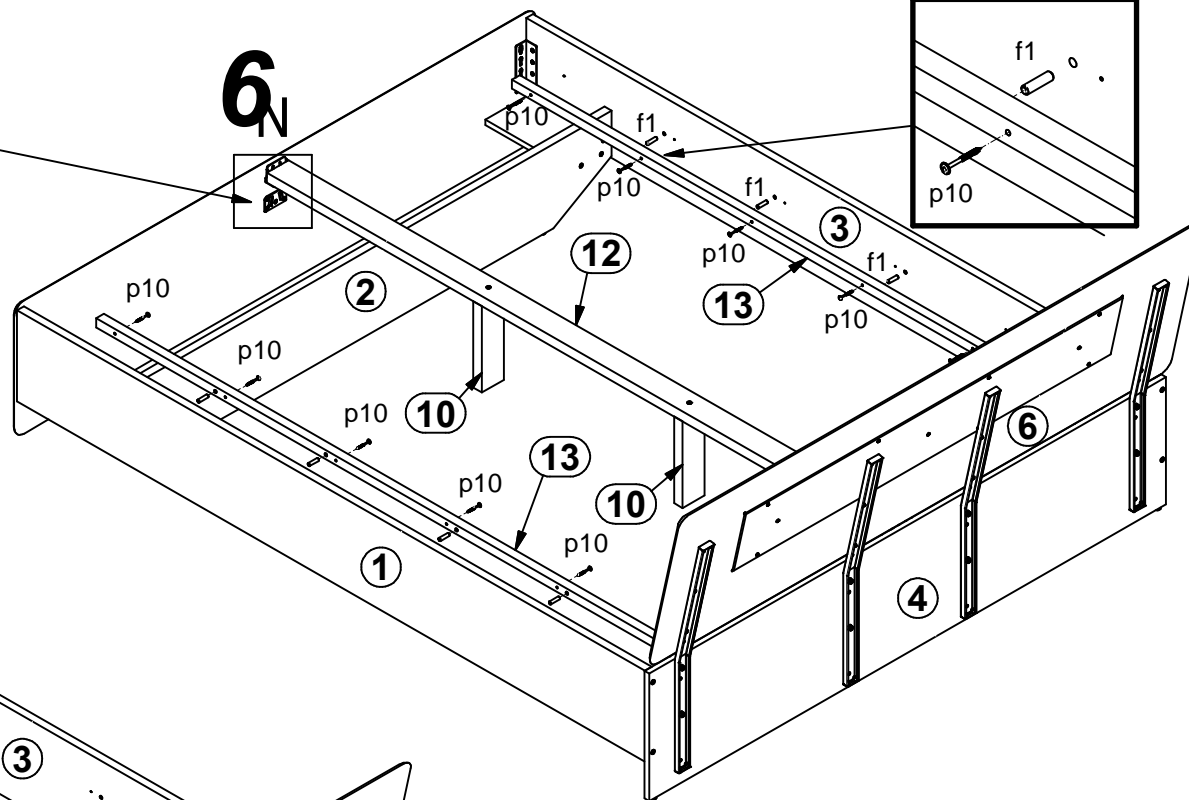
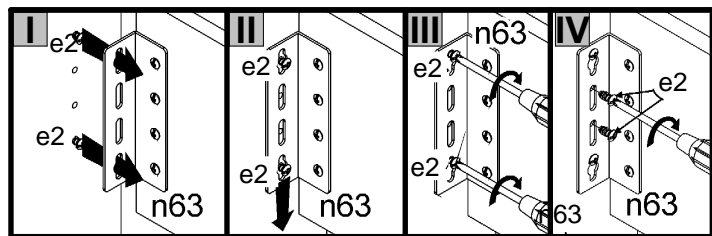
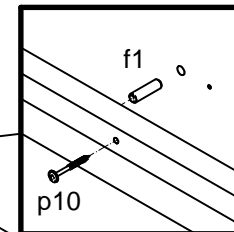
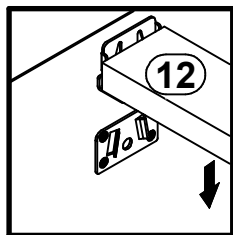


4x Ø7x50 mm e1	14x Ø6,3x13 mm e2	8x Ø6x13 mm e3	8x Ø6,3x16 mm e7	2x Ø7x60 mm e8	4x Ø6,3x20 mm e17	18x Ø8x30 mm f1	8x M6 j10	8x Ø6x25 mm j145	4x k1	2x n3411	2x n3412	2x 130x34x34/2 mm n63
8x Ø6xØ12x1,4 mm o40	12x Ø4x40 mm p10	6x Ø3,5x25 mm p16	11x Ø3,5x16 mm p38	2x Ø15x12 mm #16 r1	2x Ø15x15 mm #22 r3	4x r42	4x Ø6x54 mm r51/2	4x Ø10x16 mm r43	4x Ø13xØ716 mm o81	6x Ø4x35 mm p6	1x z1	

1







5

