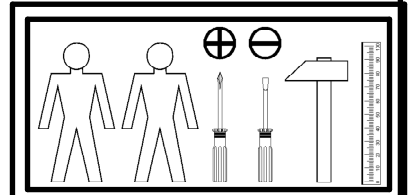
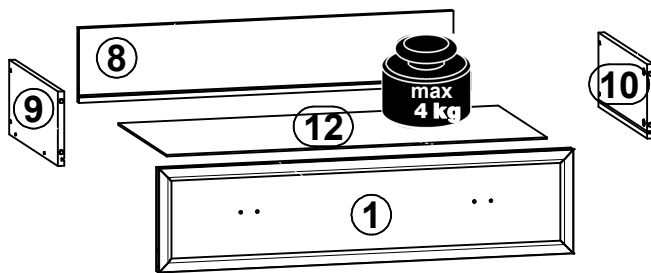
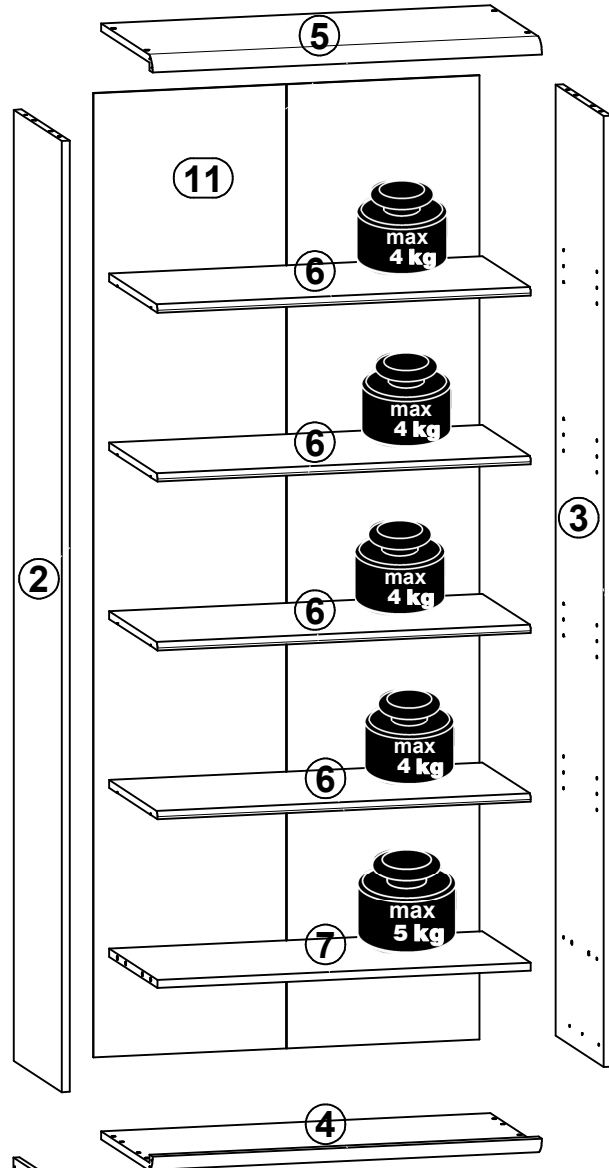
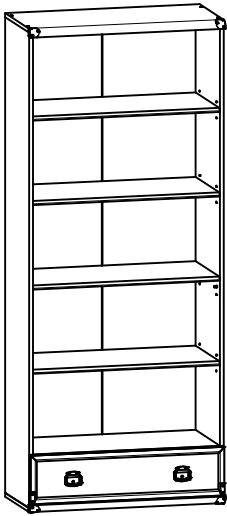
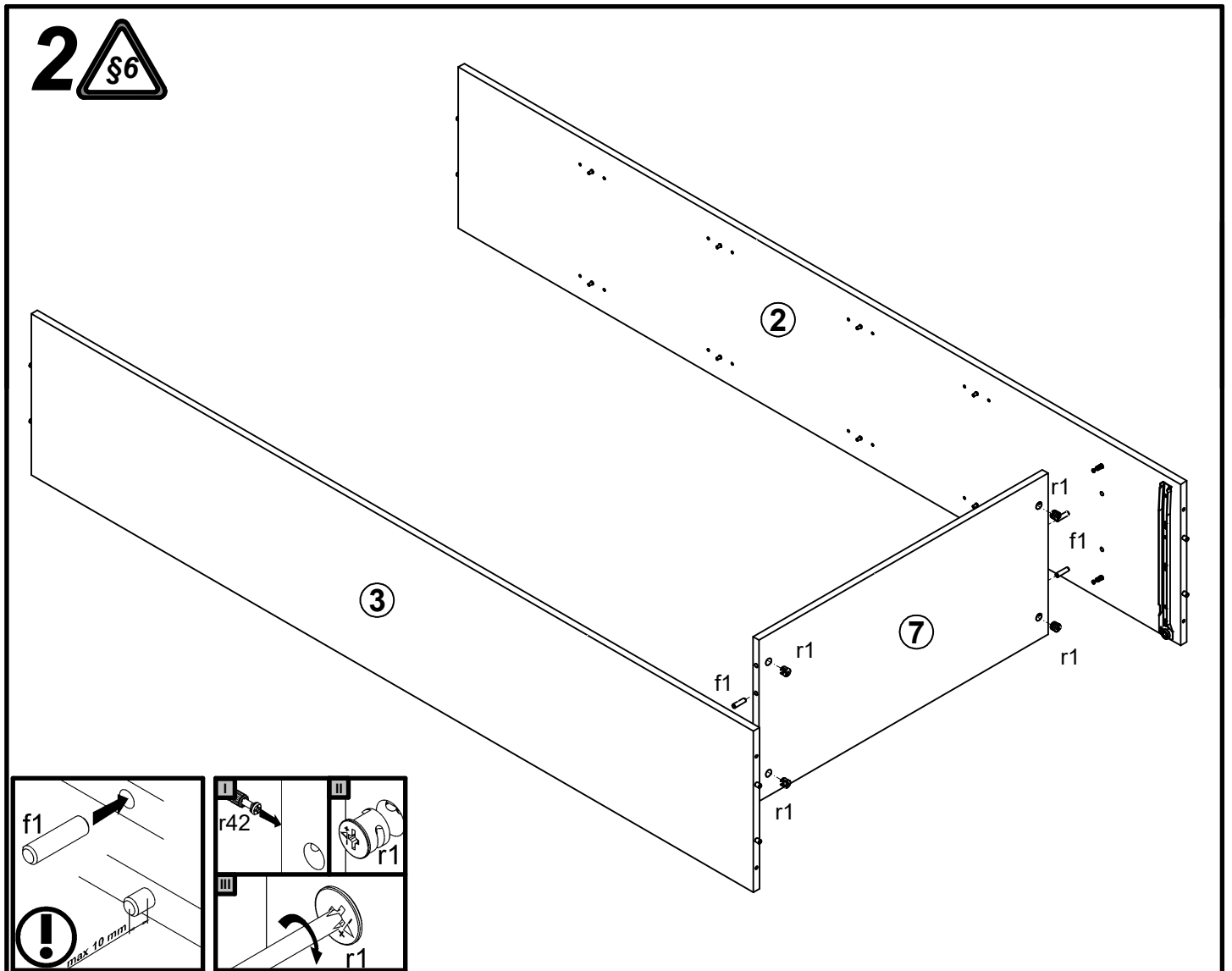
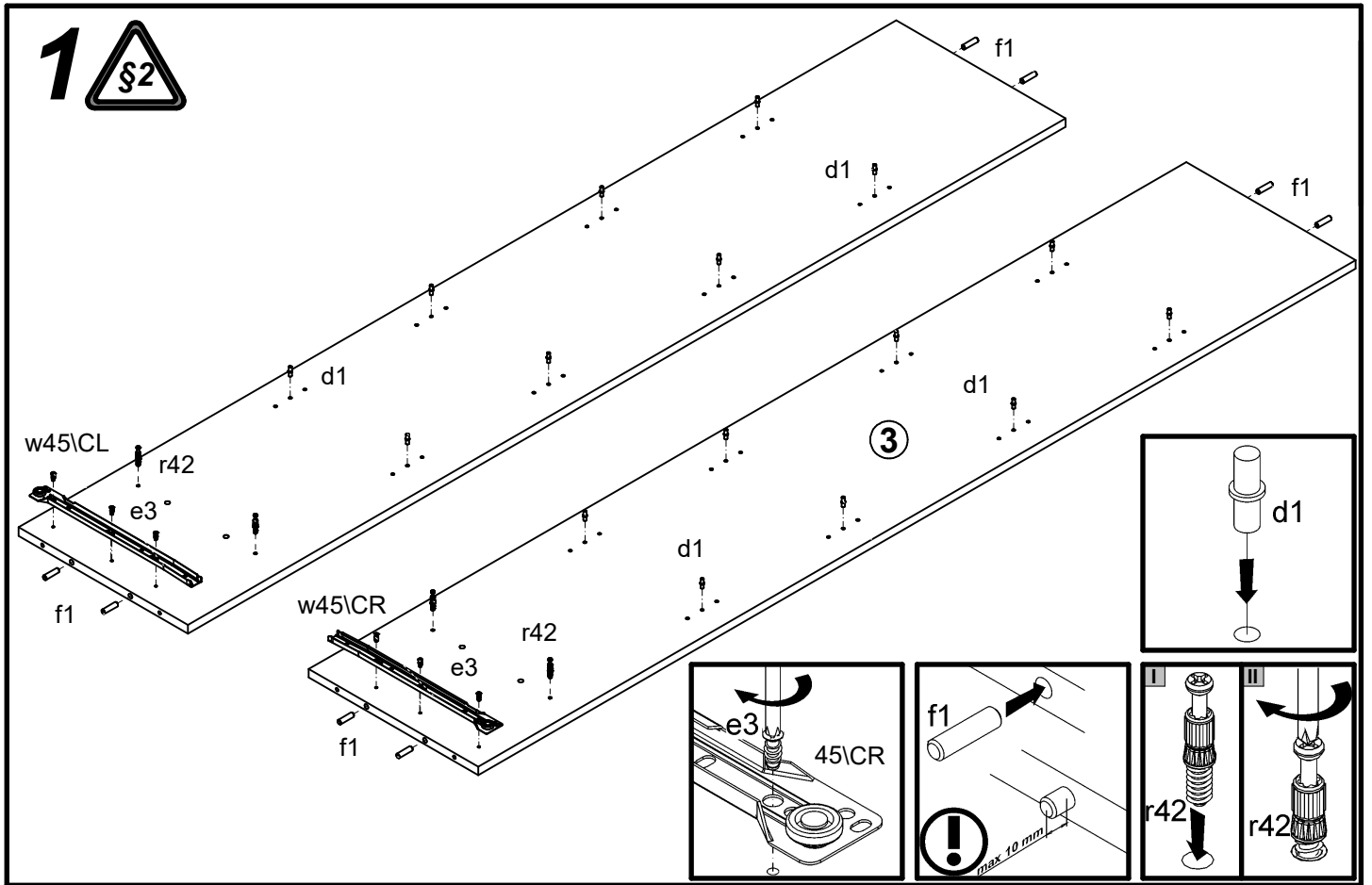
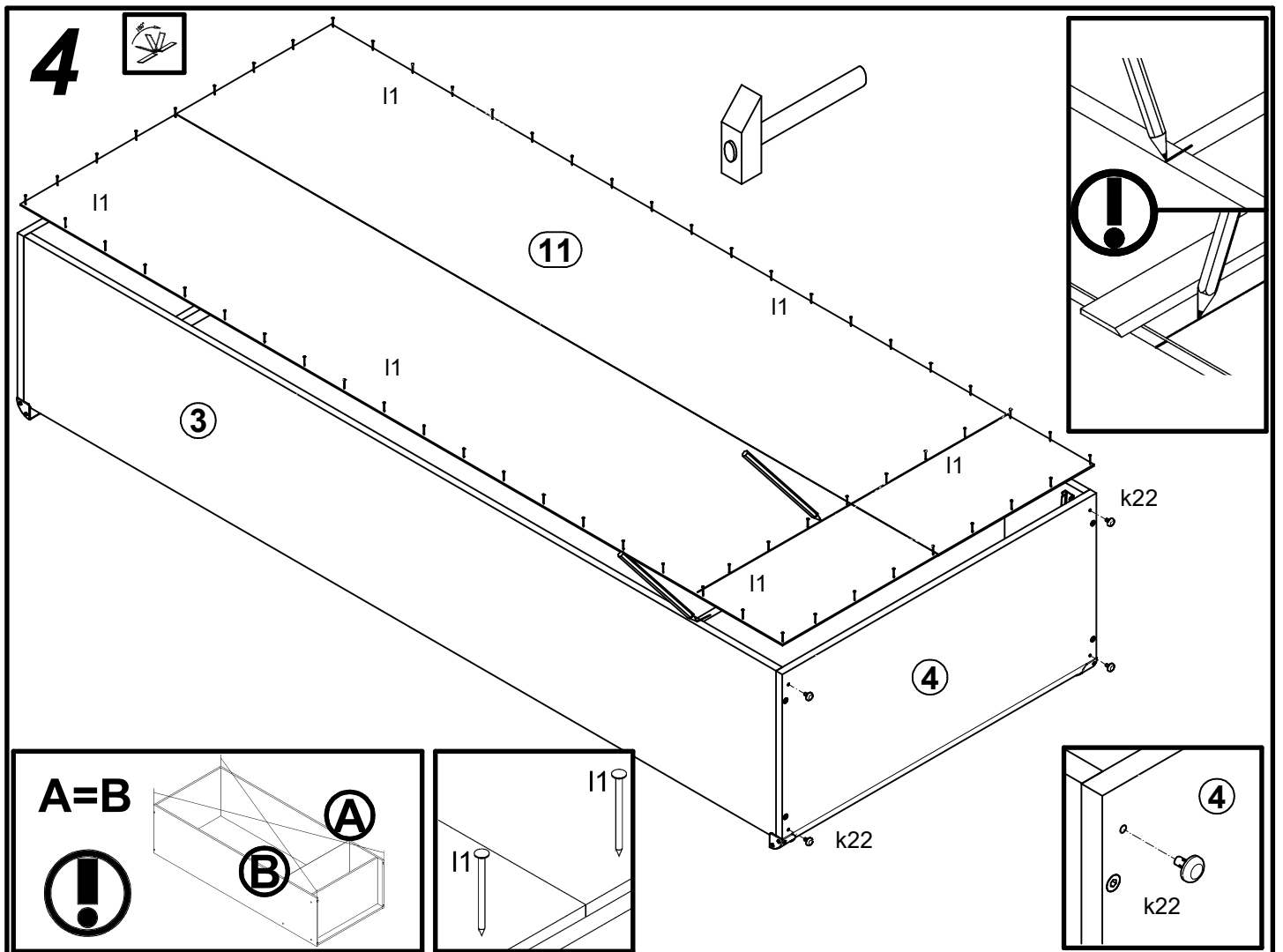
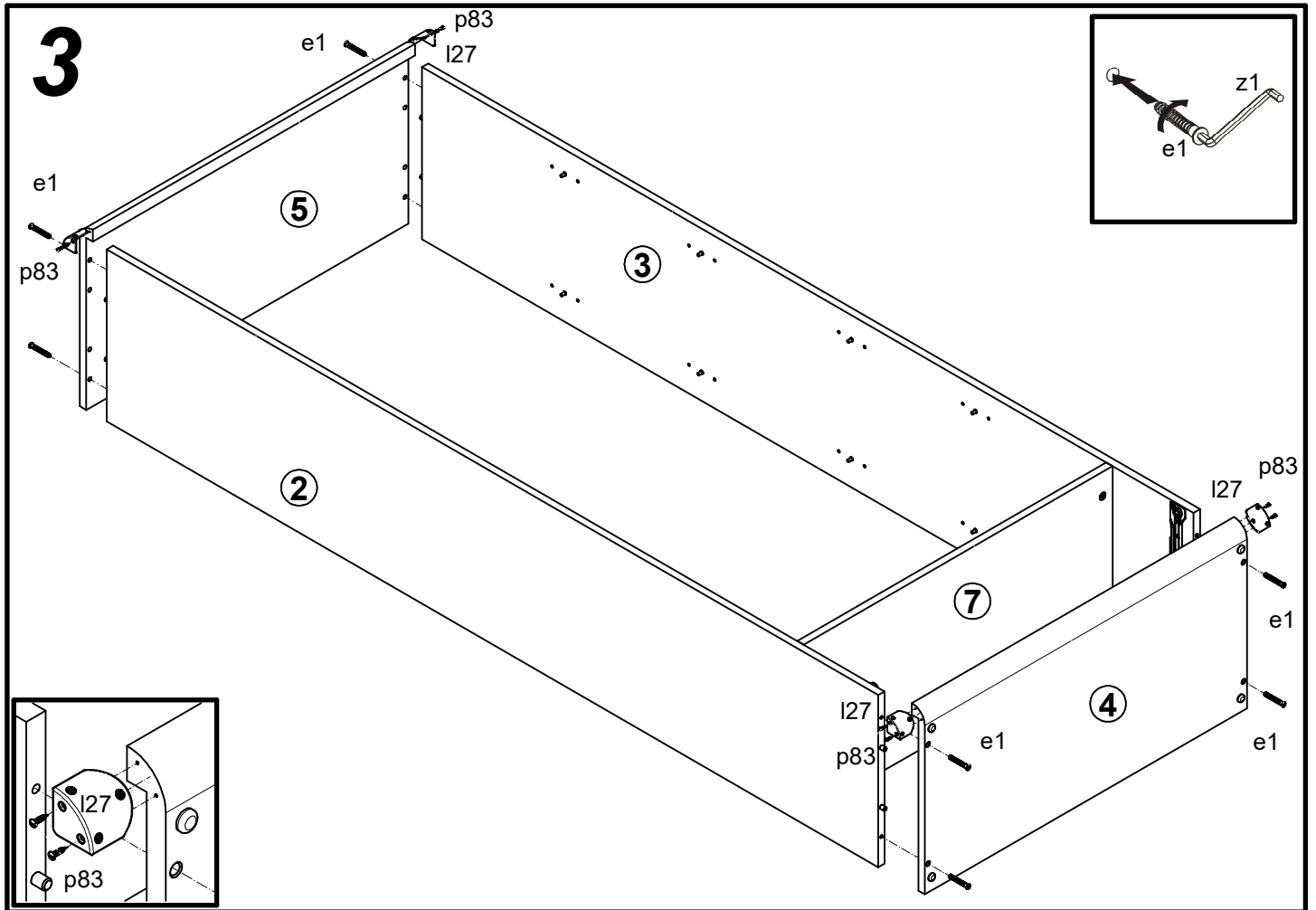


A	B	C	D	
1	S31-010	796	196	3/3
2	S31-117	1916	370	1/3
3	S31-118	1916	370	1/3
4	S31-207	800	395	2/3
5	S31-211	800	395	2/3
6	S31-305	767	370	1/3
7	S31-306	767	370	1/3
8	S31-503	718	140	1/3
9	S31-504	350	140	1/3
10	S31-505	350	140	1/3
11	S31-901	1942	793	1/3
12	S31-910	729	348	1/3



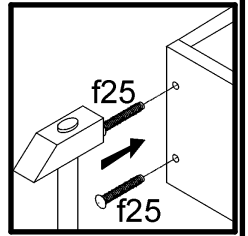
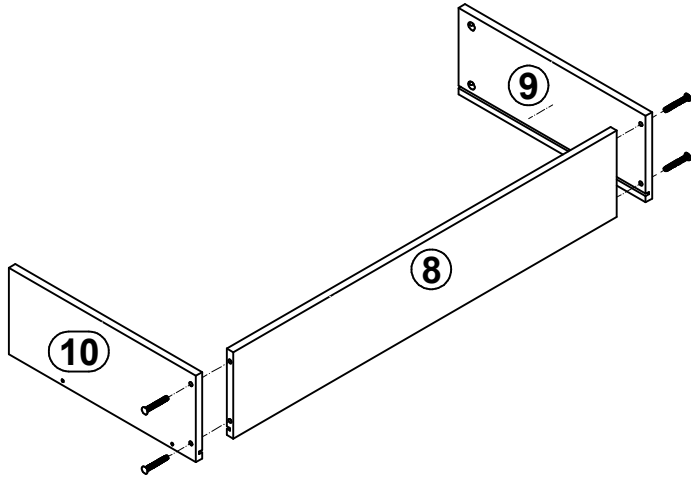
2x c158	16x d1 Ø5x17 mm	8x e1 Ø7x50 mm	6x e3 Ø6x13 mm	4x e19 Ø5x9 mm	12x f1 Ø8x30 mm	4x f25 Ø6.5x40 mm	4x j30 M4x22 mm	4x k22 Ø15
65x l1	4x l27	1x l28/L	1x l28/P	2x p25 Ø3.5x16 mm	12x p83 Ø3x12 mm	4x r1 Ø15x12 mm #16	4x r15 Ø12x10.5 mm #12	8x r42 20/11
1x t19 333 mm	1x w45/CL 350 mm	1x w45/CR 350 mm	1x w45/DL 350 mm	1x w45/DR 350 mm	1x z1 4 mm	1x n26/1	1x p38 Ø3.5x16 mm	



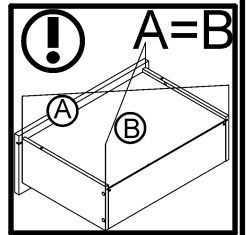
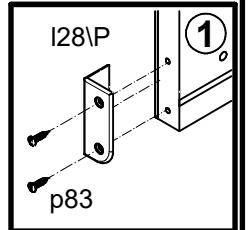
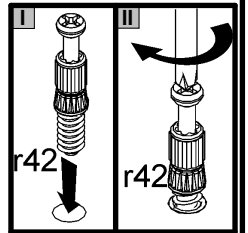
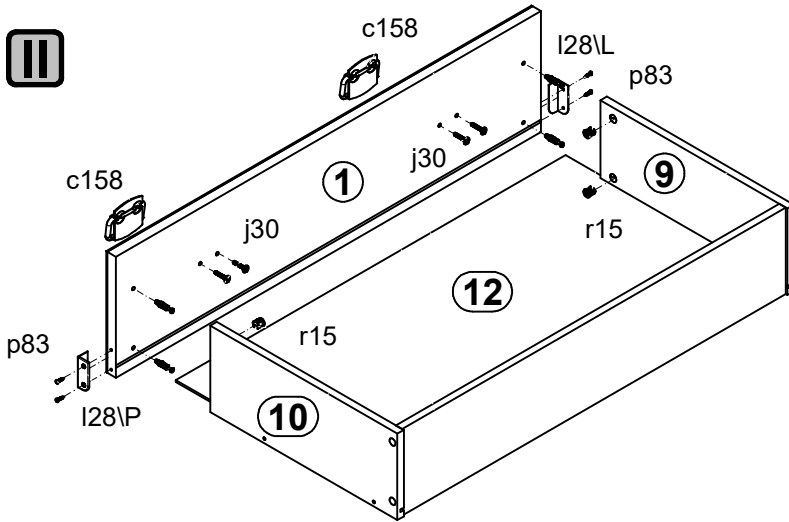


5

I



II



III

